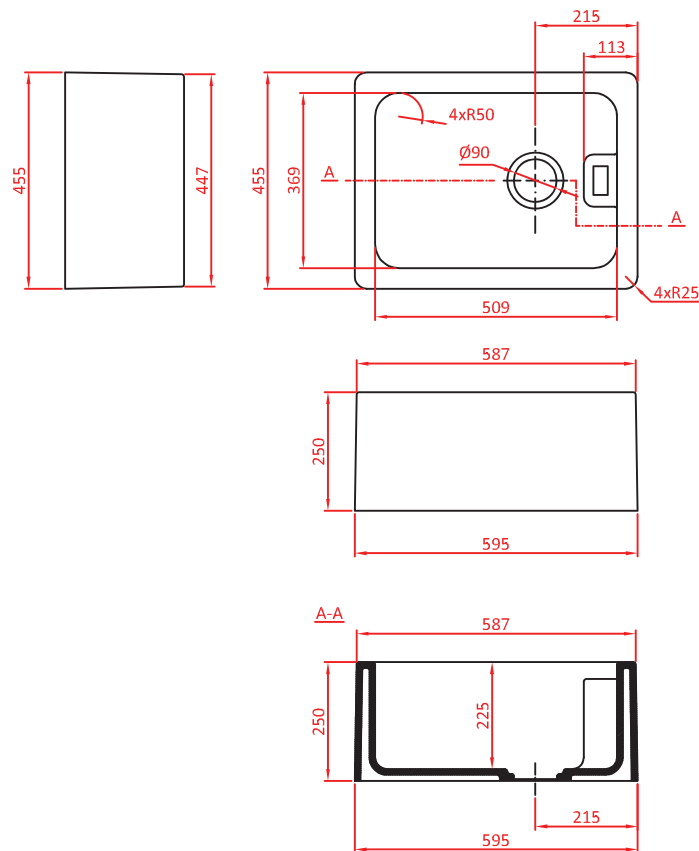


# Caple BELBK Geotech Belfast Sink - Single Bowl

## Product Dimensions

This illustration displays the actual dimensions of the product.  
See the following page for cut-out dimensions to mount your sink.



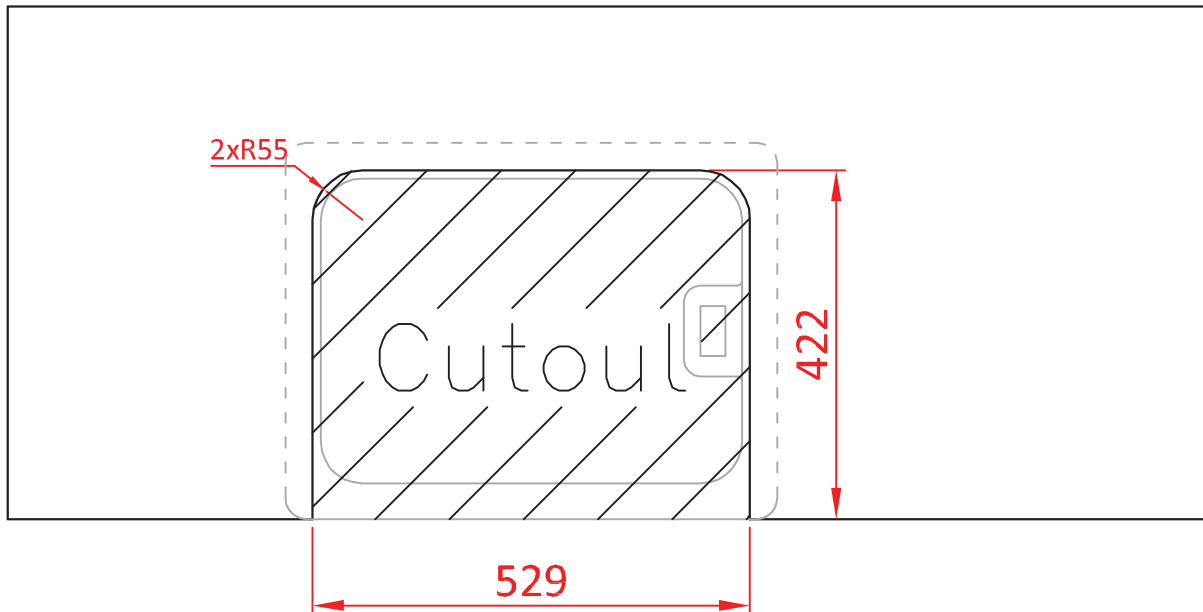
<b>Length</b>	595mm
<b>Width</b>	455mm
<b>Height</b>	250mm
<b>Bowl 1 Int Depth</b>	369mm
<b>Bowl 1 Int Width</b>	509mm
<b>Bowl 1 Int Height</b>	225mm
<b>Bowl 1 Ext Depth</b>	595mm
<b>Bowl 1 Ext Width</b>	455mm
<b>Bowl 1 Ext Height</b>	250mm
<b>Minimum Cabinet Int Width</b>	600mm

# Caple BELBK Geotech Belfast Sink - Single Bowl

## Product Cut-out

Use these dimensions to cut the correct hole to mount your sink.

Fitting: Overmount



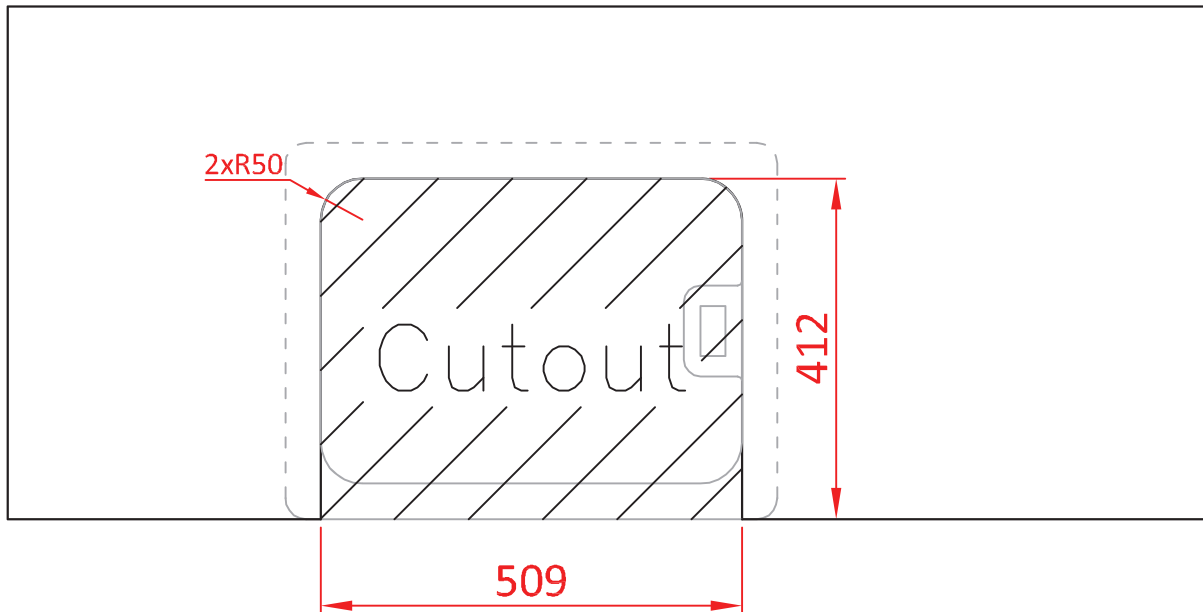
<b>Length</b>	529mm
<b>Width</b>	422mm
<b>Radius</b>	55mm

# Caple BELBK Geotech Belfast Sink - Single Bowl

## Product Cut-out

Use these dimensions to cut the correct hole to mount your sink.

Fitting: Flush mount



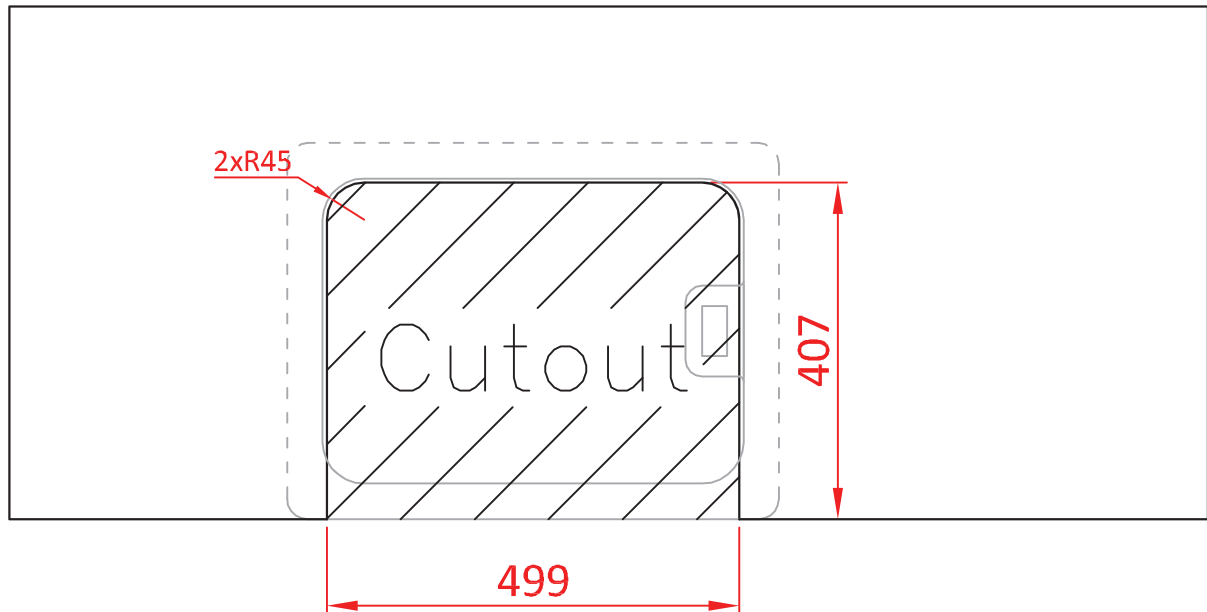
<b>Length</b>	509mm
<b>Width</b>	412mm
<b>Radius</b>	50mm

# Caple BELBK Geotech Belfast Sink - Single Bowl

## Product Cut-out

Use these dimensions to cut the correct hole to mount your sink.

Fitting: Undermount



<b>Length</b>	499mm
<b>Width</b>	407mm
<b>Radius</b>	45mm