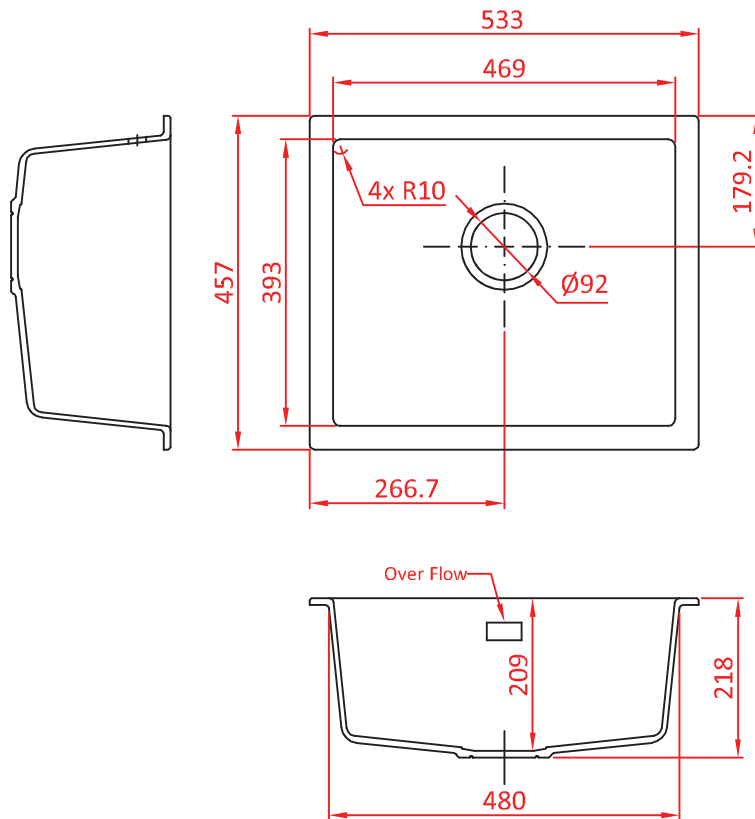


1810 CAVAUNO 469U

Product Dimensions

This illustration displays the actual dimensions of the product.
See the following page for cut-out dimensions to mount your sink.



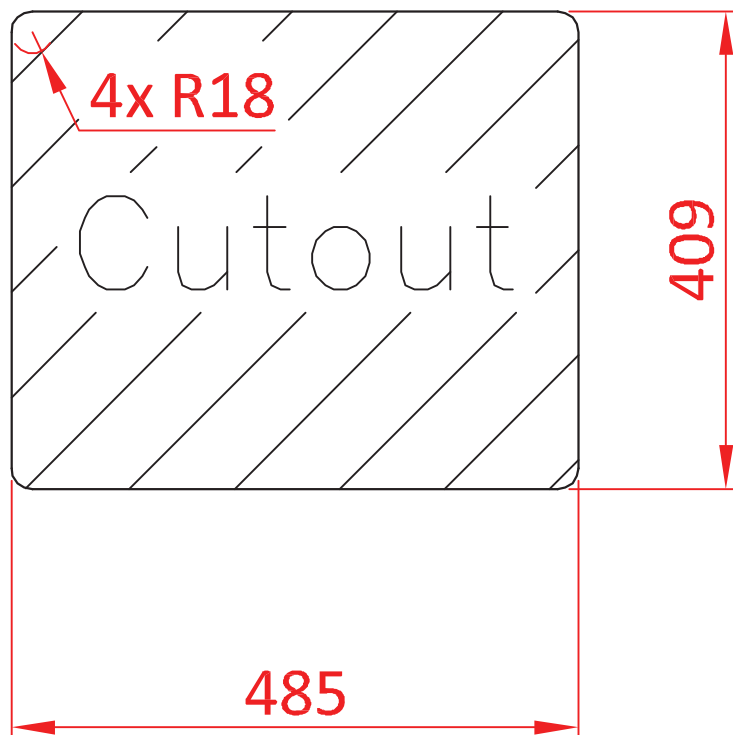
Length	533mm
Width	457mm
Height	218mm
Bowl 1 Int Depth	393mm
Bowl 1 Int Width	469mm
Bowl 1 Int Height	209mm
Bowl 1 Ext Depth	404mm
Bowl 1 Ext Width	480mm
Bowl 1 Ext Height	218mm
Minimum Cabinet Int Width	562mm

1810 CAVAUNO 469U

Product Cut-out

Use these dimensions to cut the correct hole to mount your sink.

Fitting: Overmount



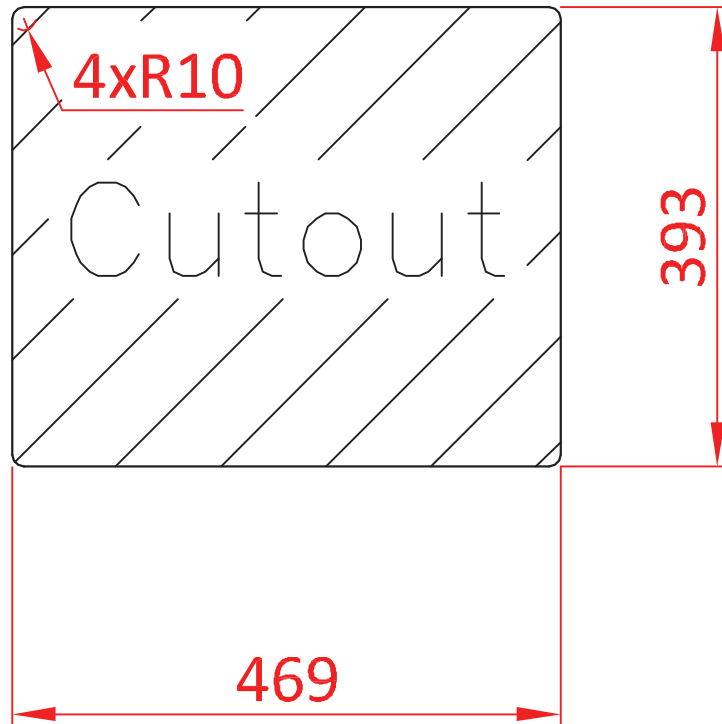
Length	485mm
Width	409mm
Radius	18mm

1810 CAVAUNO 469U

Product Cut-out

Use these dimensions to cut the correct hole to mount your sink.

Fitting: Flush mount



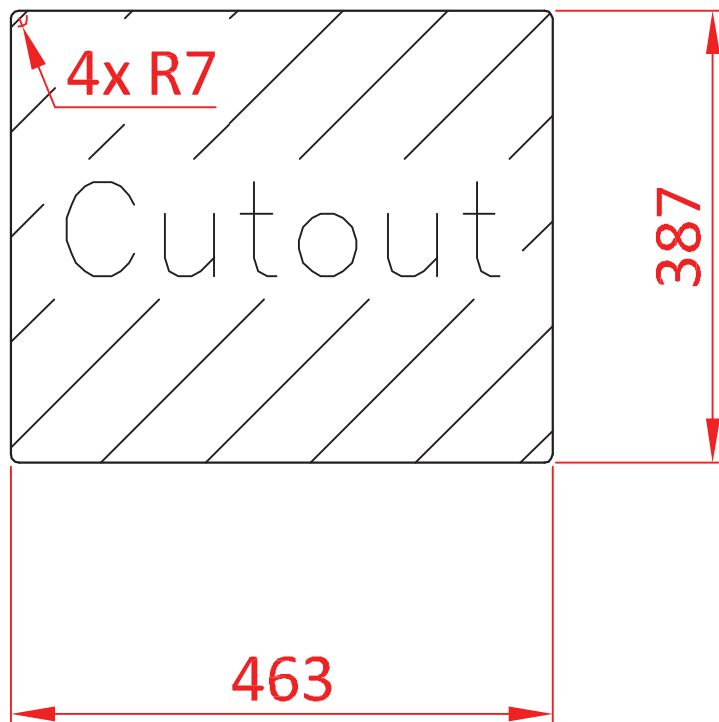
Length	469mm
Width	393mm
Radius	10mm

1810 CAVAUNO 469U

Product Cut-out

Use these dimensions to cut the correct hole to mount your sink.

Fitting: Undermount



Length	463mm
Width	387mm
Radius	7mm