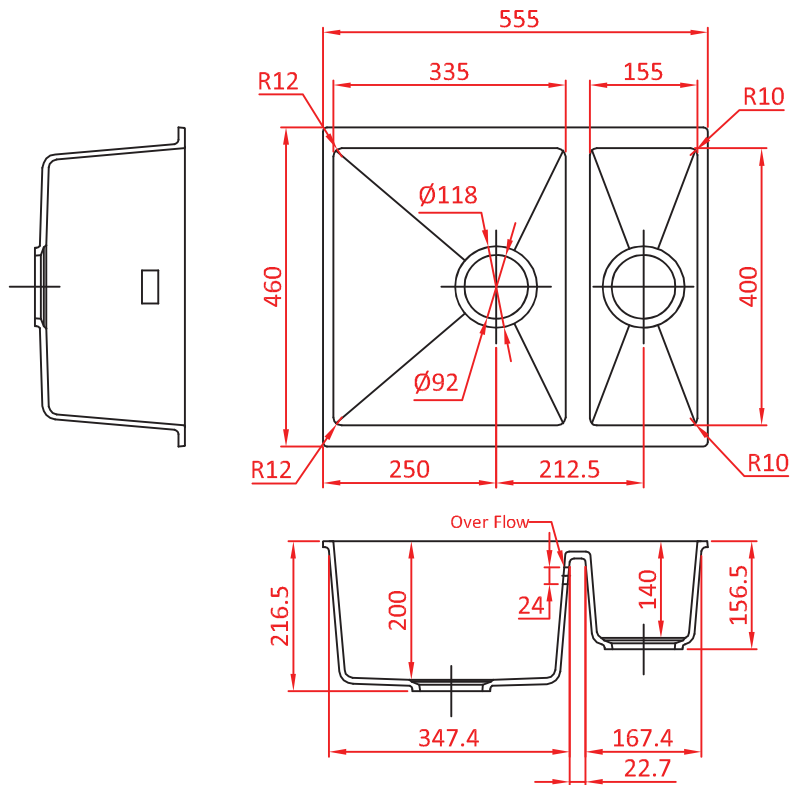


1810 CAVADUO 335/155U

Product Dimensions

This illustration displays the actual dimensions of the product.
See the following page for cut-out dimensions to mount your sink.



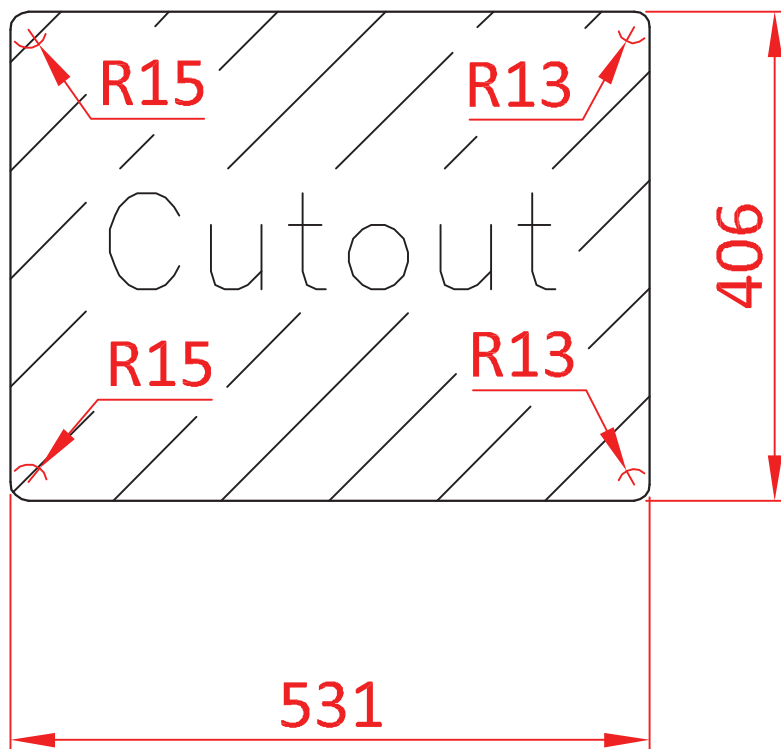
Length	555mm	Bowl 2 Int Depth	400mm
Width	460mm	Bowl 2 Int Width	155mm
Height	216.5mm	Bowl 2 Int Height	140mm
Bowl 1 Int Depth	400mm	Bowl 2 Ext Depth	412.5mm
Bowl 1 Int Width	335mm	Bowl 2 Ext Width	167.4mm
Bowl 1 Int Height	200mm	Bowl 2 Ext Height	156.5mm
Bowl 1 Ext Depth	412.5mm	Minimum Cabinet Int Width	562mm
Bowl 1 Ext Width	347.4mm		
Bowl 1 Ext Height	216.5mm		

1810 CAVADUO 335/155U

Product Cut-out

Use these dimensions to cut the correct hole to mount your sink.

Fitting: Undermount



Length	531mm
Width	406mm
Radius	15mm/13mm