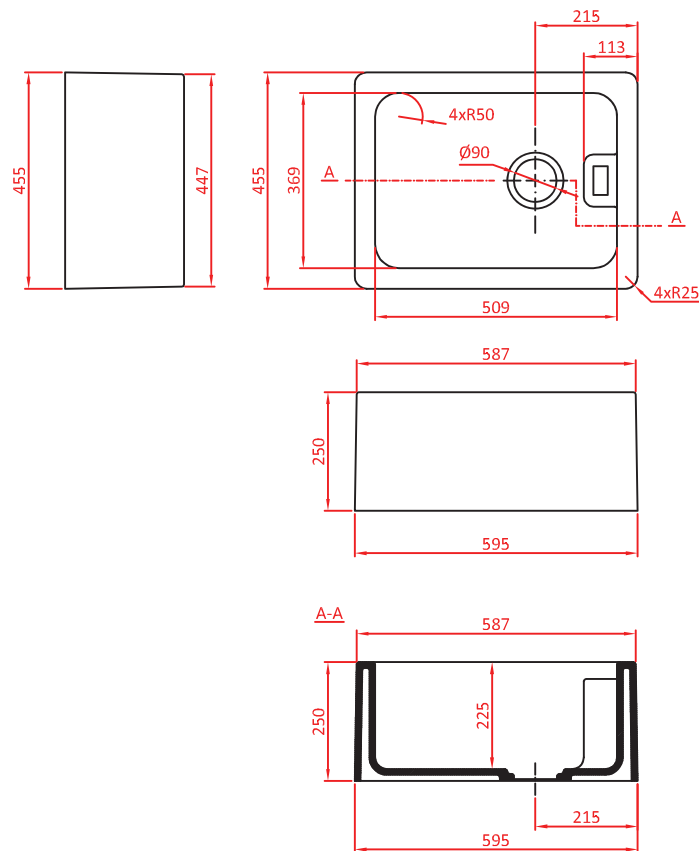


Caple BELBK Geotech Belfast Sink - Single Bowl

Product Dimensions

This illustration displays the actual dimensions of the product.
See the following page for cut-out dimensions to mount your sink.



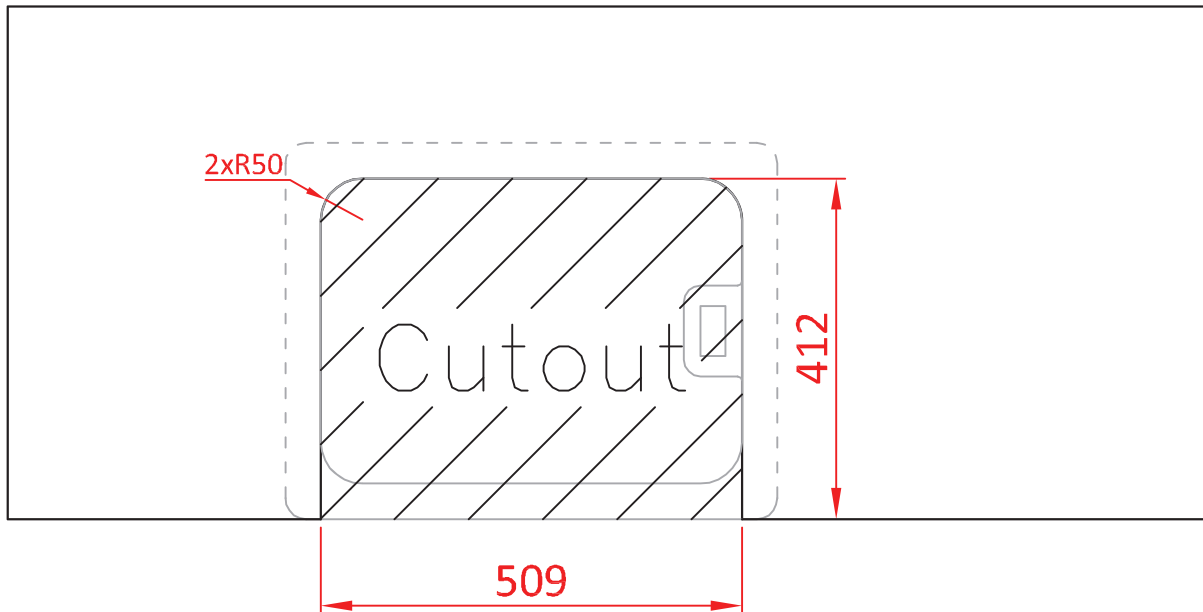
Length	595mm
Width	455mm
Height	250mm
Bowl 1 Int Depth	369mm
Bowl 1 Int Width	509mm
Bowl 1 Int Height	225mm
Bowl 1 Ext Depth	595mm
Bowl 1 Ext Width	455mm
Bowl 1 Ext Height	250mm
Minimum Cabinet Int Width	600mm

Caple BELBK Geotech Belfast Sink - Single Bowl

Product Cut-out

Use these dimensions to cut the correct hole to mount your sink.

Fitting: Flush mount



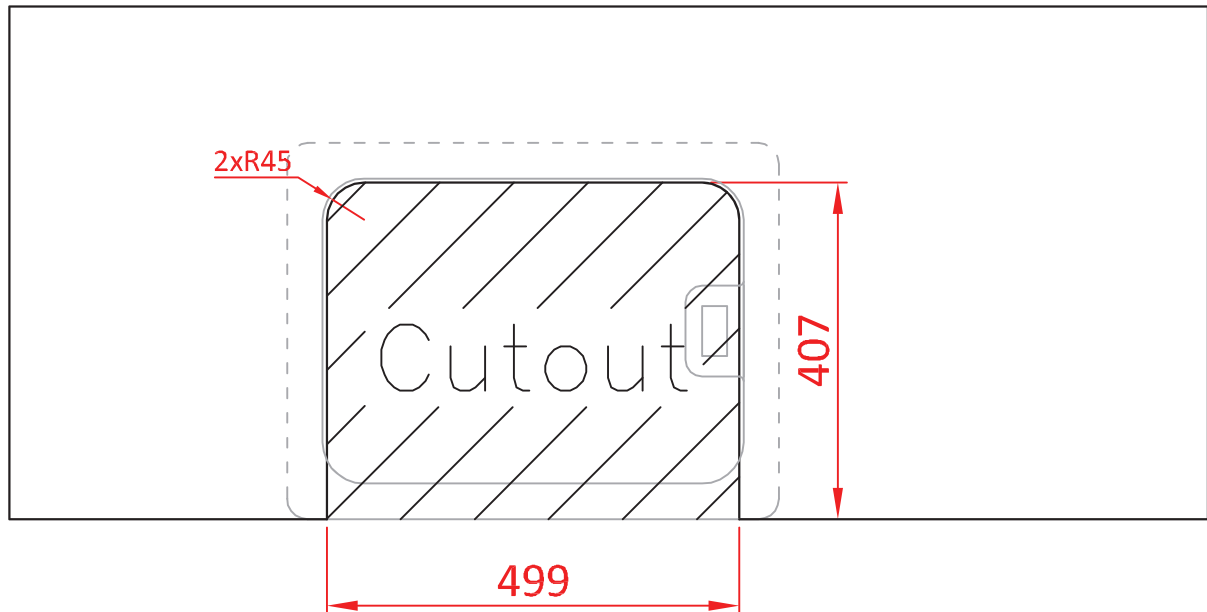
Length	509mm
Width	412mm
Radius	50mm

Caple BELBK Geotech Belfast Sink - Single Bowl

Product Cut-out

Use these dimensions to cut the correct hole to mount your sink.

Fitting: Undermount



Length	499mm
Width	407mm
Radius	45mm