

# Slatted Wall Panel Installation Instructions

Create a 'shadow of style' unique space in your home, office, garden room or any other internal area in hours with our range of acoustic slat wall panels following our easy to follow installation guide.

## Before you start installation

Measure the area the panels are to be installed and decide on the layout and design.

Ensure enough panels are purchased to cover – due to the natural wood veneer of the panels, colour variations amongst batches may be noticeable.

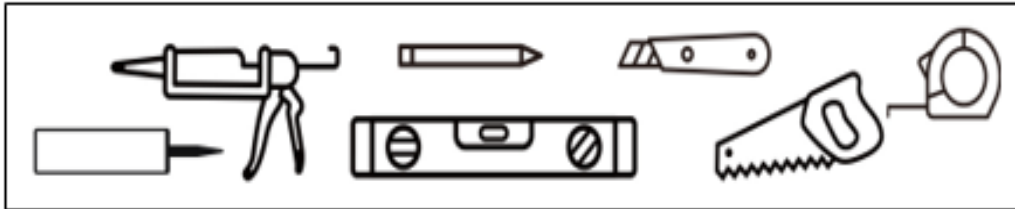
Remove any screws, nails or other fixings, fill any holes and sand down to give a smooth surface.

Ensure the installation surface is clean of any dirt or debris using a damp cloth. Allow the area to dry thoroughly.

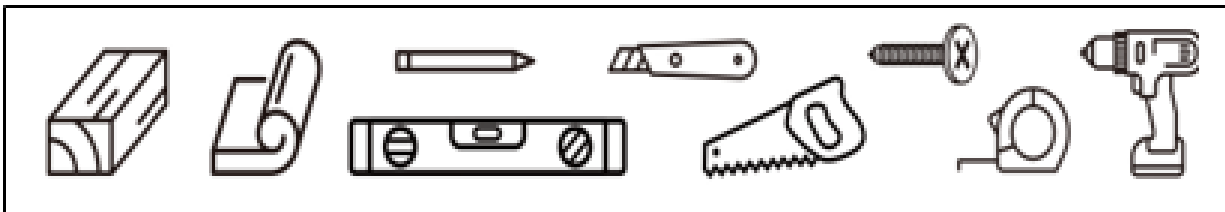
Place boxes of panels on a flat level surface before opening. Open carefully along tape sealed edges. All panels are shrink-wrapped for protection.

## Tools Required

Direct fixing onto flat surface



Fixing to timber battens

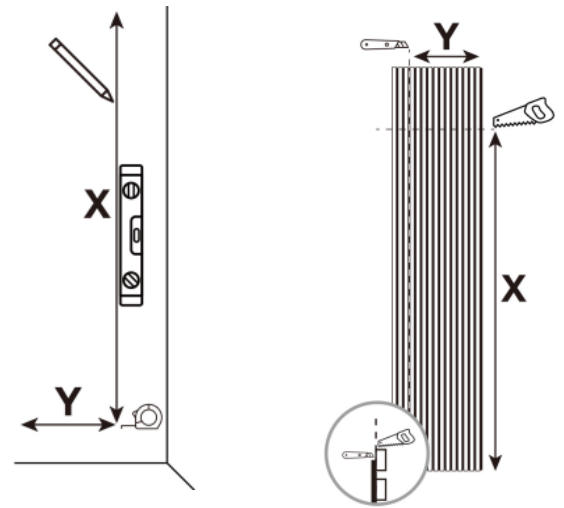


### Important Notes:

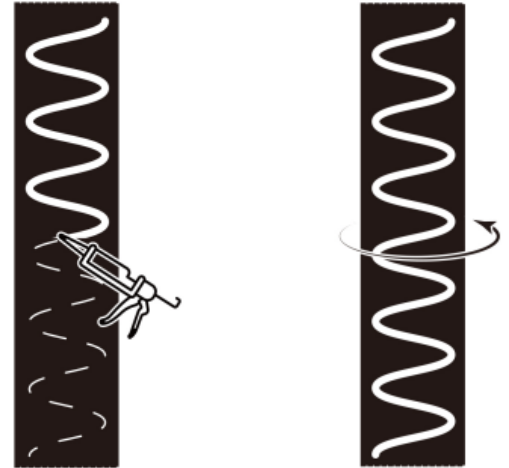
- Use a small-toothed saw for cutting slats of panels
- Use a sharp utility knife for cutting felt backing of panels
- Use black 35mm screws
- If using battens, these should be 45mm fitted at 45cm centres
- 45mm Insulation roll can be used between battens for better acoustic performance
- For ceilings screw directly into existing joists
- If adding fixtures & fittings (e.g. shelves/TV brackets) drill through the panel backing felt and sub-wall and use appropriate fixings or alternatively
- Intricate cuts for sockets, light switches etc. should be made using an electric jigsaw
- \*\*It is not recommended to hang/fix items directly to the panels as this will damage the integrity of the product.

## Installation Using Grab Adhesive

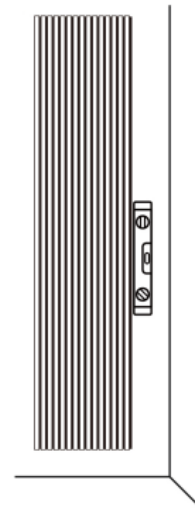
1. Measure the height of the installation wall. If panels need to be cut, mark the panels using a pencil and square edge (remember measure twice, cut once!) Cut the panels to size using a small-toothed handsaw. If the panels also need to be cut down in width, a sharp utility blade can be used to cut through the felt backing.



2. Using a heavy duty grab adhesive and caulk gun, apply adhesive to the back of the panel keeping adhesive a minimum of 50mm from the edges of the panel ensuring the whole panel has an even coverage to ensure good adherence to the surface.  
NB: Recommended 1 x 300ml The Wood Wall Panel Co Adhesive tube per panel to ensure good adherence to the fixing surface. Other manufacturers' guidelines may vary.



3. Place the panel against the install surface ensuring it is level and in the correct position. Apply pressure to the front of the panel to give a good fix to the wall. Make sure the panel isn't disturbed until sufficient drying time has elapsed to fix in place.  
NB: Curing time can be up to 24 hours using The Wood Wall Panel Co adhesive depending on temperature. Other manufacturers' guidelines may vary.

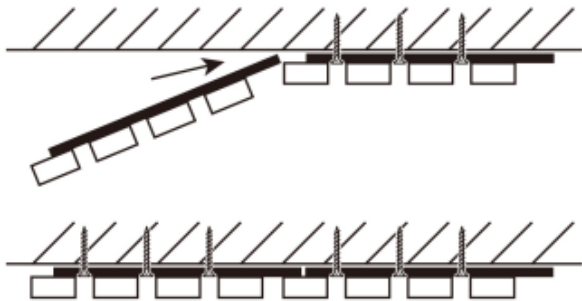


4. Install the second and subsequent panels using the easy install card slot system to maintain a uniform finish. Continue until all panels are in place.



## Installation Using Screws

1. Measure the height of the installation wall. If panels need to be cut, mark the panels using a pencil and square edge (remember measure twice, cut once!) Cut the panels to size using a small-toothed handsaw. If the panels also need to be cut down in width, a sharp utility blade can be used to cut through the felt backing.
2. Mark fixing points on the install surface in 5 rows of three approximately 575mm apart and ensure the outer fixing points are a minimum of 50mm in from the panel edge. Drill and insert appropriate fixings. Using black 35mm screws, fix the panel to the surface.
3. Install the second and subsequent panels using the easy install card slot system to maintain a uniform finish. Continue until all panels are in place.



## Fixing using Battens

To improve the acoustic performance, install panels onto fixed battens.

We recommend 45mm deep battens fixed at 575mm centres. The panels can be screw-fixed directly using black 35mm screws.

To further enhance the acoustic performance, a 45/50mm mineral wool insulation can be inserted into the cavity.

**This method allows the panels to achieve a sound absorbency rating of Class A**

