

A high-quality photograph of a modern kitchen sink. The sink is white with a clean, minimalist design. A gold-colored faucet with a high, curved spout is mounted on the right side of the sink. The background is a wall of white subway tiles with dark grey grout. The lighting is soft and even, highlighting the textures of the sink, faucet, and tiles.

SINKS & TAPS COLLECTION

Exclusively available from

wextrade

YOUR TRUSTED WORKTOP PARTNER

SINKS & TAPS COLLECTION

Introducing a carefully curated collection of stainless steel, composite and ceramic sinks in both inset and undermounted designs exclusively from WEX Trade.

The collection includes stylish modern and traditional designed taps in a choice of colours and sizes, including swing, swivel, pull-out and hot taps, so you can select the tap that best suits your kitchen design.

This stunning collection offers something for everyone.

EASE AND PEACE OF MIND

For ease, all our products include the necessary parts needed to install your sink and taps, within the box, such as waste kits. Our sinks come with a 5 year parts warranty, while our taps come with a 10 year parts warranty. We also offer a 1 year warranty on hoses and a 3 year warranty on pipes. Giving you additional peace of mind.

WEX TRADE YOUR TRUSTED PARTNER

WEX Trade partners with businesses across the UK. We pride ourselves on having the highest quality products and services you can rely on including a dedicated transport fleet and delivery team, and a support team available on the phone or email to take your orders and help with any queries you may have.



CONTENTS

SINKS COLLECTION

Composite sinks	12 - 17
Stainless Steel sinks	18 - 21
Ceramic sinks	22 - 29

TAPS COLLECTION

Side lever mixer tap	34
Pull out tap	35
Twin lever tap	36
Side lever square tap	37
Twin lever classic tap	38
Bridge traditional tap	39
Semi professional tap	40
Instant 3 in 1 hot water tap	41

ACCESSORIES

Wastes	44 - 45
Cartridges	45

OPEN YOUR WEXtrade ACCOUNT TODAY

To take advantage of the great benefits on offer, open your trade account with our easy, priority same day sign-up service.

WE SIMPLIFY EVERYTHING WITH OUR SUPPORT SYSTEM



CAREFULLY
CURATED SINK & TAP
COLLECTIONS



SIMPLE ONLINE
ORDERING



2-PERSON
NEXT DAY DELIVERY



DEDICATED
SUPPORT TEAM



SHOWROOM SUPPORT
MATERIALS INCLUDING
DISPLAY SETS AND POS

OFFERING YOU PEACE OF MIND

WEX Trade is confident that all its products are high quality and built to last, however we recognise the importance for all our customers to have that extra peace of mind, offering parts warranties on all our sink and tap products.

* excluding the cartridge, which is guaranteed for 3 years and the hoses for 1 year

5 YEARS

We offer parts warranties of 5 years on all our sinks

10 YEARS

We offer parts warranties of 10 years* on all our taps



TO PLACE AN ORDER, DELIVERIES
OR FOR GENERAL ENQUIRIES:

Email sales@wextrade.co.uk

Call 0345 22 22 611 or contact your Account Manager

For Point of Sale / Marketing materials
email sales@wextrade.co.uk
or contact your Account Manager

Email sales@wextrade.co.uk , call us on 0345 22 22 611 or contact your Account Manager

SINKS

Kitchen sinks are one of the most important components of a kitchen. Your kitchen sees it all, from cooking unforgettable meals (and cleaning up afterwards) to hosting parties and making your everyday cup of tea - none of which would be possible without your kitchen sink. Despite its vital nature, a kitchen sink can still be stylish and fit the theme of your kitchen. Browse our range of kitchen sinks below and find your perfect match.

The WEX Trade collection offers a choice of materials, colours and sizes, so households can find the ideal sink for their kitchen space.



SINKS



SINK TYPES



INSET

An Inset sink sits on top of the worktop and is compatible with any choice of worktop material including solid wood, laminates and stones. Inset sinks often include an integrated drainer for ease and durability. The tap is usually mounted on the sink. The sink is often designed with two tap holes giving you the option to position the drainer left or right.



UNDERMOUNTED

Undermounted sinks can be fitted with solid wood, compact laminate surfaces such as Aria®, as well as solid stone, marble and granite.

We offer a wide range of bowl sizes and configurations, providing you with ultimate versatility. The tap is often mounted on the worktop, creating a premium, sleek finish.

SINK SIZES

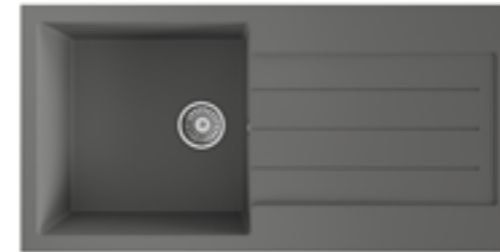
Across our comprehensive sink collection, we have several sink sizes available. In the initial planning stages, it is important to consider how the kitchen is to be used to

determine which option is best suited to your lifestyle requirements. Think about how the kitchen is used and what elements of a sink would make tasks easier.

SINK STYLES

The overall style of the kitchen will play an important part when choosing the perfect sink and tap pairing.

Bring colour into the kitchen with a solid sink and either a perfectly matched or contrasting tap pairing.



SINGLE BOWL
INSET



1.5 BOWL
INSET



SINGLE BOWL
UNDERMOUNTED



1.5 BOWL
UNDERMOUNTED



COMPOSITE SINKS

OUR PATENTED COMPOSITE SINK MATERIAL

Our composite sinks are constructed from pressed material, with a toughened outer layer which offers great strength and can withstand high heat temperatures.

The composite material has antibacterial properties and is recyclable, it's both hygienic and easy to clean.

It is scratch resistant whilst keeping the same visual appeal as the best cast materials & other medium weight sinks on the market.

This innovative material also has a high degree of impact resistance, protecting your cups and plates from easily getting damaged.

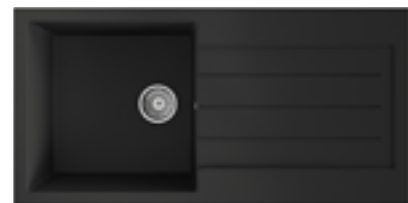
The patented material can be shaped with sharper, cleaner edges allowing slimmer designs, thereby providing more design freedom and allowing for aesthetically attractive kitchen sinks at a lower cost.

Importantly, the sink is less prone to mechanical damage and has a reduced carbon footprint compared with industry standard sinks.

Further to the patent, the composite has been CE certified to EN 13310:2015 + A1:2018

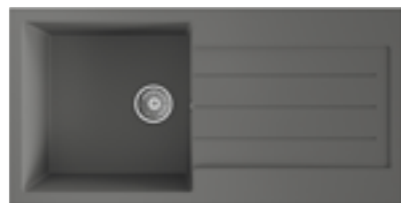
SINK WITH DRAINER

1.5 SINK WITH DRAINER



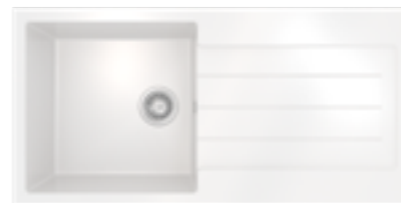
MATT BLACK

Code: SNK-QU-000060-65-BL



MATT GREY

Code: SNK-QU-000076-65-GR



MATT WHITE

Code: SNK-QU-000101-65-WH



MATT BLACK

Code: SNK-QU-000061-64-65-BL



MATT GREY

Code: SNK-QU-000077-64-65-GR



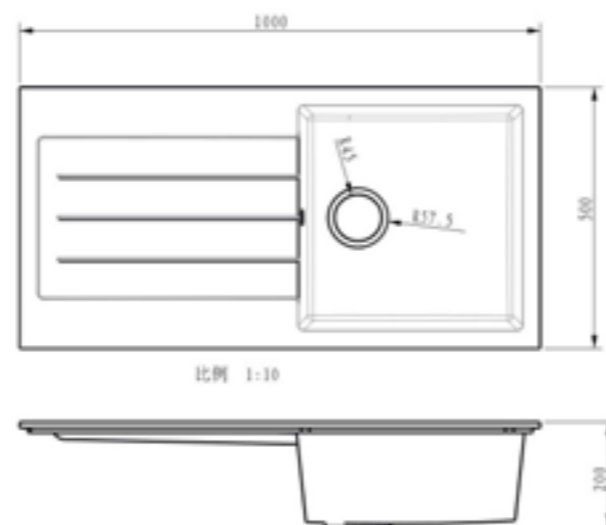
MATT WHITE

Code: SNK-QU-000102-64-65-WH

This stylish, minimalist single bowl sink and drainer comes with right hand and left hand drainer options. Supplied with a chrome strainer basket as standard, matt black or brushed brass basket strainer options are available. Please refer to page 44 for details.

SPECIFICATION

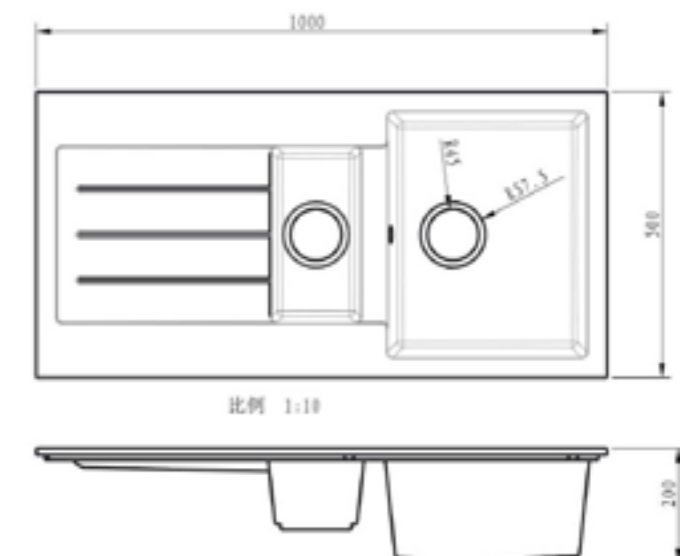
Length	1000mm
Width	500mm
Depth	200mm
Main bowl capacity	27L Approx.
Min base unit	600mm



This stylish 1.5 sink and drainer gives you extra capacity to wash and drain vegetables or soak dishes. Supplied with a chrome strainer basket as standard, matt black or brushed brass basket strainer options are available. Please refer to page 44 for details.

SPECIFICATION

Length	1000mm
Width	500mm
Depth	200mm
Main bowl capacity	33L Approx.
Min base unit	650mm



SINGLE BOWL

1.5 SINK UNDERMOUNT



5 YEARS
parts warranties
on all our sinks

5 YEARS
parts warranties
on all our sinks



MATT BLACK

Code: SNK-QU-000099-65-BL



MATT GREY

Code: SNK-QU-000097-65-GR



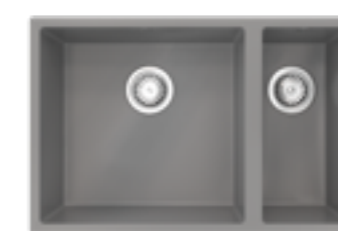
MATT WHITE

Code: SNK-QU-000095-65-WH



MATT BLACK

Code: SNK-QU-000100-65-65-BL



MATT GREY

Code: SNK-QU-000098-65-65-GR



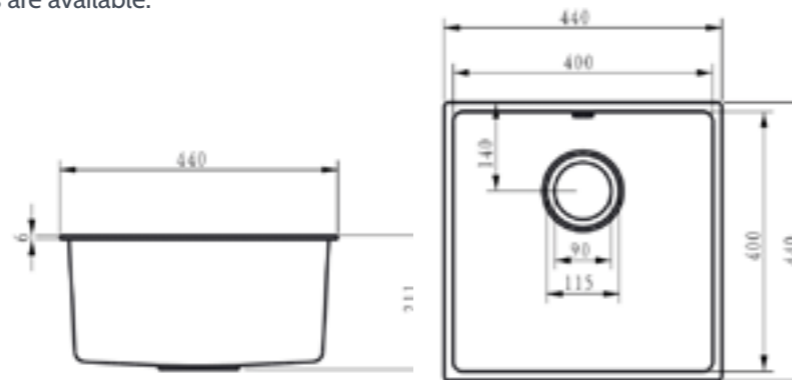
MATT WHITE

Code: SNK-QU-000096-65-65-WH

The single undermounted sink comes in a sleek, contemporary square design in a choice of three matt finishes. Supplied with a chrome strainer basket as standard, matt black or brushed brass basket strainer options are available. Please refer to page 44 for details.

SPECIFICATION

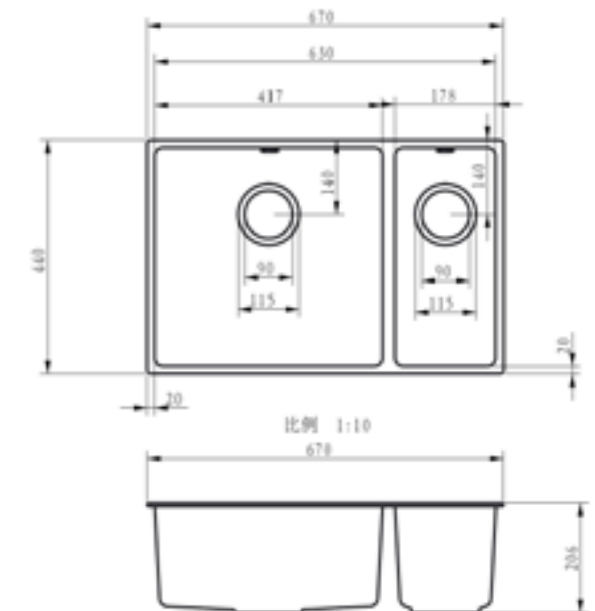
Length	440mm
Width	440mm
Depth	211mm
Main bowl capacity	32L Approx.
Min base unit	500mm



The 1.5 bowl undermount sink combines both form and function. The contemporary square design and matt finish offers an ultra steel finish, while the 1.5 bowl giving you extra capacity for washing and rinsing in a busy kitchen. Supplied with a chrome strainer basket as standard, matt black or brushed brass basket strainer options are available. Please refer to page 44 for details.

SPECIFICATION

Length	670mm
Width	440mm
Depth	206mm
Main bowl capacity	28L Approx.
Min base unit	700mm



STAINLESS STEEL SINKS

STYLISH AND FUNCTIONAL STAINLESS STEEL SINKS

The stainless steel sinks collection is made from high-quality stainless steel making it rust and corrosive resistant.

The collection offers both style and practicality, with three designs to choose from including inset and undermount options, plus single and 1.5 bowl sizes. Each sink includes a chrome basket waste strainer and clips as standard, for easy installation, plus the option to fit on the left or right depending on your kitchen design.

STAINLESS STEEL SINK WITH DRAINER



5 YEARS

parts warranties
on all our sinks

The single stainless steel inset sink offers both style, with its satin matt finish and curved corners and practicality with its generous 18.4L bowl capacity.

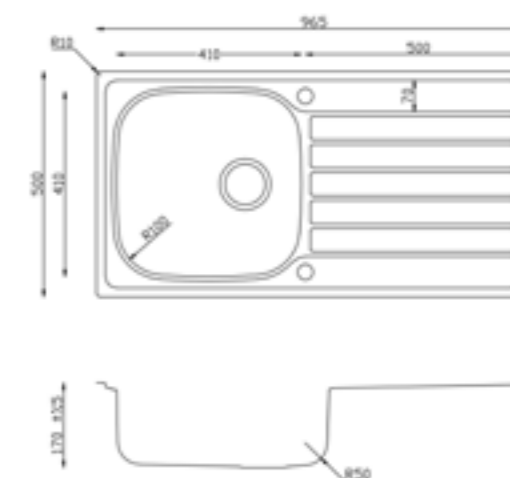


SINGLE BOWL AND DRAINER

Code: SNK-SS-000519-SM

SPECIFICATION

Length	965mm
Width	500mm
Depth	170mm
Main bowl capacity	18.4L Approx.
Min base unit	600mm



STAINLESS STEEL 1.5 SINK WITH DRAINER



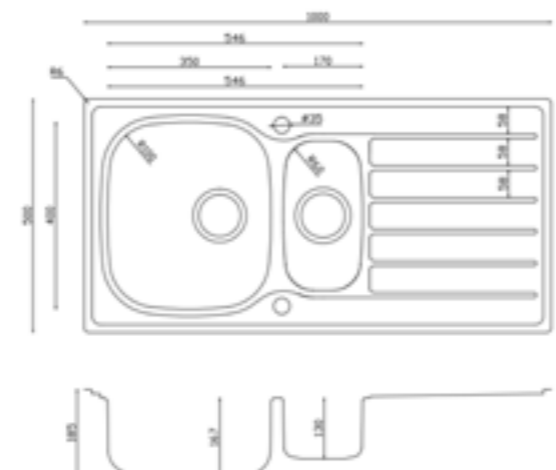
The 1.5 bowl stainless steel sink is both stylish and practical. Its 1.5-bowl design allows you to multi-task by soaking dishes in the main bowl while doing the rest of the washing up in the secondary bowl.

The reversible fitting allows for the drainer to be left or right fitted, depending on your preference.



1.5 BOWL AND DRAINER

Code: SNK-SS-000518-SM



SPECIFICATION

Length	1000mm
Width	500mm
Depth	160mm
Main bowl capacity	15.4L Approx.
Min base unit	600mm

STAINLESS STEEL 1.5 SINK UNDERMOUNT

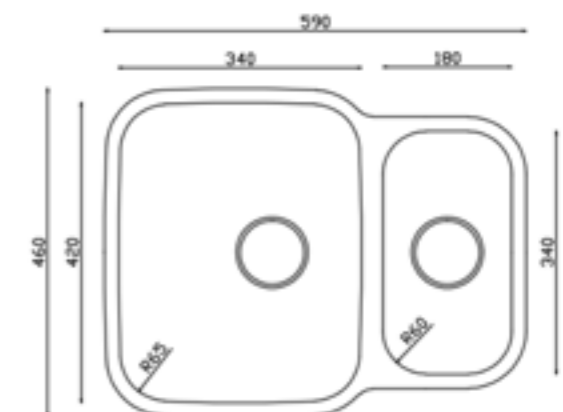


The 1.5 undermount stainless steel sink comes in a sleek square design in a polished Inox finish. The overflow is located in the middle of the bowl separation, allowing for the choice of left or right handed installation.



1.5 BOWL

Code: SNK-SS-000520-SM



SPECIFICATION

Length	590mm
Width	460mm
Depth	170mm
Main bowl capacity	15.7L Approx.
Min base unit	600mm



CERAMIC SINKS

TRADITIONAL AND MODERN CERAMIC SINKS

Our ceramic sink collection offers a sink for all kitchen designs including inset or undermounted styles, in a choice of sizes.

The simple elegance of the classic ceramic sink looks fantastic in either a modern or traditional setting. If you like the classic look, choose one of our Belfast sinks, deep enough for washing stock pots (or bathing babies).

If you are seeking a contemporary, modern sink, the ceramic sinks features designs which include integral drainers including the WIL100 or WIL150.

The taps featured in these ceramic images are for illustration purposes only. Please refer to pages 30-41 for details of our full tap collection.

CAPLE WIL100 SINK & DRAINER

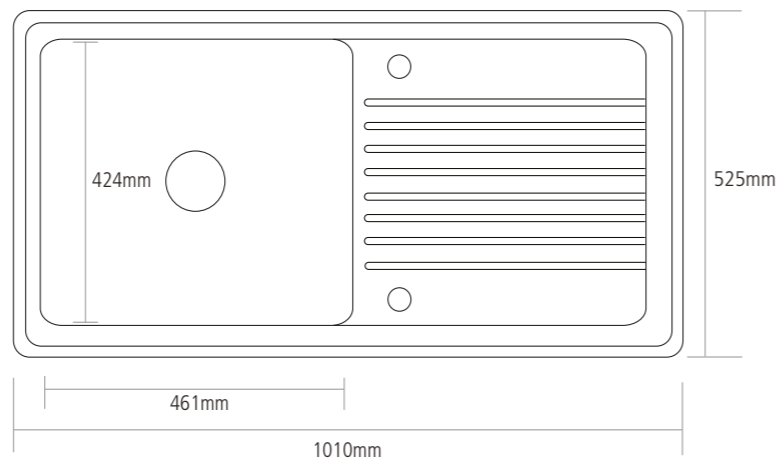


BOWL AND DRAINER

Code: WIL100

SPECIFICATION

Length	1001mm
Width	525mm
Depth	225mm
Min base unit	600mm



We don't offer any of the taps and colour waste options in the Ceramic imagery as part of the collection. Please refer to pages 30 - 41 for our complete tap collection.

CAPLE WIL150 1.5 BOWL SINK & DRAINER

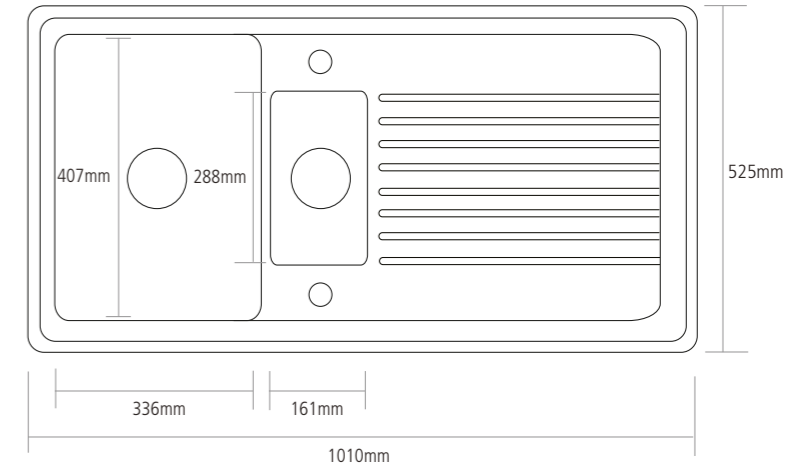


1.5 BOWL AND DRAINER

Code: WIL150

SPECIFICATION

Length	1001mm
Width	525mm
Depth	223mm
Min base unit	600mm



CAPLE BERKSHIRE SINK



The Caple Berkshire single bowl can be set as either an over or undermounted sink depending on your kitchen style. The contemporary square design means it is suited to either a traditional or modern kitchen setting.

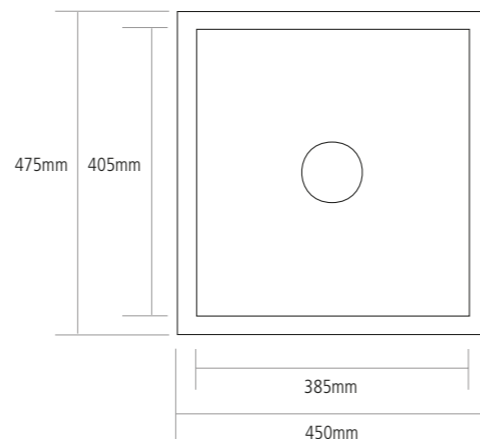


SINGLE BOWL

Code: BERKSHIRE

SPECIFICATION

Length	475mm
Width	450mm
Depth	215mm
Min base unit	500mm



We don't offer any of the taps in the Ceramic imagery as part of the collection. Please refer to pages 30 - 41 for our complete tap collection.

CAPLE YORK BELFAST SINK



The Caple York is a timelessly popular ceramic Belfast sink and is perfect for those looking for a rustic farmhouse look. The sink covers the entire worktop surface as a stunning kitchen centre piece. What's more, each Ceramic sink is expertly hand-finished, guaranteeing that every piece is unique.

Made from durable white ceramic, this sink has been built to withstand constant use in a busy kitchen.

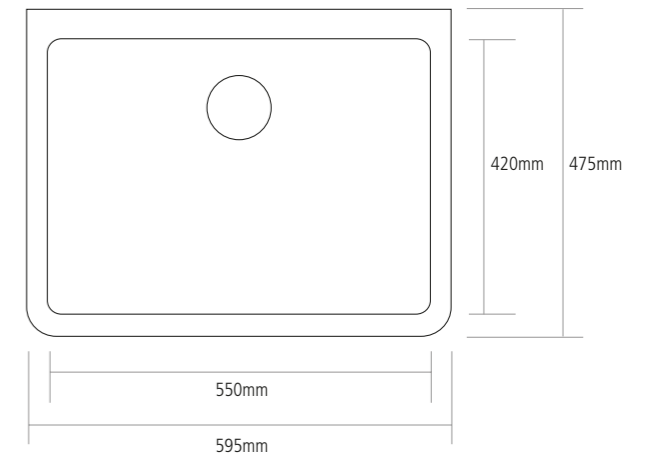


SINGLE BOWL

Code: YORK

SPECIFICATION

Length	475mm
Width	450mm
Depth	220mm
Min base unit	600mm



CAPLE CPBS LARGE BELFAST SINK



This classic large Belfast sink is designed in the traditional style with a large, deep rectangular sink, ideal for cleaning large pots and pans that wouldn't fit a standard sink.

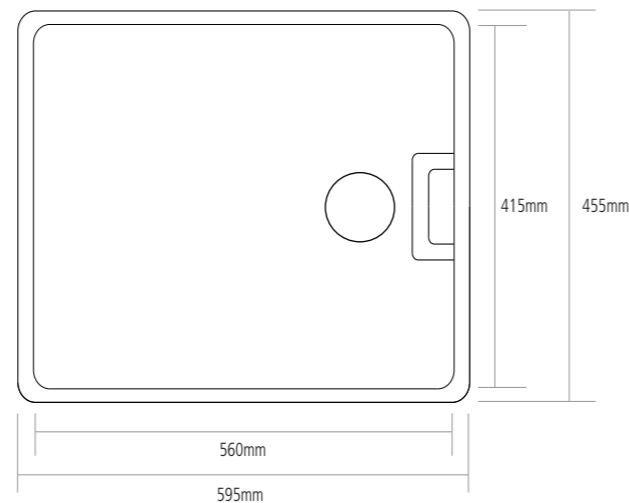


SINGLE BOWL

Code: CPBS4

SPECIFICATION

Length	455mm
Width	595mm
Depth	250mm
Min base unit	600mm



We don't offer any of the taps in the Ceramic imagery as part of the collection. Please refer to pages 30 - 41 for our complete tap collection.

CAPLE ETT600U UNDERMOUNT SINK



This Caple ETT600U undermount ceramic sink and drainer features traditional styling and can be undermounted for a sleek, neat aesthetic. What's more, each Ceramic sink is expertly hand-finished, guaranteeing that every piece is unique.

Made from durable white ceramic, this sink has been built to withstand constant use in a busy kitchen

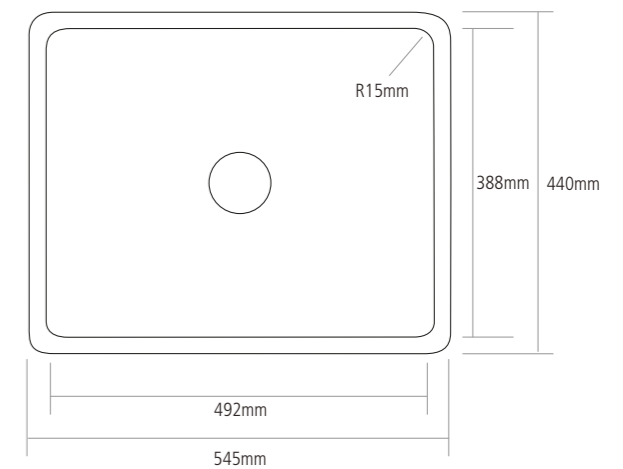


SINGLE BOWL

Code: ETT600U

SPECIFICATION

Length	440mm
Width	545mm
Depth	200mm
Min base unit	600mm



TAPS

Complement a washing area with stylish kitchen taps that can provide a strong design statement in its own right and adds the sophisticated finishing touch.

The WEX Trade tap range includes swivel spout taps, pull-out taps and 3 in 1 hot taps with a selection of designer, classic and traditional styles, in an array of materials, colours, shapes and finishes available to help complete a unified design.



TAPS

TAP STYLES

Whether you're replacing old taps with new ones or buying them as part of a kitchen remodel, it's important to consider both the aesthetics and functionality.

There are many different types and shapes of kitchen taps to choose from, so it's helpful to understand all the options before buying. The WEX Trade range has a tap for every type of kitchen.



FULLY APPROVED

The Water Regulations Advisory Scheme (WRAS) is a certification mark that verifies that an item or package meets the stringent requirements of water regulations. Every water supplier in the UK accepts WRAS approval.



SIDE LEVER MIXER

One lever that tilts to mix hot and cold water.

TWIN LEVER

Two separate handles that can be used together or split apart: one handle for hot water and the other for cold.

BRIDGE MIXER



The spout is connected to the hot and cold water controls by a bridge and requires two holes for installation.

PULL-OUT

Has a spout on the tap that pulls out, enabling the water direction to be aimed around the sink.

3-IN-1 HOT TAP

WHAT DO YOU GET WHEN YOU HAVE A 3-IN-1 HOT WATER TAP?

- H** Everyday hot water is ideal for filling the sink with large items, washing hands, and performing other cleaning tasks.
- C** Everyday cold water – supplies cold water ideal for everyday tasks such as watering plants and removing bubbles.
-  Instant steaming hot water delivers perfect filtered water for making teas, coffees, and all of your cooking needs in a safe, instantaneous, and temperature-controllable range of 75-98 degrees.
-  Child safety lock mechanism



Provides hot, cold, and boiling water from a single spout.

SIDE LEVER MIXER TAP

PULL-OUT TAP



10
YEARS
parts warranty
on all our taps



10
YEARS
parts warranty
on all our taps



CHROME

Code:
WA-TAP-000057-CR

MATT BLACK

Code:
WA-TAP-000056-BL

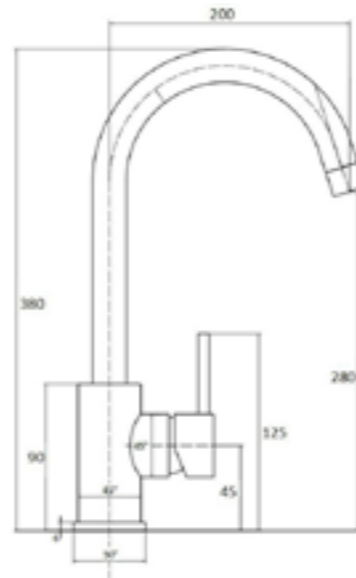
BRASS

Code:
WA-TAP-000542-BR

SPECIFICATION

Height	371mm
Width	95mm
Depth	220mm

- Single lever handle for ease of control
- Ceramic disc technology for smooth on/off function
- Suitable for most plumbing systems, preferably balanced working pressure: 0.5 bar
- Stainless steel construction ensures a long life and durable product



CHROME

Code:
WA-TAP-000452-CI

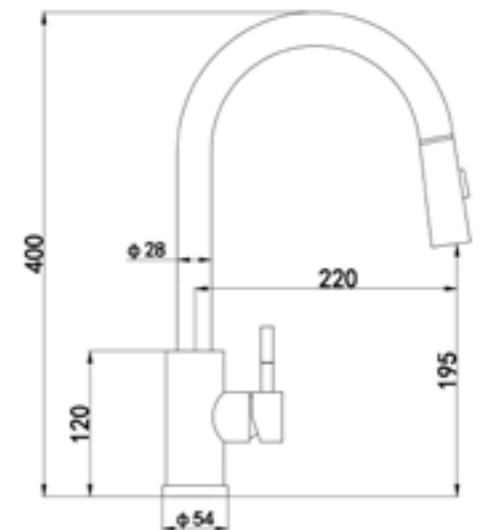
MATT BLACK

Code:
WA-TAP-000453-BL

SPECIFICATION

Height	395mm
Width	54mm
Depth	250mm

- Swivel spout
- Ceramic disc technology
- Dual function hand spray
- Suitable for most plumbing systems, preferably balanced working pressure: 1 Bar - 5 Bar
- Comes with a 1 year hose warranty



TWIN LEVER TAP

SIDE LEVER SQUARE TAP



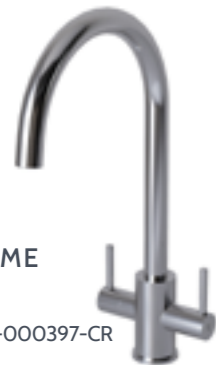
10
YEARS

parts warranty
on all our taps



10
YEARS

parts warranty
on all our taps



CHROME

Code:
WA-TAP-000397-CR



MATT BLACK

Code:
WA-TAP-000398-BL

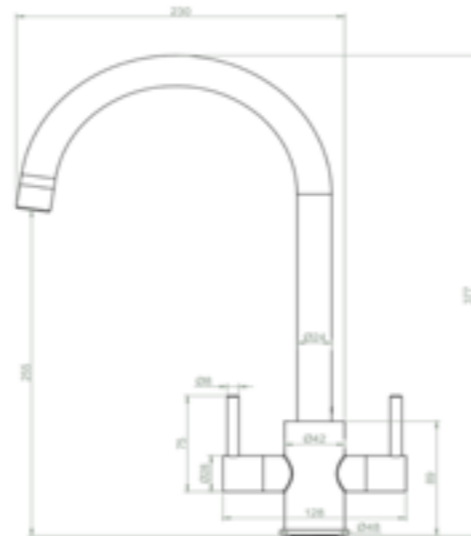


BRASS

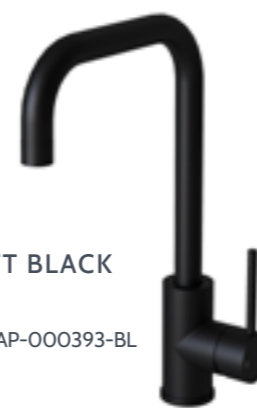
Code:
WA-TAP-000399-BR

SPECIFICATION

Height	377mm
Width	128mm
Depth	230mm



- Swivel spout
- Brass construction
- Flexible supply hoses included
- Dual lever handles for ease of control
- Modern style and natural character
- Ceramic disc technology for smooth on-off function
- PVD (physical vapor deposition) finish

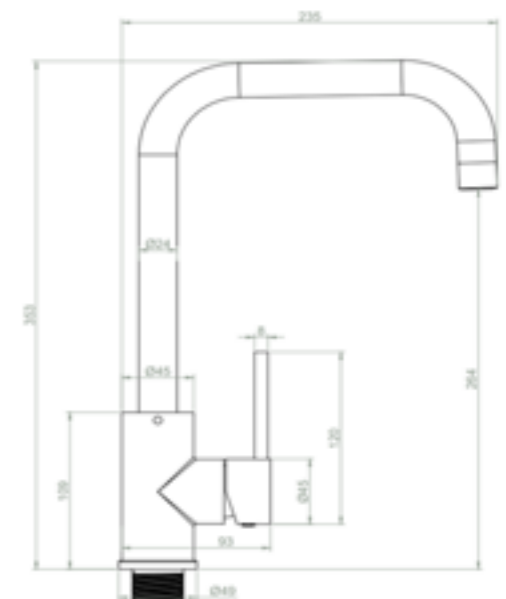


MATT BLACK

Code:
WA-TAP-000393-BL

SPECIFICATION

Height	353mm
Width	50mm
Depth	235mm



- Swivel spout
- Side lever style
- Ceramic disc technology
- 360 swivel spout
- Ideal for a modern kitchen
- Suitable for most plumbing systems, preferably balanced working pressure: 1 Bar - 5 Bar

TWIN LEVER CLASSIC TAP

BRIDGE TRADITIONAL TAP



10
YEARS
parts warranty
on all our taps

10
YEARS
parts warranty
on all our taps



CHROME

Code:
WA-TAP-000551-CR

SPECIFICATION

Height	390mm
Width	169mm
Weight	1.2kg

- Side lever style
- Quarter turn ceramic disc technology
- 360 swivel spout
- Ideal for a modern kitchen
- Suitable for medium to high water pressure plumbing systems



CHROME

Code:
WA-TAP-000559-CR

SPECIFICATION

Height	373mm
Width	50mm
Weight	1.34kg

- Side lever style
- Quarter turn ceramic disc technology
- 360 swivel spout
- Ideal for a modern or traditional kitchen
- Suitable for medium to high water pressure plumbing systems
- Cranked legs that adjust for easy retrofit

SEMI PROFESSIONAL TAP

INSTANT 3 IN 1 HOT WATER TAP



10
YEARS
parts warranty
on all our taps



10
YEARS
parts warranty*
on all our taps



CHROME

Code:
WA-TAP-000266-CR

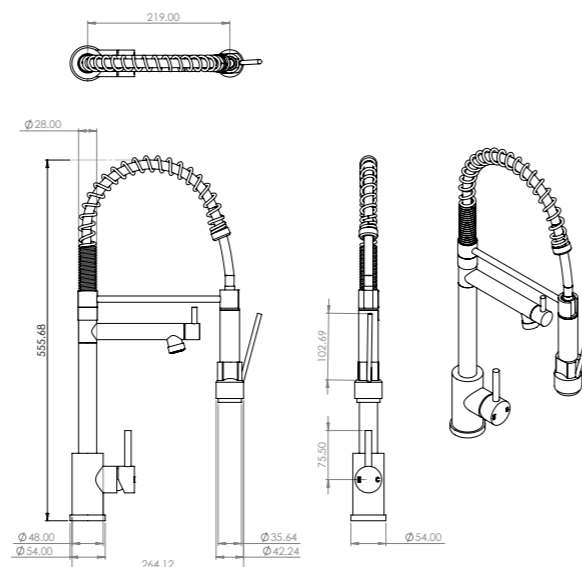


MATT BLACK

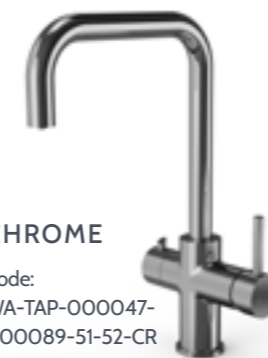
Code:
WA-TAP-000264-BL

SPECIFICATION

Height 556mm
Width 54mm
Depth 264mm



- Easy to use dual function
- Flexi directional hand spray
- Swivel spout for filling pots and sink
- Ceramic disc technology
- Single flow
- Suitable for most plumbing systems, preferably balanced working pressure: 1 Bar - 5 Bar
- Comes with 1 year hose warranty



CHROME

Code:
WA-TAP-000047-
000089-51-52-CR



MATT BLACK

Code:
WA-TAP-000050-
000092-51-52-BL

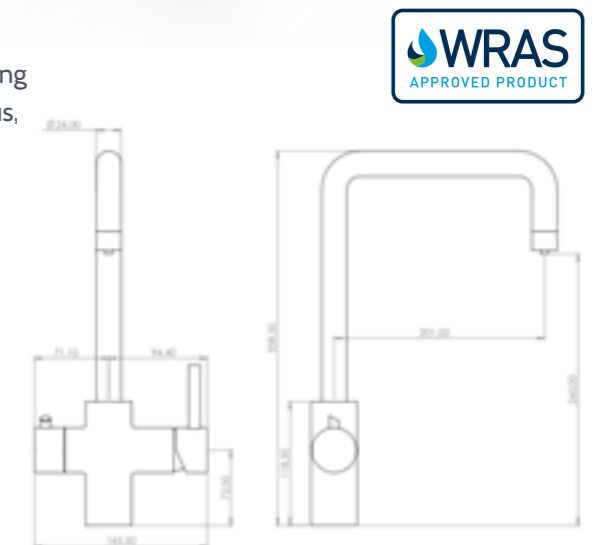


BRASS

Code:
WA-TAP-000213-
51-52-BR

SPECIFICATION

Height 359mm
Width 166mm
Depth 235mm



- Instant steaming hot water delivers perfect filtered water for making teas, coffees, and all of your cooking needs in a safe, instantaneous, and temperature-controllable range of 75-98 degrees.
- Side lever style
- Ceramic disc technology
- 360 swivel spout
- Ideal for a modern kitchen
- Child safety lock mechanism
- Unique unvented design eliminates extra pipework
- 10 year warranty excluding the cartridge, which is guaranteed for 3 years and the hoses for 1 year



ACCESSORIES

All our sinks come with a chrome basket strainer as standard. Different coloured basket strainers and overflows are available to buy separately.

PVD finished strainer wastes come in different finishes to perfectly complement your kitchen design.



BRUSHED BRASS WASTES



All our sinks come with a chrome basket strainer as standard. Matt black or brushed brass basket strainers and overflows are available to buy separately.



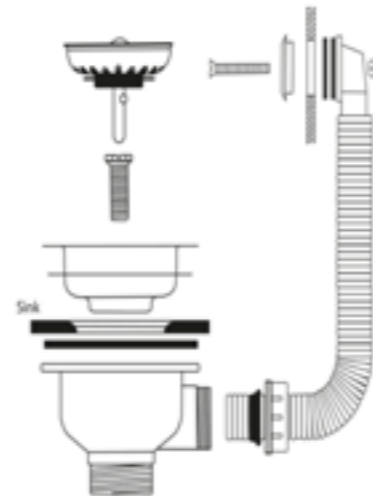
KITCHEN STRAINER WASTE BRUSHED BRASS

Code: SNK-EL-WKIT-000295-BR



KITCHEN STRAINER WASTE WITH RECTANGULAR OVERFLOW PLATE BRUSHED BRASS

Code: SNK-EL-WKIT-OVF-000302-BR



MATT BLACK WASTES AND FILTERS



All our sinks come with a chrome basket strainer as standard. Matt black or brushed brass basket strainers and overflows are available to buy separately.



ECO KITCHEN STRAINER WASTE MATT BLACK

Code: SNK-EL-WKIT-000545-BL



ECO KITCHEN STRAINER WASTE WITH ROUND OVERFLOW PLATE MATT BLACK

Code: SNK-EL-WKIT-OVF-000544-BL



3 IN 1 BOILING HOT WATER TAP FILTER (REPLACEMENT OR SPARE) COMES WITH 2 YEAR GUARANTEE

Code: WA-TAP-EL-FILTER-000053

TO PLACE AN ORDER,
DELIVERY OR FOR
GENERAL ENQUIRIES:

Email sales@wextrade.co.uk

Call 0345 22 22 611

or contact your Account Manager

For Point Of Sale / Marketing Materials

email sales@wextrade.co.uk or contact your Account Manager

Exclusively available from



YOUR TRUSTED WORKTOP PARTNER