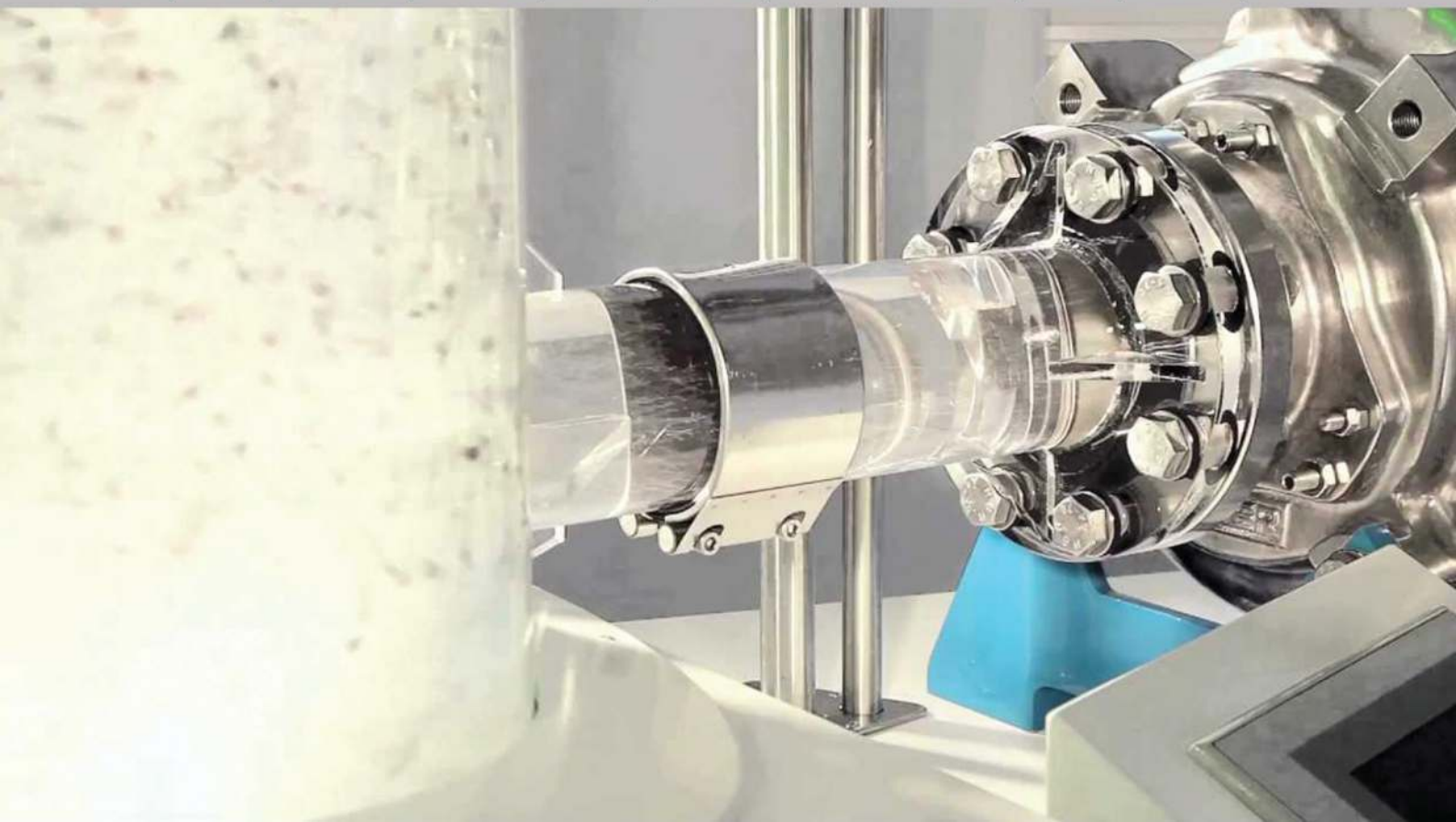


FLUGO

 FLUGO

FCX SERIES

FCX-65 | FCX-75 | FCX-75AB2 | FCX-100A | FCX-125 | FCX-150 | FCX-75AS | FCX-75SA | FCX-75 | FCX-150A | FCX-150B2

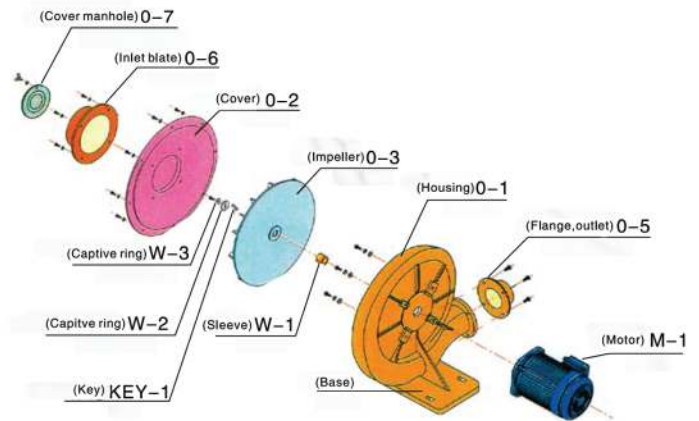




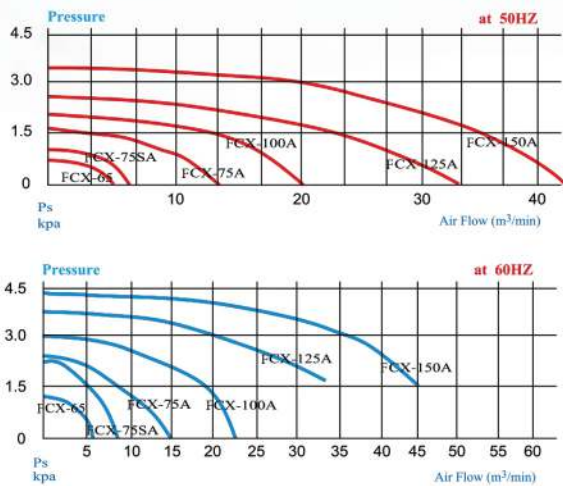
Features

- Lightweight high pressure big volume low noise.
- Aluminium alloy material, greatly reduce weight, achieve the goal of lightweight.
- Design (1 HP motor for I.E.C above), full close outer fan type aluminium frame, motor axis of special design, can be suitable for long time use.
- Special blade design, high pressure, big air volume, low noise, long service life.
- Special air damper, air volume control stability is high, easy to operate (FCX) FTB) FHYB

Chart



Performance Curve

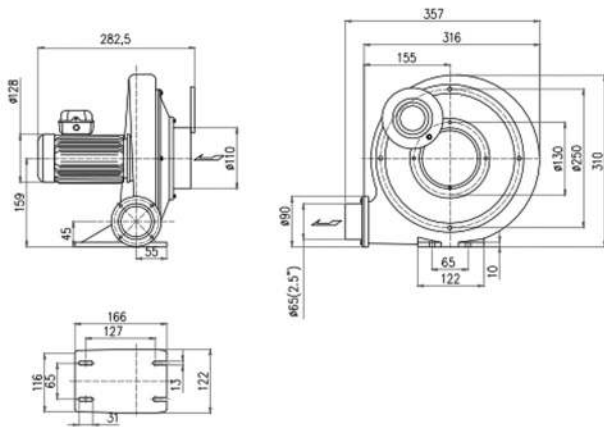


Technical Parameters

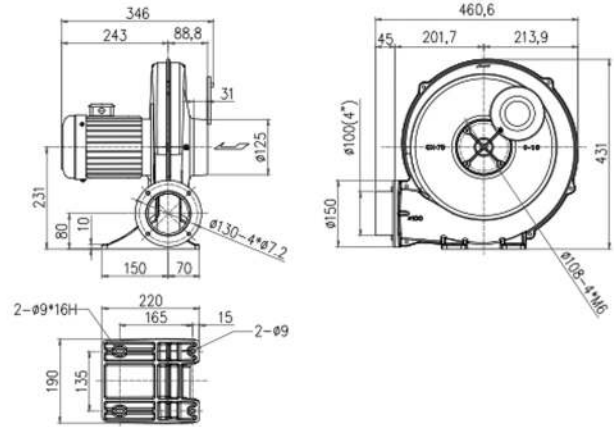
Type	Phase	Power (KW)	Voltage (V)	Current (A)	Vacuum/Pressure (max) (KPa)	Air Flow (max) (m3/min)	In/Out (mm)	Noise Level (dB)	Weight (KG)
FCX-65	1 ~	0.2	220	1.5	0.7/1.1	4.5 / 5.3	IN 110	50/62	10
	3 ~		220 / 380	1.1 / 0.9			OUT 65		
FCX-75SA	1 ~	0.4	220	2.5	1.1/1.6	7/8	IN 100	56/70	11
	3 ~		220 / 380	1.9 / 1.2			OUT 75		
FCX-75A	1 ~	0.75	220	5	1.7/2.4	13/ 15	IN 125	64/80	14
	3 ~		220 / 380	3/ 1.9			OUT 100		
FCX-100A	1 ~	1.5	220	9	2/3	20/23	IN 125	74/90	28
	3 ~		220 / 380	5.5/ 3.5			OUT 100		
FCX-125A	3 ~	2.2	220 / 380	8/5	2.4/3.7	32/37	IN 252	76/95	38
							OUT 125		
FCX-150A	3 ~	3.7	220 / 380	13 / 7.5	3.2/4.4	46/ 53	IN 252	50/62	54
							OUT 150		

Dimension

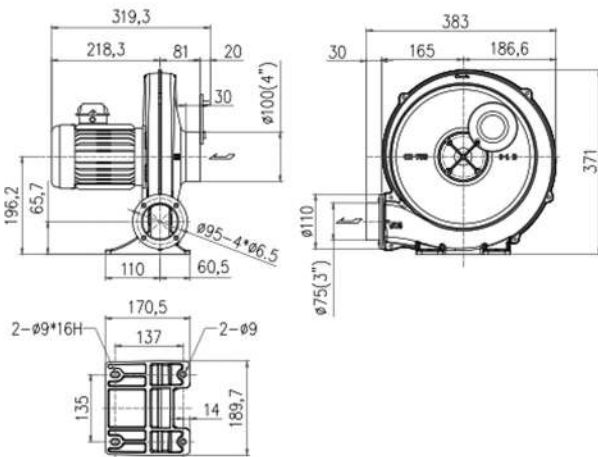
FCX-65



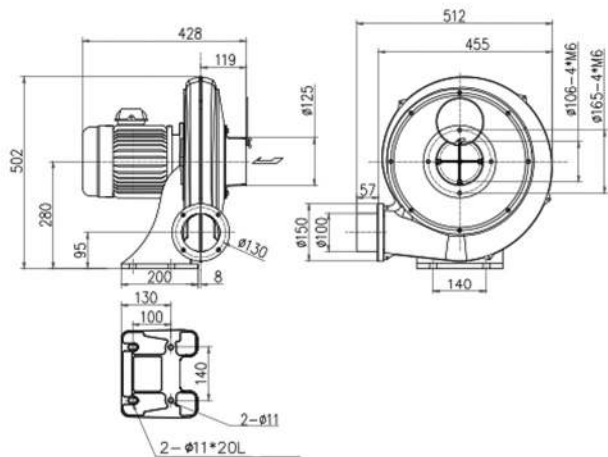
FCX-75A



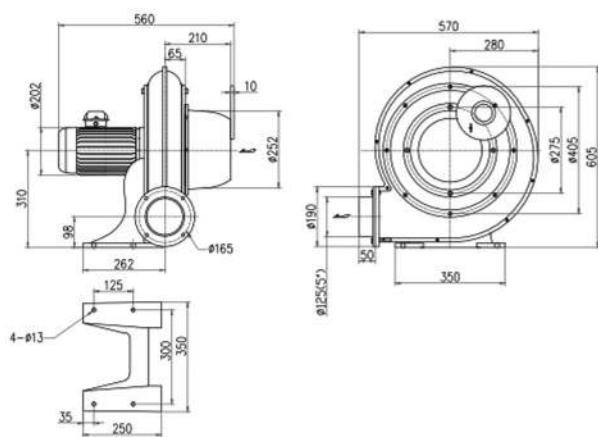
FCX-75S



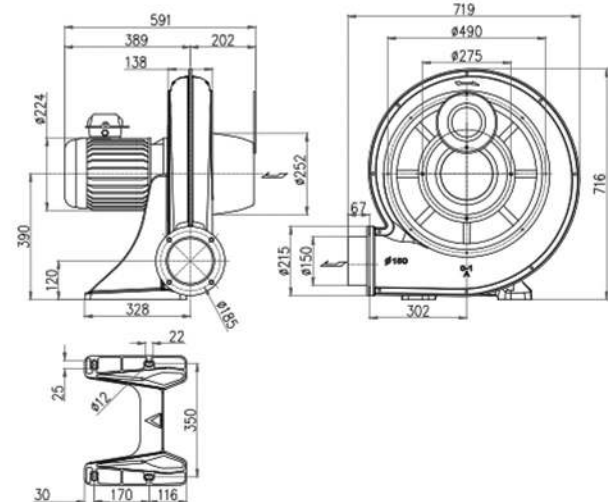
FCX-100A



FCX-125A



FCX-150A





FCX-65 | FCX-75 | FCX-75AB2 | FCX-100A | FCX-125 | FCX-150 |
FCX-75AS | FCX-75SA | FCX-75 | FCX-150A | FCX-150B2

FCX SERIES

