

# FLUGO

FLUGO

FTB SERIES

FTB100-1H | FTB100-2 | FTB125-3 | FTB150-7.5 | FTB150-5 | FTB200

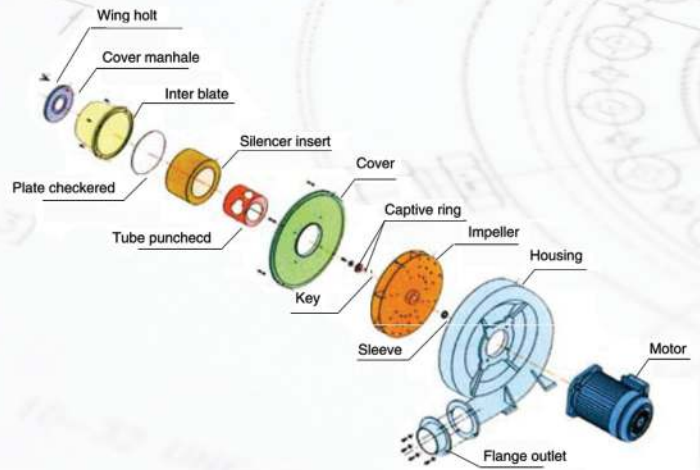




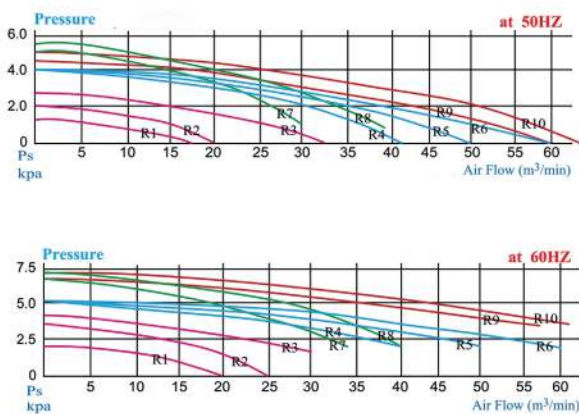
Features

- Lightweight high pressure big volume low noise.
- Aluminium alloy material, greatly reduce weight, achieve the goal of lightweight.
- Design (1 HP motor for I.E.C above), full close outer fan type aluminium frame, motor axis of special design, can be suitable for long time use.
- Special blade design, high pressure, big air volume, low noise, long service life.
- Special air damper, air volume control stability is high, easy to operate (FCX) FTB) FHYB

Chart



Performance Curve

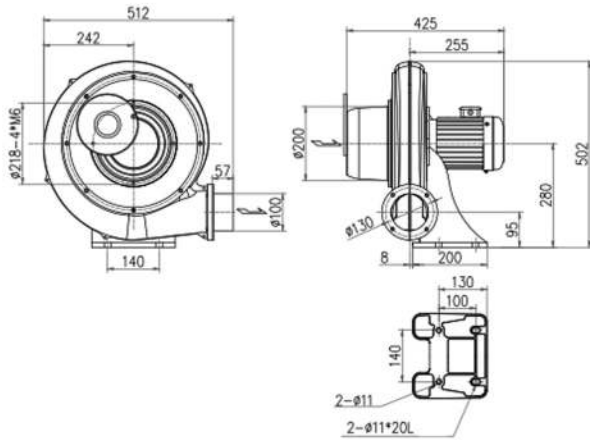


Technical Parameters

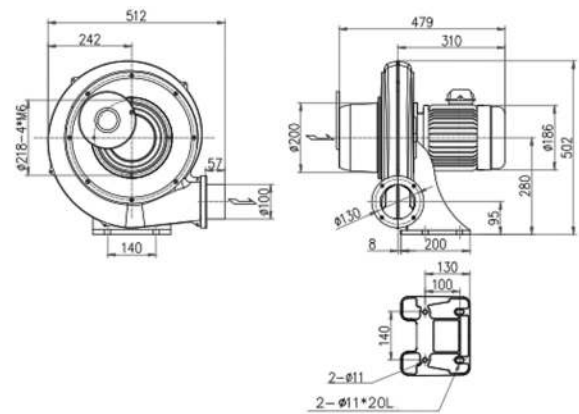
Type	Phase	Power (KW)	Voltage (V)	Current (A)	Vacuum/Pressure (max) (KPa)	Air Flow (max) (m³/min)	In/Out (mm)	Noise Level (dB)	Weight (KG)
FTB100-1	1 ~	0.75	220	5	1.3/2.1	18/22	IN 200	70/80	21
	3 ~		220 / 380	3/ 1.9			OUT 100		
FTB100-2	1 ~	1.5	220	9	2/3	20/25	IN 200	70/85	28
	3 ~		220 / 380	5.5/ 3.5			OUT 100		
FTB125-3	3 ~	2.2	220 / 380	8/5	2.4/3.6	33/ 39	IN 252 OUT 125	80/90	37
FTB150-5	3 ~	3.7	220 / 380	13/7.5	3.8/5.3	48/53	IN 252 OUT 150	90/95	52
FTB150-7.5	3 ~	5.5	220 / 380	19/11.5	4/5.3	50/65	IN 252	90/95	73
							OUT 150		
FTB150-10	3 ~	7.5	220 / 380	26/15.5	4/5.3	60/75	IN 252	90/95	82
							OUT 150		
FTB150L-10	3 ~	7.5	220 / 380	26/15.5	5/6.5	40/53	IN 252	90/100	82
							OUT 150		
FTB200-15	3 ~	11	220 / 380	36/22	5/6.5	65/85	IN 315	95/110	117
							OUT 200		
FTB200-20	3 ~	15	220 / 380	47/28	5/7	90/100	IN 315	95/110	125
							OUT 200		

## Dimension

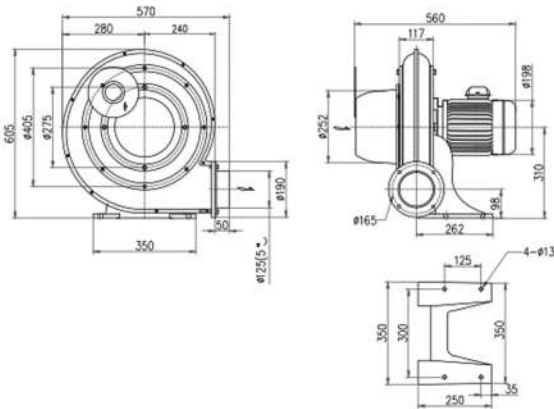
### FTB100-1



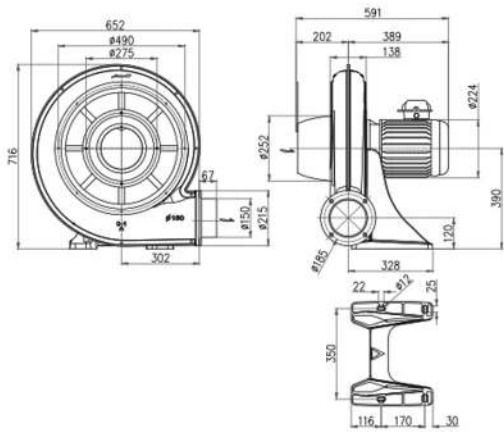
### FTB100-2



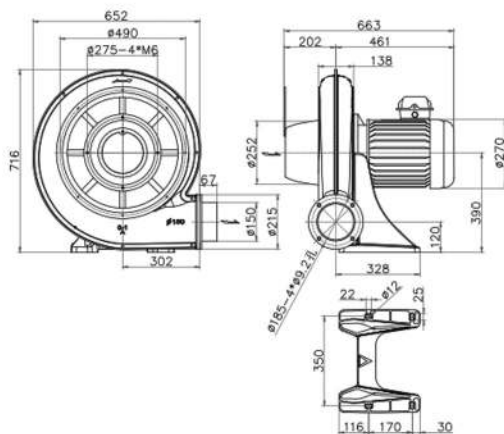
### FTB125-3



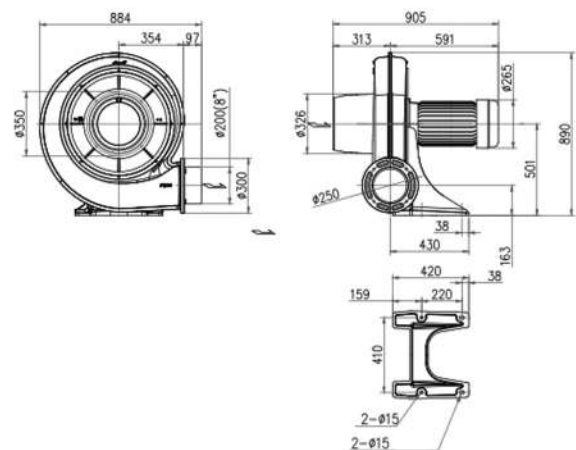
### FTB150-5



### FTB150-7.5



### FTB200-15





FTB100-1H | FTB100-2 | FTB125-3 |  
FTB150-7.5 | FTB150-5 | FTB200

**FLUGO**

**FTB SERIES**

