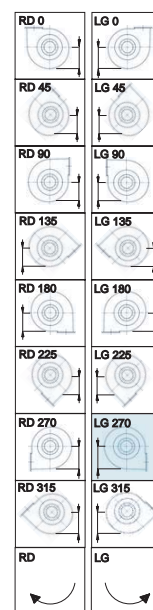
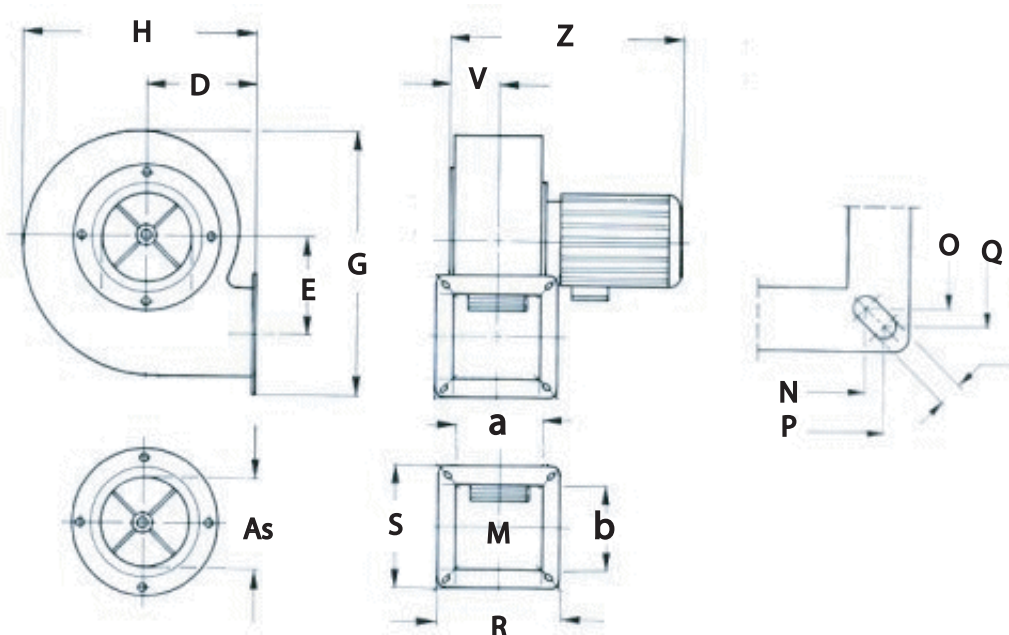




Radial blowers BR M-Series

Volumetric flow rate: 50 - 2200 m³/h
Pressure: up to 1373 Pa

The fans belonging to the MN series are used for cooling processes, machines, DC motors, lamps, extruders, etc., as well as for steam compatibility when large amounts of air are conveyed through ducts. The spiral housings are made of moulded and electrically welded sheet steel. Self-ventilated with 2 and for poles are being used as electric motors. The impellers are made of cadmated sheet metal and are statically and dynamically balanced according to the achievable speeds. These fans can move clean and even limited contaminated medium up to a maximum temperature of 250 °C.



Type	MN 202	MN 252	MN 302	MN 402	MN 502	MN 504	MN 552	MN 554	MN 602	MN 604
As.(mm)	85	112	112	112	122	122	158	158	180	180
D (mm)	85	100	100	100	120	120	120	120	156	156
E (mm)	62	94	94	94	115	115	115	115	145	145
G (mm)	190	270	270	270	322	322	322	322	405	405
H (mm)	168	223	223	223	273	273	273	273	338	338
M.a (mm)	70	82	85	110	110	110	110	110	140	140
M.b (mm)	60	85	85	85	110	110	110	110	140	140
N (mm)	85	110	110	128	128	128	128	128	160	160
O (mm)	75	110	110	103	128	128	128	128	160	160
P (mm)	93	128	128	138	140	140	140	140	170	170
Q (mm)	90	128	128	115	140	140	140	140	170	170
I (mm)	7	7	7	9	9	9	9	9	9	9
R (mm)	110	140	140	155	160	160	160	160	190	190
S (mm)	105	140	140	130	160	160	160	160	190	190
V (mm)	39	44	47	60	60	60	60	60	77	77
Z (mm)	223	232	270	295	318	295	318	295	385	335
Gewicht (kg)	2,5	3	5,5	6	9,5	6	10	7	20	12