

# DATA SHEET

Zanoli Synthesis 12/80G-1

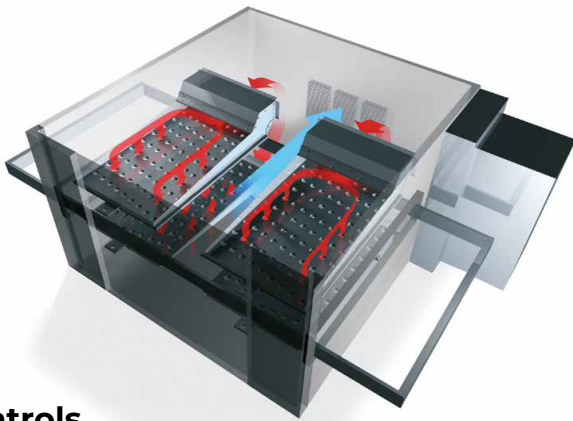
## 32 Inch Gas Impingement Conveyor Oven

TSV4405C-1  LPG  NAT



### Build

- Built entirely in stainless steel
- Double glazed full width inspection door
- Easy access for thorough cleaning and hygiene
- In built cooling system for all external parts ensures oven is cool to touch and work with.
- Heavy duty construction with reliable and durable components.
- Stackable up to 3 units.
- Optional Heavy duty stand with omnidirectional wheels and brakes



### Impingement technology

- Maximum silence of the mesh conveyor system and ventilation motors.
- Latest advancements in air impingement technology allow for rapid heating & cooking of all foods consistently at all times.
- The piercing jets of hot turbulent air encompass every part of the oven delivering exceptional results every time.

### Controls

#### Temperature:

- BRP (power regulation) system reaches working temperature in 20 minutes
- Balanced temperature detection system managed via dual oven probes..
- Maximum cooking temperature up to 320 °C

#### Advanced control board automatically manages:

- Energy consumption via electronic min/max flame controls contributing to significant savings.
- the cooking intensity ensuring highest performance at the lowest temperatures.

#### Customizable and Programmable up to:

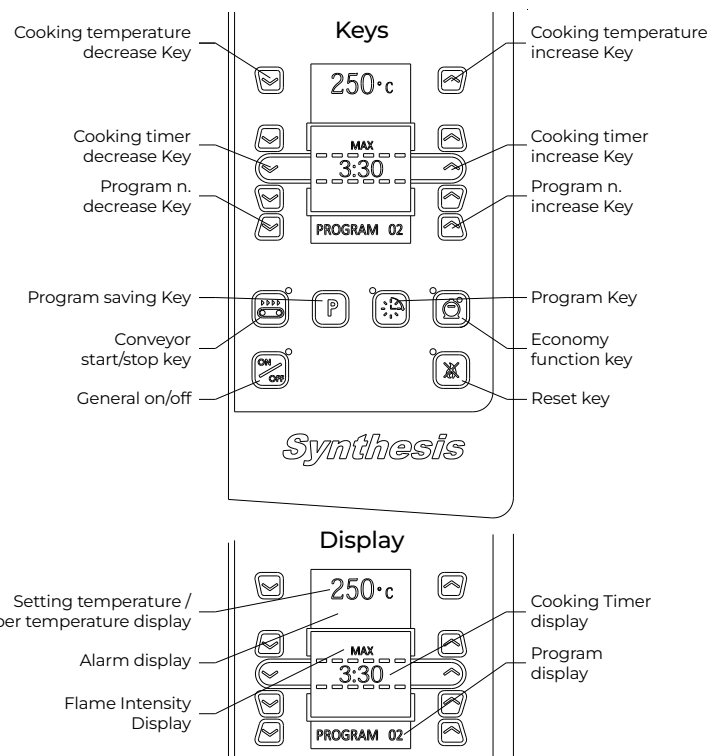
- 10 programmes with unique temperatures and times.
- 2 auto start ups per day with your selected program

#### Economy function allows:

- The Economy function enables the oven to maintain a lower temperature when not in active use compared to when it's in operation. This feature conserves energy, leading to cost savings. Additionally, it controls the movement of the wire mesh conveyor, serving a dual purpose beyond just temperature management.

#### Conveyor:

- Adjustable speed conveyor belt all the way to a complete halt. The dashes on the display move top to bottom simulating its movement



# DATA SHEET

Zanoli Synthesis 12/80G-1

## 32 Inch Gas Impingement Conveyor Oven

1SV4405C-1  LPG  NAT



### Technical specifications

#### External Size

External Width	2180mm
External Depth	1660mm
External Height	595mm

#### Cooking Chamber size

Internal Width	1200mm
Internal Depth	800mm
Internal Height	100mm

#### Conveyor Belt Size

Conveyor Width	32" (800mm)
Conveyor Depth	2100mm

#### Weight

Net weight	315 kg
package weight	*

#### Exhaust

Air exchange	65 m3/h
Flame control	Electronic without pilot

#### Recommended Clearances

Minimum clearance	Left	Rear	Right
Standard	200mm	200mm	200mm

#### Operating Environment

Temperature	0 - 40 °c
Maximum humidity	95% without condensation
Noise	< 70 decibels

#### Operation

Conveyor Belt speed	1:45 - 30 min / Halt
Maximum Temperature	320°c

#### Warranty

2 Year Warranty	2 years parts and labour
-----------------	--------------------------

\*Subject to a preventitive maintenance plan

### Gas & Electircal Specification Per Oven

#### Connection requirements electric

Electrical connected loads	450 Watts
Voltage	230
Plug Supplied	Yes, 10 amps
Cable Length	2m

#### Connection requiring Gas

Gas Pipe	1/2 " Male threaded tail
----------	--------------------------

#### Injector Diameter

NAT gas	5 x 2.15mm
Universal LPG	5 x 1.2mm

#### Low flame gas pressure

NAT gas	3.2 mbar	0.32 kpa
Universal LPG	9 mbar	0.9 kpa

#### High flame gas pressure

NAT gas	10 mbar	1 kpa
Universal LPG	27.5 mba	2.75kpa

#### Thermal capacity

High flame	108 MJ/hr
Low flame	61.2 MJ/hr

#### High Flame consumption

NAT gas	3.18 m3/h
Universal LPG	2.35 Kg/h

#### Low Flame consumption

NAT gas	1.80 m3/h
Universal LPG	1.33 Kg/h

We reserve the right to alter specifications without notice.



1800 183 818

support@thegoodlady.com.au

www.thegoodlady.com.au

# DATA SHEET

Zanoli Synthesis 12/80G-1

32 Inch Gas Impingement Conveyor Oven

1SV4405C-1  LPG  NAT



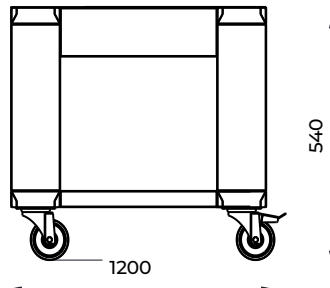
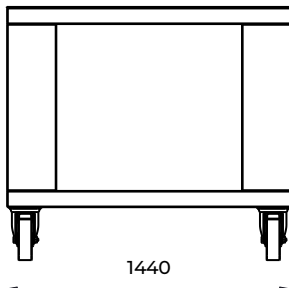
## Options

<input type="checkbox"/> Micromesh belt - 6mm	
SKU	--

<input type="checkbox"/> Right to left Belt configuration	
SKU	--

<input type="checkbox"/> High speed conveyor belt gearbox	
SKU	--

<input type="checkbox"/> Stand suited for Single/Double deck configuration	
SKU	OSV2A12
Size	1440 x 1200 x 540
Weight	42kg



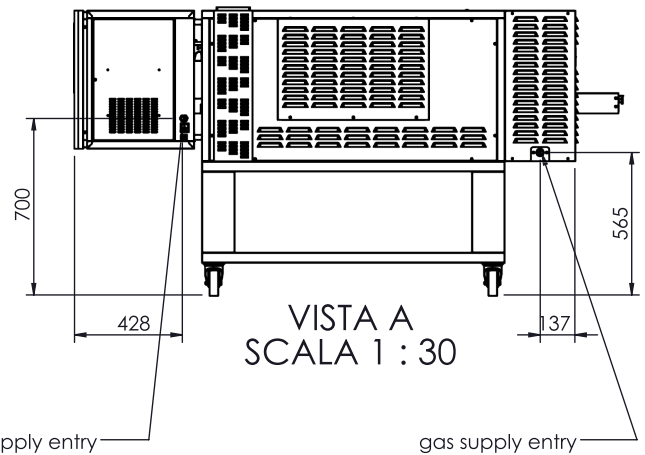
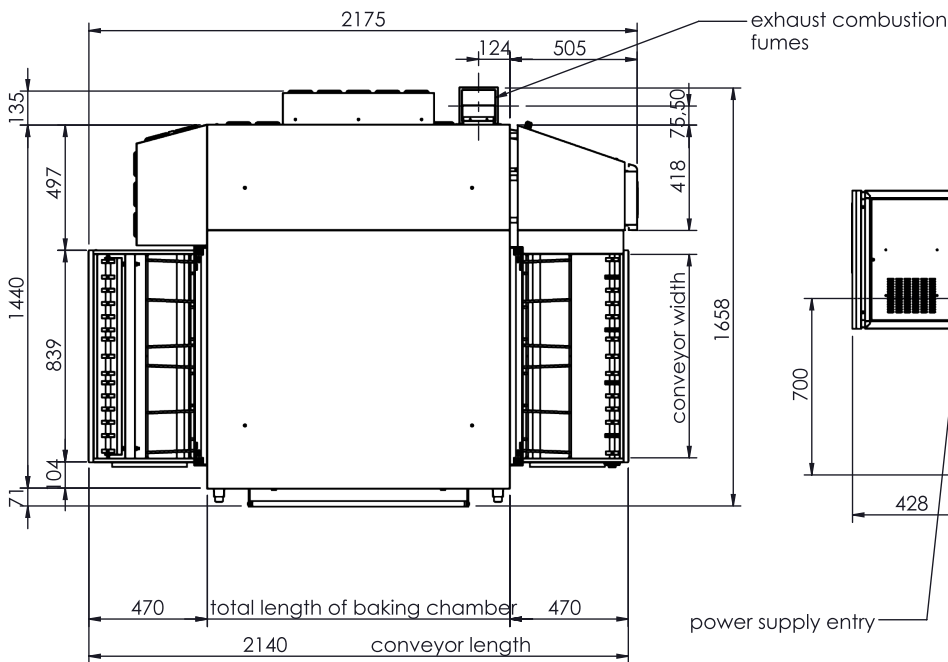
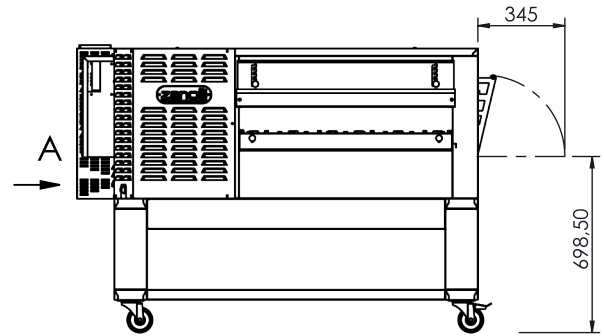
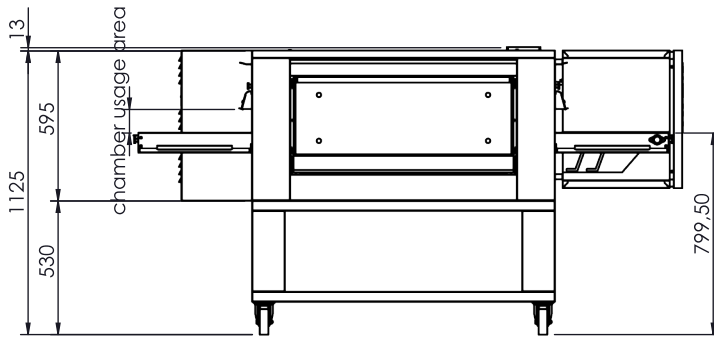
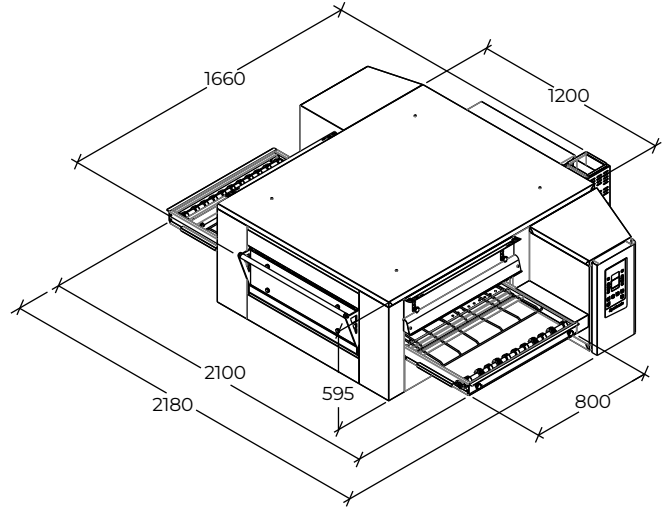
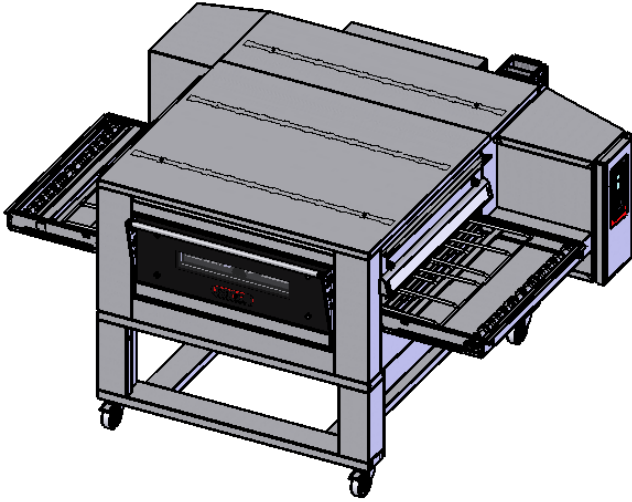
We reserve the right to alter specifications without notice.

# DATA SHEET

Zanoli Synthesis 12/80G-1

32 Inch Gas Impingement Conveyor Oven

TSV4405C-1  LPG  NAT



We reserve the right to alter specifications without notice.



1800 183 818

support@thegoodlady.com.au

www.thegoodlady.com.au