

# INSTALLATION INSTRUCTIONS



**EQUILITY®**

**5-1/2' x 30"  
(1676 x 768 mm)**

**MODEL D12045-004**

**5-1/2' x 33"  
(1676 x 838 mm)**

**MODEL D12045-014**

*Thank you for selecting DXV. To ensure this product is installed properly, please read these instructions carefully before you begin. (Certain installations may require professional help.) Also be sure your installation conforms to local codes.*

**▲ CAUTION: PRODUCT IS FRAGILE. TO AVOID BREAKAGE AND POSSIBLE INJURY HANDLE WITH CARE!**

**ATTENTION INSTALLER:  
Please deliver this manual to homeowner.**

**TABLE OF CONTENTS:**

Cover .....Page 1

Table of Contents .....Page 2

Safety Instructions Notice .....Page 3

General Installation Information .....Page 4

Tub Specifications .....Page 5

Roughing-in Reference.....Page 6

Freestanding Tubs .....Page 7

Post Installation Instructions .....Page 8


# IMPORTANT SAFETY INSTRUCTIONS


## READ AND FOLLOW ALL INSTRUCTIONS!


 **WARNING: *Risk of personal injury.*** Do not permit children to use this bathtub without adult supervision. Never drop or insert any object into any opening.

 **WARNING: *Risk of electric shock.*** Do not permit electrical appliances near any bathtub when bathtub contains water.

 **WARNING: *Risk of hyperthermia and possible drowning.*** People using medications and/or having adverse medical history should consult a physician before using this product.

 **WARNING: *Risk of personal injury.*** Do not overfill bathtub before entering. Entering tub when filled more than 2/3 can cause overflow and slippery conditions. Exercise caution when entering and exiting.

 **WARNING: *No Food or Alcoholic Beverages.*** Use of your bathtub immediately after meals is not recommended. Avoid alcohol consumption before or during bathing. Alcoholic beverages can cause drowsiness or hyperthermia resulting in loss of consciousness or even drowning.

 **WARNING: *Pregnancy.*** If you are or think you may be pregnant, consult your physician before using the bathtub.

Use this unit only for its intended use as described in this manual.  
Do not use any attachments not recommended by DXV.

## SAVE THESE INSTRUCTIONS

## GENERAL INSTALLATION INFORMATION

Carefully uncrate and inspect your new bath for any shipping damage. If such damage is found, report it to your vendor immediately. After inspection and during installation, protect the bath from construction damage. Before installation, and before enclosing with wallboard, tile, etc., the bath must be filled with water to check for leaks that may have resulted from shipping damage or mishandling! Fittings (bath filler, shower arm, etc.) are not provided with the bath and must be ordered separately. Framing and enclosing materials are provided by others. Follow test procedures carefully.

## ATTENTION INSTALLER!

**THIS TUB MUST BE TESTED FOR OPERATION AND LEAKS PRIOR TO ENCLOSURE OF SURROUNDING AREAS. FAILURE TO DO SO WILL VOID WARRANTY. THIS TUB WAS WATER TESTED AT THE FACTORY AND FOUND TO BE FULLY OPERATIONAL AND LEAK FREE PRIOR TO SHIPPING. FREIGHT HANDLING AND JOB SITE EXPOSURE MAY HAVE DETERIORATED THE TUB'S CONDITION. IT IS THE RESPONSIBILITY OF THE INSTALLER TO THOROUGHLY TEST THE UNIT PRIOR TO INSTALLATION. TUBS ARE INTENDED FOR INDOOR USE ONLY.**

### TEST PROCEDURES:

1. Place the tub on a flat surface such as a driveway.
2. Seal the drain with tape.
3. Fill tub and allow tub to stand for five minutes. Examine all fittings carefully for leaks.

**NOTE:** The overflow is a plumbing device designed to prevent water from reaching a certain level in your tub. DO NOT, under any circumstances, tape off or block the overflow in any way.

4. **If any leaks or operating problems are discovered, do not complete installation until problems are resolved. DXV will not be responsible for any costs involved with removing or reinstalling the tub, or for the costs of any surrounding materials or labor.**

If you have installation or warranty questions please do not return the unit to the place of purchase. Call 800-227-2734

Always protect tub from construction damage by using a protective cover. Damage, including chips and scratches incurred at the jobsite is excluded from warranty but may be repaired by qualified technician at the owner's expense. Do not stand in the tub or store materials in the tub during construction. Do not store tub in temperatures below 32 degrees Fahrenheit. Proper waste and overflow installation is the responsibility of the installer. DXV does not warrant leaks associated with improper waste and overflow installation.

Check for availability of optional DXV wall tiling bead (required for recess installation).  
Protect all finished surfaces of the bathtub during construction and installation using a drop cloth.

## RECOMMENDED TOOLS AND MATERIALS

Most of the procedures require the use of common tools and materials, which are available from hardware and plumbing, supply stores. It is essential that the tools and materials be on hand before work is begun.

### Tools

- Level
- Square
- Tape Measure
- Pipe Wrench
- Slip Joint Pliers
- Standard Woodworking Tools
- Personal Safety Equipment
- Caulking Gun

### Materials

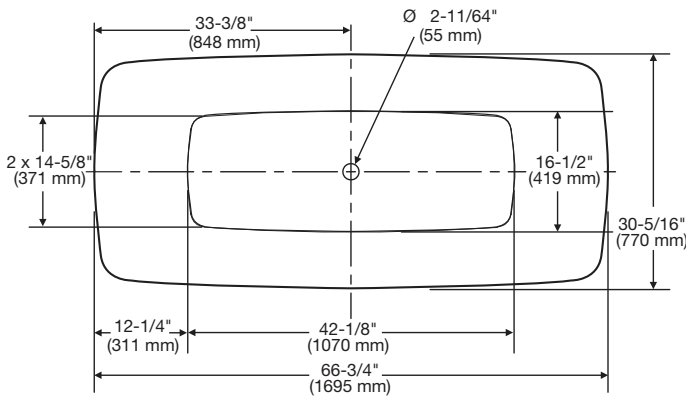
- Silicone Caulking
- Tub & Tile Caulk

## ROUGHING-IN REFERENCES FREESTANDING MODELS

-see appropriate sections for details

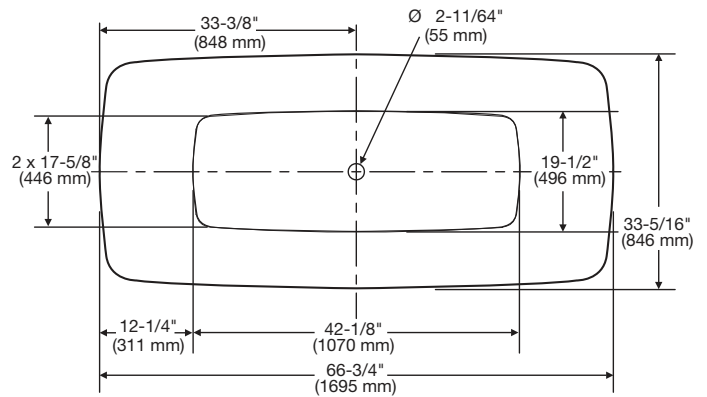
### Equility® Model D12045-004

5-1/2' x 30" (1676 x 768 mm)

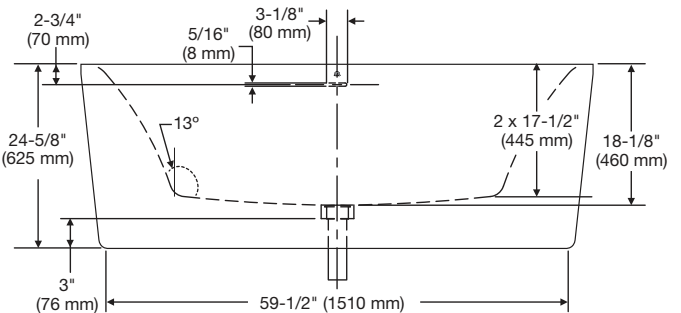
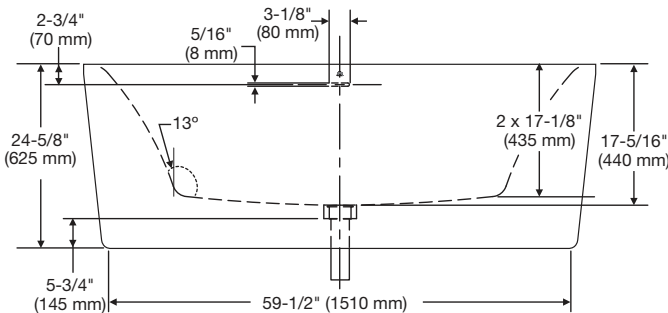


### Equility Model D12045-014

5-1/2' x 33" (1676 x 838 mm)



Freestanding tubs use wall-mounted or freestanding faucets. The waste and overflow assembly is concealed between the walls of the tub, eliminating the need for a decorative exposed drain kit. Dotted Line Represents Bathing Well



## GENERAL SPECIFICATIONS FOR EQUILITY FREESTANDING BATH — TABLE 1

Description	Water Depth to Overflow	Bathing Well at Sump	Bathing Well at Rim	Weight with Water / Floor Loading	Product Weight	Gallon to Overflow
Equility 5-1/2' x 30" (1676 x 768 mm) D12045-004	14-1/2" (370 mm)	42-1/8" x 16-1/2" (1070 x 419 mm)	60-1/8" x 24-1/2" (1527 x 622 mm)	590 lbs. (268 kg.) 56 lbs./ft <sup>2</sup> (273 kgs/m <sup>2</sup> )	93 lbs. (42 kg.)	60 gal. (226 l.)
Equility 5-1/2' x 33" (1676 x 838 mm) D12045-014	15-3/8" (390 mm)	42-1/8" x 19-1/2" (1070 x 495 mm)	60-1/8" x 27-1/4" (1527 x 692 mm)	672 lbs. (305 kg.) 57 lbs./ft <sup>2</sup> (279 kgs/m <sup>2</sup> )	122 lbs. (55 kg.)	66 gal. (250 l.)

For more details, see specification page per model at [www.d xv.com](http://www.d xv.com)  
The drain outlet is directly under the drain hole in the tub.

## 1 INSTALLATION INSTRUCTIONS:

- Place the tub on a finished, level floor in the desired location.
- <sup>a</sup> Using an erasable pencil or marker, trace the outline of the base of the tub on the floor. (See **Fig. 1**)

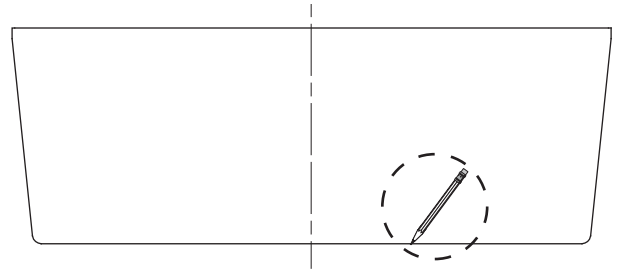


FIG. 1

## 2

- Using the adjustable feet on the underside of the tub, ensure that the tub is level.
- Ensure that there is a gap between the tub base and the floor. Gap shall not exceed 1/8" [3 mm]. (See **Fig. 2**)

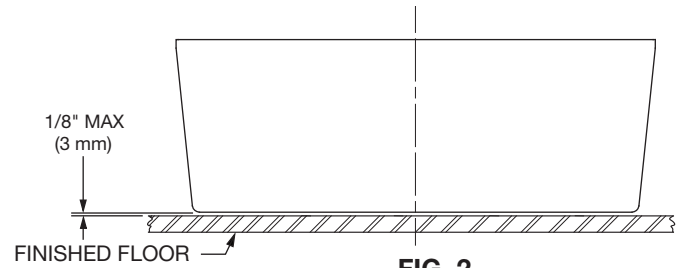


FIG. 2

## 3 REMOVE THE TUB

- Using the traced outline for reference, confirm that the drain/waste outlet in the floor will align with the tub drain outlet.

(Tub drain outlet will be located in the center of the traced outline. See **Fig. 3**)

**Note: The drain/waste outlet must be installed in accordance with all local building codes.**

**All drain connections must be made using an access created beneath the tub.**

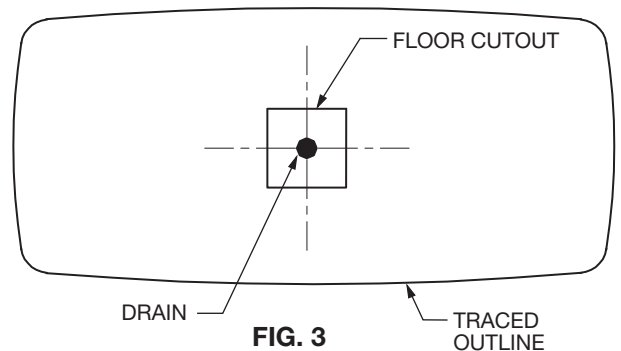


FIG. 3

## 4 INSTALLING THE 1-1/2" DIAMETER TAIL PIECE ASSEMBLY INTO P-TRAP

- The tail piece assembly, consisting of a flanged tail piece, drain tail piece gasket and slip-joint nut used to connect the the tub drain to the drain/waste outlet, is included with this product.
- The 1-1/2" diameter tail piece is compatible with drain provided. (See **Fig. 4**)
- Slide the slip-joint nut over tail piece towards the flanged end as shown.
- Slide the P-trap slip-joint nut and seal over the tail piece as shown.
- Insert the tail piece into the P-trap.
- The flange of the tail piece should be approximately 5-3/4" [145 mm] or 3" [76 mm] depending on model, above the finished floor when fully inserted into the P-trap.
- The tail piece can be cut if necessary.

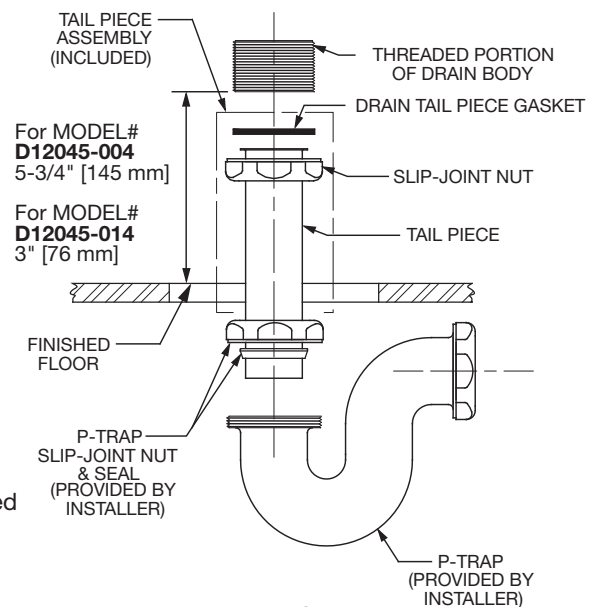
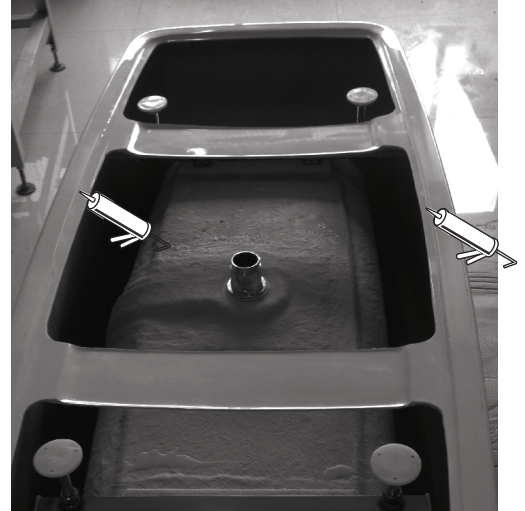


FIG. 4

---

**5**

- Apply a generous bead of silicone caulking to the base of the tub.  
(See Fig. 5)



**FIG. 5**

---

**6**

- Carefully set the tub into position. Ensure that drain tail piece gasket is fully seated against the tail piece flange.
- Connect the tail piece to the tub drain. Tighten all of the drain connections. Remove any excess caulking where the tub meets the floor.

**Note: Connecting the tail piece assembly to the drain will require access from beneath the tub.**

---

**7**

- Fill the tub with water and drain. Check for leaks and re-tighten connections as necessary.

---

**8**

- Apply a bead of Tub & Tile caulk around the bottom edge of the tub where it meets the floor. Remove any excess caulking.

---

## FIXTURES

No fixtures can be mounted on the tub deck of freestanding tubs. Floor or wall-mounted fixtures are required.

**Wall-Mounted** - The position of the tub and the reach of the spout are critical. Pay special attention to the spout reach when choosing your fixtures. Be careful to ensure the spout will extend out far enough to clear the tub flange and the falling water will not hit too high up on the side wall of the tub and splash.

**Floor-Mounted** - Some freestanding fixtures must be anchored to the tub drain for stabilization. The waste and overflow on freestanding tubs are concealed so anchoring to the overflow pipe (or tub structure) is not possible. Many kits (with minor modification) can be mounted to the wall (rather than the drain pipe) for stabilization.

## POST INSTALLATION CLEAN-UP

Remove all construction debris from bath. Tile grout can be removed with a wooden Popsicle stick or tongue depressor. Do not use wire brushes or any other metal implement on bath surface.

Post installation clean-up generally can be completed using warm water and liquid dishwashing detergent. Stubborn dirt or stains may be removed using granular Spic and Span® mixed with water.

**In the United States:**

DXV  
30 Knightsbridge Road  
Piscataway, New Jersey 08854  
Attention: Director of Customer Care

For residents of the United States, warranty information may also be obtained by calling the following toll free number: (800) 227-2734  
[www.DXV.com](http://www.DXV.com)

**In Canada:**

DXV  
5900 Avebury Road  
Mississauga, Ontario  
L5R 3M3  
Canada

Toll Free: 1-800-387-0369  
Local: 905-306-1093  
Fax: 1-800-395-1498  
[www.DXV.ca](http://www.DXV.ca)

**In Mexico:**

DXV  
Via Morelos 330  
Col. Santa Clara Coatitla  
Ecatepec, Estado de México 55540

Toll Free: 01-800-8391200  
[www.DXV.mx](http://www.DXV.mx)