

# INSTALLATION INSTRUCTIONS



<b>COSSU™</b>	<b>5-1/2' x 36"</b>	<b>MODEL D60545</b>
<b>FITZGERALD®</b>	<b>5-1/2' x 36"</b> <b>(Includes Base)</b>	<b>MODEL D62645</b>
<b>ST. GEORGE®</b>	<b>5-1/2' x 36" OVAL</b> <b>(Includes Base)</b>	<b>MODEL D62745</b>
<b>ST. GEORGE</b> Freestanding Tub with Deck	<b>5-1/2' x 36" OVAL</b> <b>(Includes Base)</b>	<b>MODEL D62747</b>
<b>LOWELL™</b>	<b>6' x 36" OVAL</b>	<b>MODEL D12035</b>

*Thank you for selecting DXV. To ensure this product is installed properly, please read these instructions carefully before you begin. (Certain installations may require professional help.) Also be sure your installation conforms to local codes.*

**▲ CAUTION: PRODUCT IS FRAGILE. TO AVOID BREAKAGE AND POSSIBLE INJURY HANDLE WITH CARE!**

**ATTENTION INSTALLER:**  
**Please deliver this manual to homeowner.**

**In the United States:**

DXV  
One Centennial Avenue  
Piscataway, New Jersey 08855  
Attention: Director of Customer Care

For residents of the United States, warranty information may also be obtained by calling the following toll free number: (800) 227-2734  
[www.DXV.com](http://www.DXV.com)

**In Canada:**

DXV  
5900 Avebury Road  
Mississauga, Ontario  
L5R 3M3  
Canada

Toll Free: 1-800-387-0369  
Local: 905-306-1093  
Fax: 1-800-395-1498  
[www.DXV.ca](http://www.DXV.ca)

**In Mexico:**

DXV  
Vía Morelos 330  
Col. Santa Clara Coatitla  
Ecatepec, Estado de México 55540

Toll Free: 01-800-8391200  
[www.DXV.mx](http://www.DXV.mx)

**TABLE OF CONTENTS:**

Cover .....Page 1

Table of Contents .....Page 2

Safety Instructions Notice .....Page 3

General Installation Information .....Page 4

Tub Specifications .....Page 5

Roughing-in Reference.....Page 6

Freestanding Tubs .....Page 7

Post Installation Instructions .....Page 8


# IMPORTANT SAFETY INSTRUCTIONS


## READ AND FOLLOW ALL INSTRUCTIONS!


 **WARNING: *Risk of personal injury.*** Do not permit children to use this bathtub without adult supervision. Never drop or insert any object into any opening.

 **WARNING: *Risk of electric shock.*** Do not permit electrical appliances near any bathtub when bathtub contains water.

 **WARNING: *Risk of hyperthermia and possible drowning.*** People using medications and/or having adverse medical history should consult a physician before using this product.

 **WARNING: *Risk of personal injury.*** Do not overfill bathtub before entering. Entering tub when filled more than 2/3 can cause overflow and slippery conditions. Exercise caution when entering and exiting.

 **WARNING: *No Food or Alcoholic Beverages.*** Use of your bathtub immediately after meals is not recommended. Avoid alcohol consumption before or during bathing. Alcoholic beverages can cause drowsiness or hyperthermia resulting in loss of consciousness or even drowning.

 **WARNING: *Pregnancy.*** If you are or think you may be pregnant, consult your physician before using the bathtub.

Use this unit only for its intended use as described in this manual.  
Do not use any attachments not recommended by DXV.

## SAVE THESE INSTRUCTIONS

## GENERAL INSTALLATION INFORMATION

Carefully uncrate and inspect your new bath for any shipping damage. If such damage is found, report it to your vendor immediately. After inspection and during installation, protect the bath from construction damage. Before installation, and before enclosing with wallboard, tile, etc., the bath must be filled with water to check for leaks that may have resulted from shipping damage or mishandling! Fittings (bath filler, shower arm, etc.) are not provided with the bath and must be ordered separately. Framing and enclosing materials are provided by others. Follow test procedures carefully.

## ATTENTION INSTALLER!

**THIS TUB MUST BE TESTED FOR OPERATION AND LEAKS PRIOR TO ENCLOSURE OF SURROUNDING AREAS. FAILURE TO DO SO WILL VOID WARRANTY. THIS TUB WAS WATER TESTED AT THE FACTORY AND FOUND TO BE FULLY OPERATIONAL AND LEAK FREE PRIOR TO SHIPPING. FREIGHT HANDLING AND JOB SITE EXPOSURE MAY HAVE DETERIORATED THE TUB'S CONDITION. IT IS THE RESPONSIBILITY OF THE INSTALLER TO THOROUGHLY TEST THE UNIT PRIOR TO INSTALLATION. TUBS ARE INTENDED FOR INDOOR USE ONLY.**

### TEST PROCEDURES:

1. Place the tub on a flat surface such as a driveway.
2. Seal the drain with tape.
3. Fill tub and allow tub to stand for five minutes. Examine all fittings carefully for leaks.

**NOTE:** The overflow is a plumbing device designed to prevent water from reaching a certain level in your tub. DO NOT, under any circumstances, tape off or block the overflow in any way.

4. **If any leaks or operating problems are discovered, do not complete installation until problems are resolved. DXV will not be responsible for any costs involved with removing or reinstalling the tub, or for the costs of any surrounding materials or labor.**

If you have installation or warranty questions please do not return the unit to the place of purchase. Call 800-227-2734

Always protect tub from construction damage by using a protective cover. Damage, including chips and scratches incurred at the jobsite is excluded from warranty but may be repaired by qualified technician at the owner's expense. Do not stand in the tub or store materials in the tub during construction. Do not store tub in temperatures below 32 degrees Fahrenheit. Proper waste and overflow installation is the responsibility of the installer. DXV does not warrant leaks associated with improper waste and overflow installation.

Check for availability of optional DXV wall tiling bead (required for recess installation).  
Protect all finished surfaces of the bathtub during construction and installation using a drop cloth.

## RECOMMENDED TOOLS AND MATERIALS

Most of the procedures require the use of common tools and materials, which are available from hardware and plumbing, supply stores. It is essential that the tools and materials be on hand before work is begun.

### Tools

- Level
- Tape Measure
- Pipe Wrench
- Slip Joint Pliers
- Screw Driver
- Standard Woodworking Tools
- Personal Safety Equipment
- Caulking Gun

### Supplies

- Nails
- Putty
- Caulking (waterproof)
- 1 X 4 Stringers
- Drop Cloth
- Cement, Plaster, Grout
- Liquid Nails  
(Freestanding Models Only)

### Optional Components (not included):

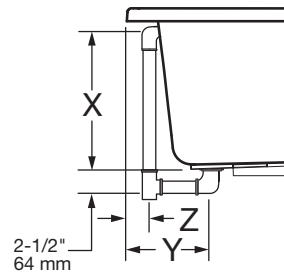
- Tile Bead Kits (P/N 751755-100)

### Required Components:

- Drain (not included)
- Bath Filler (not included)

## SPECIFICATIONS

### DECK TO C/L OVERFLOW



## GENERAL SPECIFICATIONS

Description	Drain / Overflow	Cut Out Pier G x F	Rough-In Recess A x C	Weight with Water / Floor Loading	Product Weight	Gallon to Overflow
Cossu™ 5-1/2' x 36" (1676 x 914 mm) D60545	X: 16-3/8" (416 mm) Y: 10" (254 mm) Z: 5-1/4" (133 mm)	64-1/2" x 34-1/2" (1638 x 880 mm)	66-1/4" x 36-1/4" (1682 x 920 mm)	42 lbs./ft <sup>2</sup>	190 lbs. (86 kg.)	68 gal. (260 l.)
Fitzgerald® 5-1/2' x 36" (1676 x 914 mm) D62645	X: 16-3/8" (416 mm) Y: 10" (254 mm) Z: 7" (178 mm)	64-1/4" x 34-1/2" (1630 x 880 mm)	66" x 36" (1677 x 914 mm)	50 lbs./ft <sup>2</sup>	250 lbs. (114 kg.)	84 gal. (320 l.)
St. George® 5-1/2' x 36" (1676 x 914 mm) D62745	X: 16-1/2" (419 mm) Y: 9-1/2" (241 mm) Z: 6-3/8" (62 mm)	Use Template Provided	See Template Dimensions -Next Page-	56 lbs./ft <sup>2</sup>	200 lbs. (91 kg.)	80 gal. (300 l.)
St. George 5-1/2' x 36" (1676 x 914 mm) D62747	X: 16-1/2" (419 mm) Y: 9-1/2" (241 mm) Z: 6-3/8" (62 mm)	Use Template Provided	See Template Dimensions -Next Page-	56 lbs./ft <sup>2</sup>	200 lbs. (91 kg.)	80 gal. (300 l.)
Lowell™ 6' x 36" (1829 x 914 mm) D12035	X: 18" (457 mm) Y: 8-1/4" (209 mm) Z: 3-1/8" (79 mm)	—	—	—	140 lbs. (63 kg.)	102 gal. (386 l.)

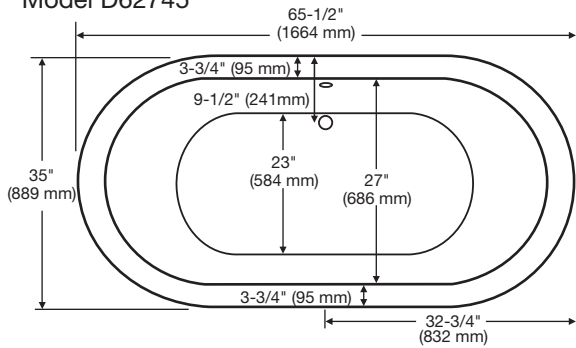
**TABLE 1**

For more details, see specification page per model at [www.dvx.com](http://www.dvx.com)  
The drain outlet is directly under the drain hole in the tub.

## ROUGHING-IN REFERENCES FREESTANDING MODELS

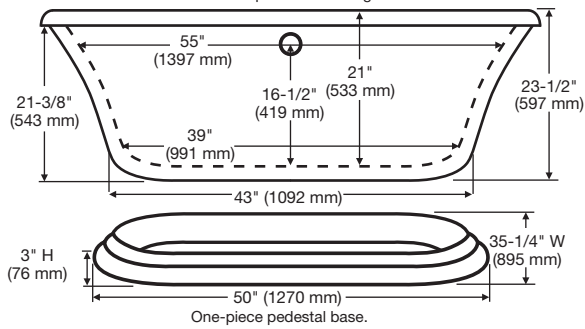
-see appropriate sections for details

**St. George**  
5-1/2' x 36" Oval (1676 x 914 mm)  
Model D62745



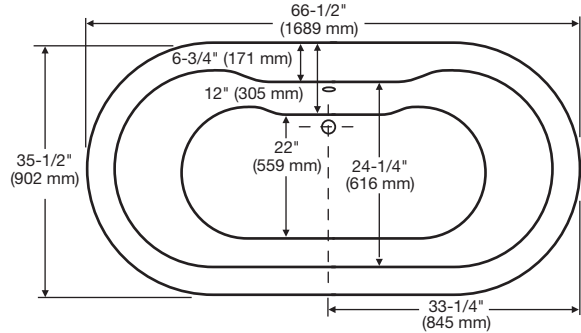
Freestanding tubs use wall-mounted or freestanding faucets. The waste and overflow assembly is concealed between the walls of the tub, eliminating the need for a decorative exposed drain kit.

Dotted Line Represents Bathing Well



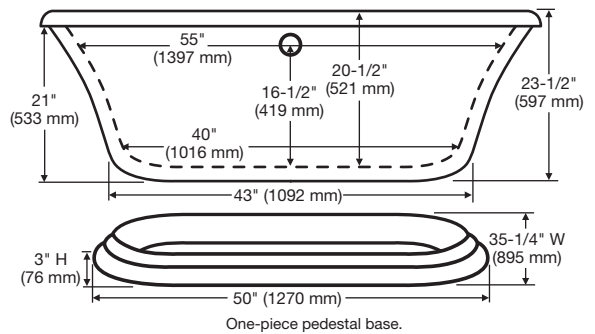
Measurements are  $\pm \frac{1}{2}$ " (13 mm) and are subject to change without notice. Data herein supersedes all previous prior to publication date shown below.

**St. George®**  
5-1/2' x 36" (1676 x 914 mm) Model D62747  
Freestanding Tub with Deck



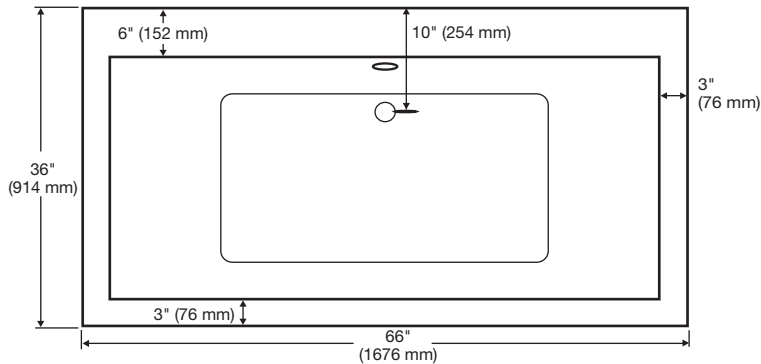
Freestanding tubs use wall-mounted or freestanding faucets. The waste and overflow assembly is concealed between the walls of the tub, eliminating the need for a decorative exposed drain kit.

Dotted Line Represents Bathing Well



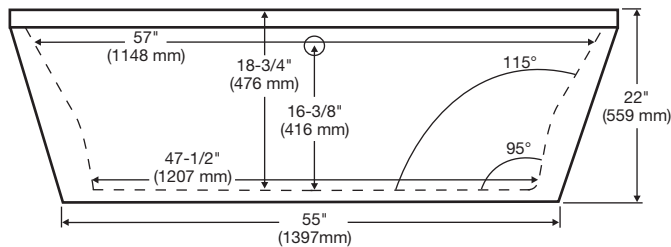
Measurements are  $\pm \frac{1}{2}$ " (13 mm) and are subject to change without notice. Data herein supersedes all previous prior to publication date shown below.

**Cossu™**  
5-1/2' x 36" (1676 x 914 mm)  
Model D60545



Freestanding tubs use wall-mounted or freestanding faucets. The waste and overflow assembly is concealed between the walls of the tub, eliminating the need for a decorative exposed drain kit.

Dotted Line Represents Bathing Well



Measurements are  $\pm \frac{1}{2}$ " (13 mm) and are subject to change without notice. Data herein supersedes all previous prior to publication date shown below.

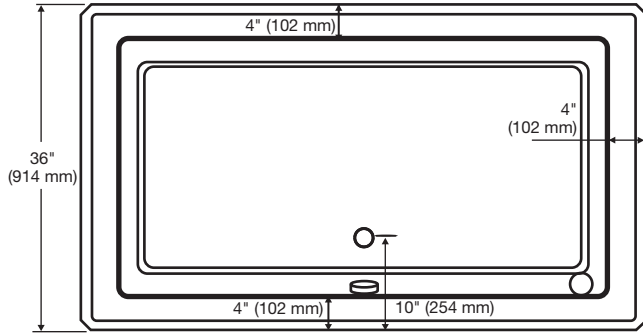
## ROUGHING-IN REFERENCES FREESTANDING MODELS

-see appropriate sections for details

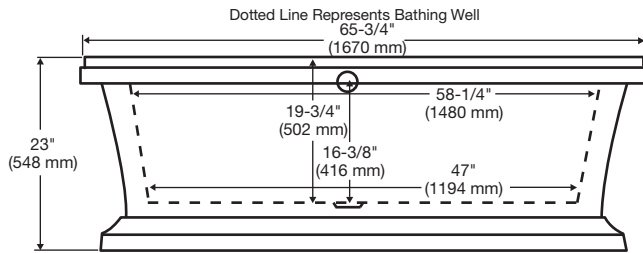
**Fitzgerald®**

5-1/2' x 36" (1676 x 914 mm)

Model D62645



Freestanding tubs use wall-mounted or freestanding faucets. The waste and overflow assembly is concealed between the walls of the tub, eliminating the need for a decorative exposed drain kit.

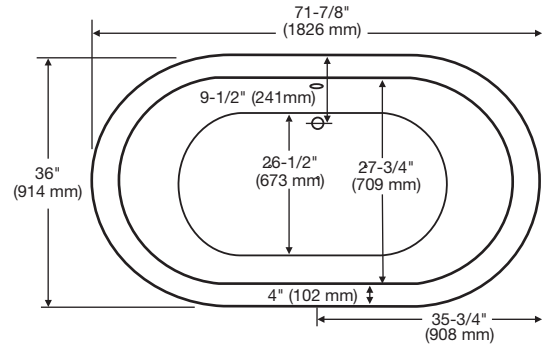


Measurements are  $\pm 1/2"$  (13 mm) and are subject to change without notice. Data herein supersedes all previous prior to publication date shown below.

**Lowell™**

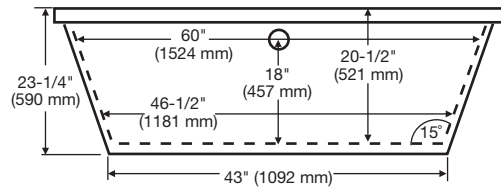
6' x 36" Oval (1829 x 914 mm)

Model D12035



Requires use of a wall-mounted or freestanding tub filler. The drain and overflow assembly is concealed between the walls of the tub, eliminating the need for an exposed drain kit.

Dotted Line Represents Bathing Well



Measurements are  $\pm 1/2"$  (13 mm) and are subject to change without notice. Data herein supersedes all previous prior to publication date shown below.

## GENERAL INFORMATION

**Rough in dimensions** - For critical dimensions, we suggest taking the measurements of the actual tub on site. All printed specifications are +/- 1/2 inch (13 mm) and subject to change without notice.

**Access panel** - A removable access panel is located on the drain side (rear) of the bath. It provides access for installation of the waste and overflow. It is held in place by covered stainless steel screws.

**Pedestal Base** - The optional pedestal base available on some models does not raise the height of the tub, as the tub actually sits down into the base. The base does, however, extend beyond the top rim of the tub by approximately 1" (25 mm). Use care when selecting your free-standing faucet, ensuring that the reach of the spout is adequate so that no modification to the pedestal base will be necessary. If wall mounted fixtures are being used, again be careful to ensure the spout will extend out far enough to clear the tub flange and the falling water will not hit too high up on the side wall of the tub and splash. It may be necessary to omit or trim the baseboard or molding to allow the tub to sit close to the wall. Please note: The pedestal base is not symmetrical; if it does not fit, rotate the base 180°.

## FIXTURES

No fixtures can be mounted on the tub deck freestanding tubs. (Except for St. George Model D62747004 and Cusso Model D60545004) Floor or wall-mounted fixtures are required.

**Wall-Mounted** - The position of the tub and the reach of the spout are critical. Pay special attention to the spout reach when choosing your fixtures. Be careful to ensure the spout will extend out far enough to clear the tub flange and the falling water will not hit too high up on the side wall of the tub and splash.

**Floor-Mounted** - Some freestanding fixtures must be anchored to the tub drain for stabilization. The waste and overflow on freestanding tubs are concealed under the access cover so anchoring to the overflow pipe (or tub structure) is not possible. Many kits (with minor modification) can be mounted to the wall (rather than the drain pipe) for stabilization.

## BASIC INSTALLATION PROCEDURE

- Determine final location of tub. Tub will sit on top of finished flooring, however the drain will sit approximately 1-1/2" to 3" below the finished floor. Tub installed on a slab foundation may require extra effort to gain clearance for the drain.
- Ensure location is structurally sound, flat and level.
- Remove access panel to gain access for waste and overflow installation. Be careful not to damage the access panel during installation.
- Roll tub onto front face, being careful not to damage the acrylic finish. Use packing blanket or other suitable material to protect the surface of the tub.
- Install waste and overflow. **NOTE:** *When installing a "Cable Driven" drain system it may be necessary to dismantle the stem assembly in the "drain overflow" for certain tubs to properly fit, then reassemble once installed into tub.*
- Using two 2' x 4's to elevate the tub above the floor, align the tub so that the drain lines up with the P-trap in the floor. **DO NOT LET THE TUB REST ON THE DRAIN PLUMBING.**
- Apply a 3/8" bead of Liquid Nails to the bottom of the tub to adhere it to the floor. Use care not to allow adhesive to get on the outside surface of tub or surrounding floor area. Wipe any excess immediately with a soft, damp cloth.
- Carefully remove the 2' x 4' supports and lower the tub to the floor, making sure that the drain drops into the P-trap.
- Check that the drain is properly aligned, complete drain installation and reinstall the access cover.
- Allow to set for 24 hours before using.

## WASTE AND OVERFLOW

Due to limited space between the inner and outer tub shells, use care when selecting your drain kit. Use a cable driven or toe-tap style. If you ordered your bath with an air system, you **MUST** use the drain kit included. If access is available from below during the final installation, it is easier to make precise adjustments in the final location of the tub.

## POST INSTALLATION CLEAN-UP

Remove all construction debris from bath. Tile grout can be removed with a wooden Popsicle stick or tongue depressor. Do not use wire brushes or any other metal implement on bath surface.

Post installation clean-up generally can be completed using warm water and liquid dishwashing detergent. Stubborn dirt or stains may be removed using granular Spic and Span® mixed with water.

Painter's naphtha can be used to remove excess adhesives and/or wet oil-base paint.