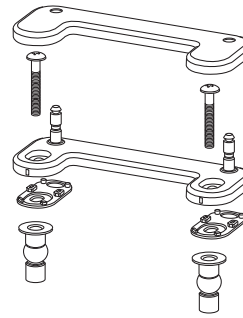


INSTALLATION INSTRUCTIONS

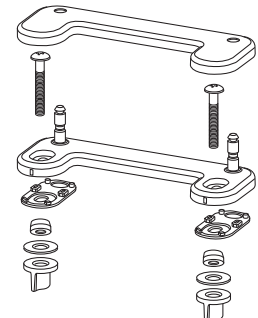


TOILET SEAT TOP MOUNT & BOTTOM MOUNT

Thank you for selecting DXV. To ensure this product is installed properly, please read these instructions carefully before you begin. (Certain installations may require professional help.) Also be sure your installation conforms to local codes.



TOP MOUNT
1A - 10A

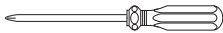


BOTTOM MOUNT
1B - 9B

NOTE: Pictures may not exactly depict toilet seat and components.

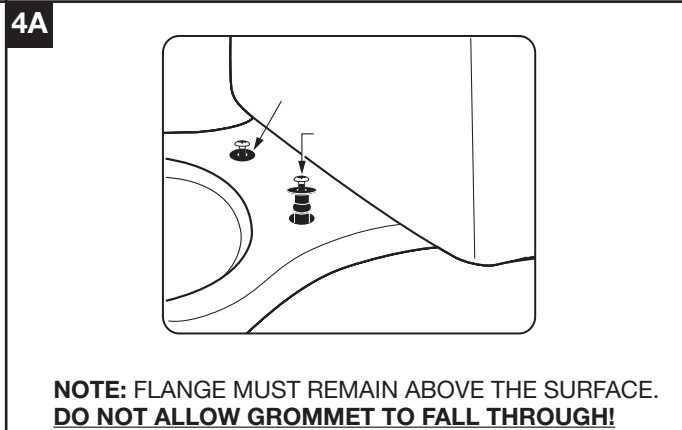
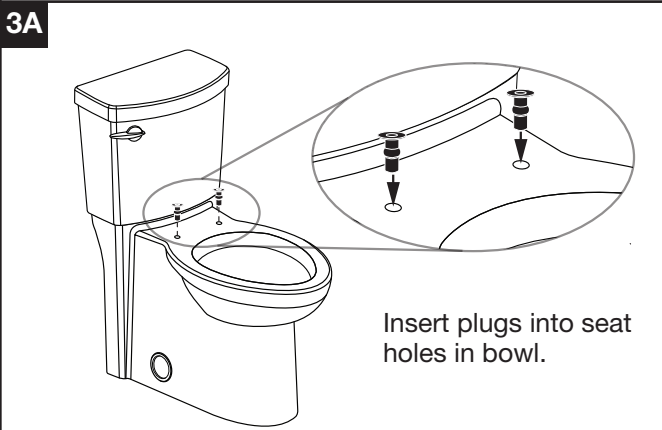
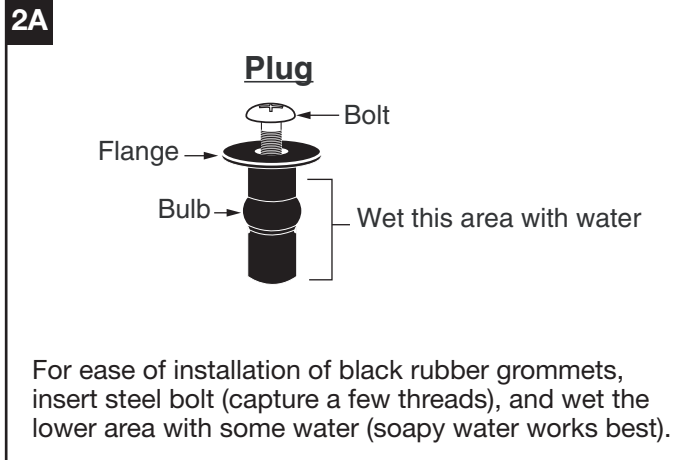
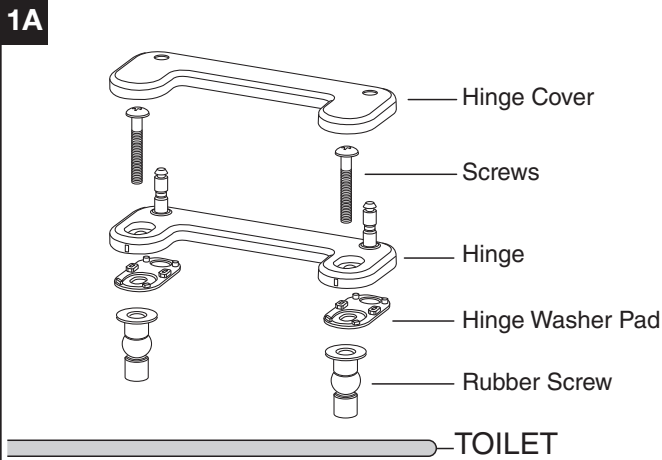
RECOMMENDED TOOLS AND MATERIALS

Most of the procedures require the use of common tools and materials, which are available from hardware and plumbing supply stores. It is essential that the tools and materials be on hand before work has begun.



Phillips Screwdriver

TOP MOUNT



S
A
V
E

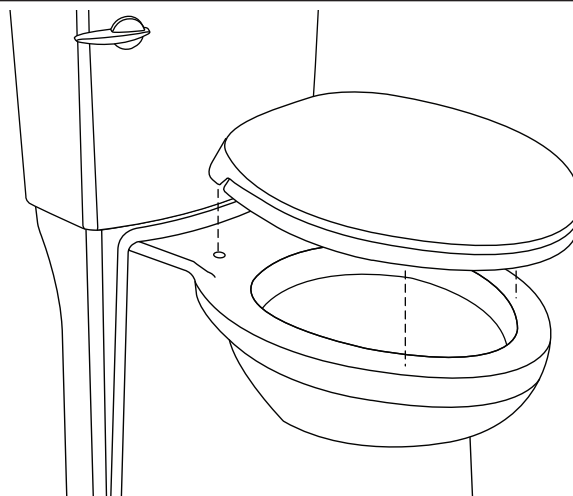
F
U
T
U
R
E

U
S
E

5A

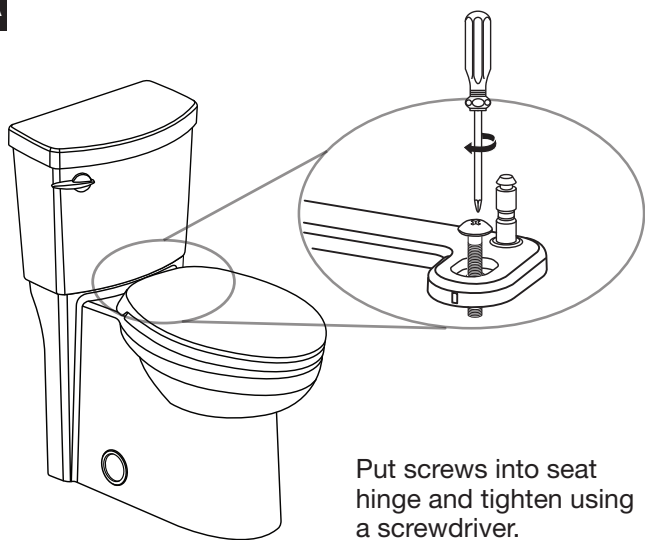


6A

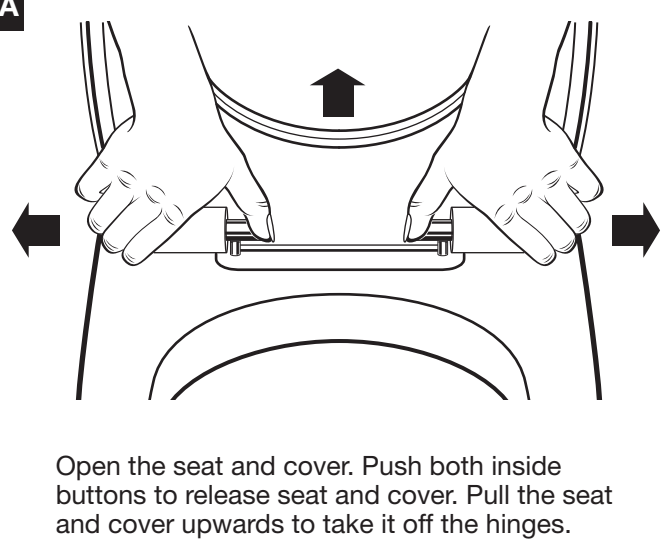


Place seat with hinges onto bowl.
Align seat with front of bowl.

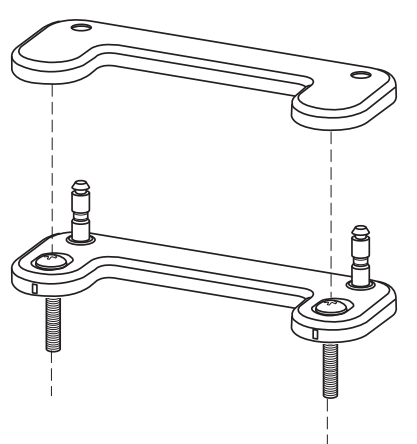
7A



8A

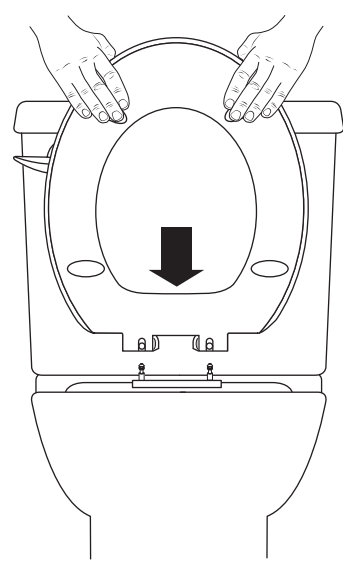


9A



Place hinge cover over the hinges.

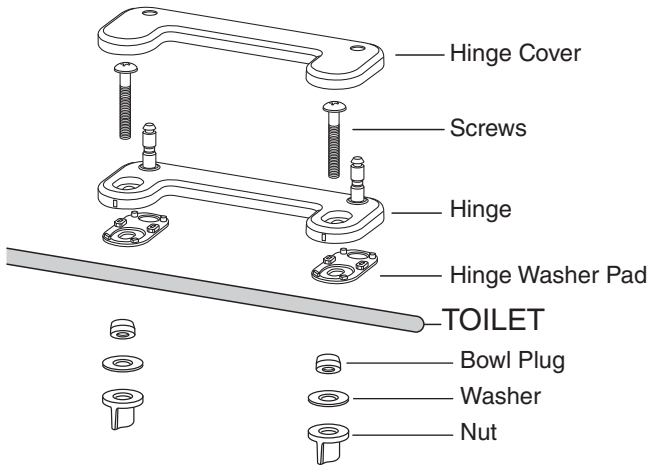
10A



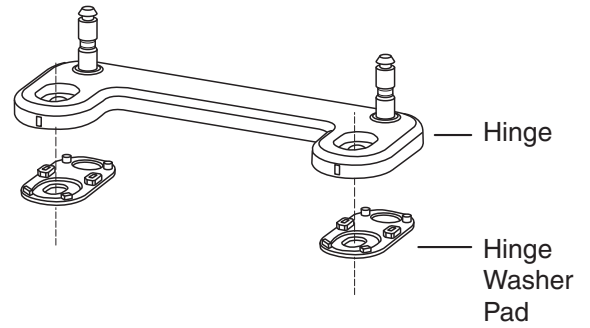
Place seat back on bowl and click seat onto hinges.

BOTTOM MOUNT

1B

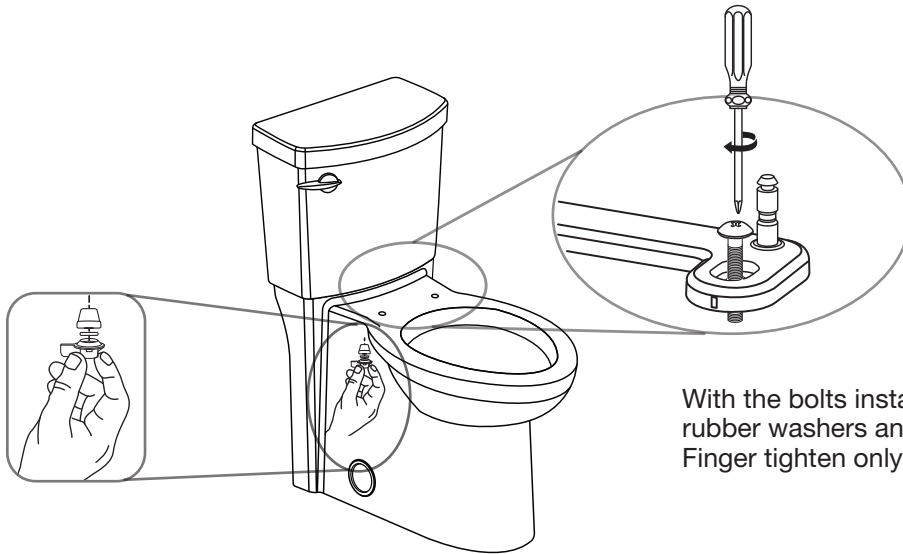


2B



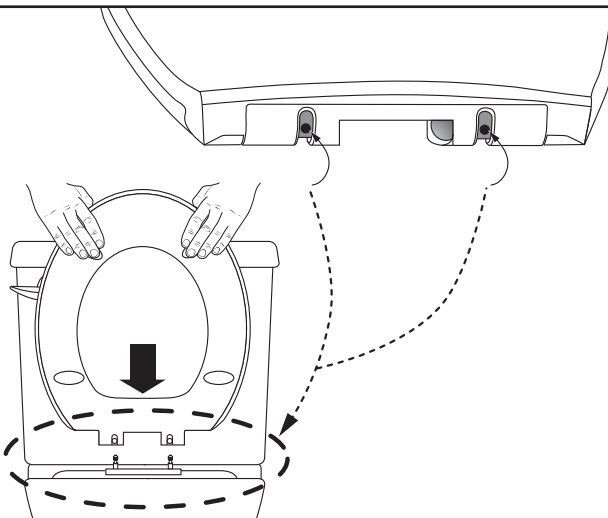
Install hinge washer pad into hinge.

3B



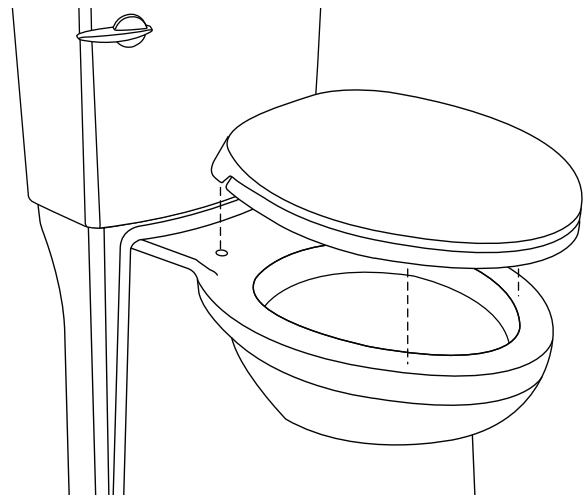
With the bolts installed, thread the winged nuts, rubber washers and rubber plugs on to the bolts. Finger tighten only so that hinge can still turn.

4B



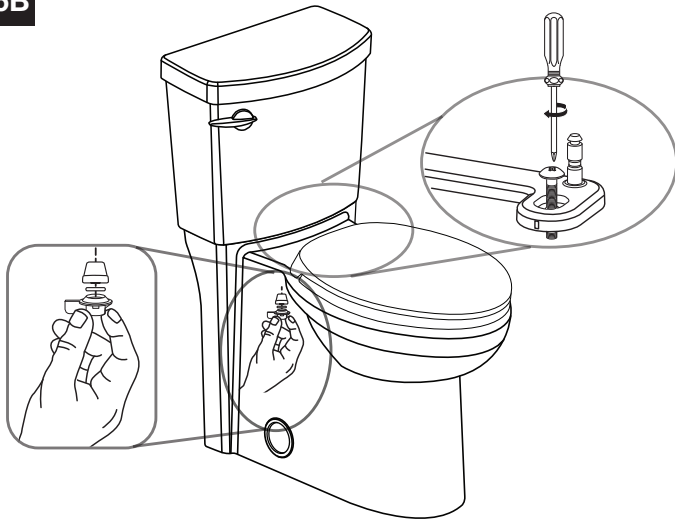
Snap hinges with washer into holes on the bottom of the seat.

5B



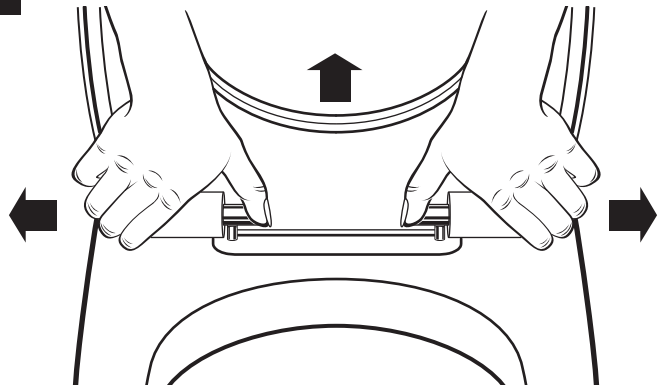
Place seat with hinges onto bowl. Align seat with front of bowl.

6B



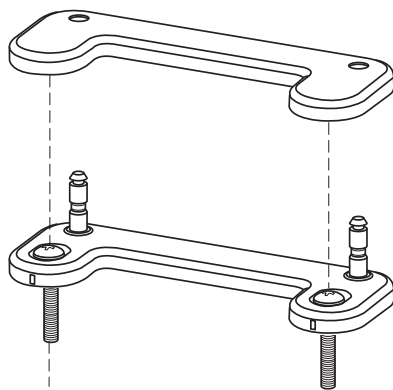
While holding the nut, use a screwdriver to tighten the hinge.

7B



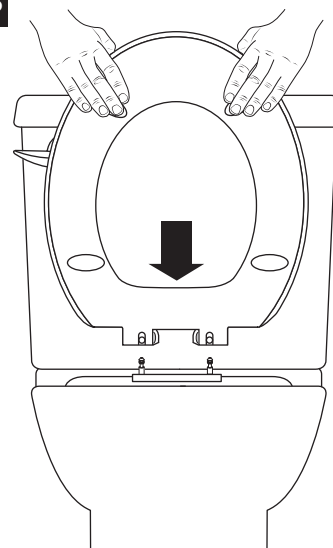
Open the seat and cover. Push both inside buttons to release seat and cover. Pull the seat and cover upwards to take it off the hinges.

8B



Place hinge cover over the hinges.

9B



Place seat back on bowl and click seat onto hinges.

REPLACEMENT KIT

PART NUMBER	DESCRIPTION
760234-100.XXX	*SEAT MOUNTING KIT: INCLUDES BOTH TOP & BOTTOM MOUNTING HARDWARE

In the United States:

DXV by American Standard
30 Knightsbridge Rd.
Piscataway, New Jersey 08855
Attention: Director of Customer Care

For residents of the United States, warranty information may also be obtained by calling the following toll free number: (800) 227-2734
www.DXV.com

In Canada:

DXV5900 Avebury Road
Mississauga, Ontario
L5R 3M3
Canada

Toll Free: 1-800-387-0369
Local: 905-306-1093
Fax: 1-800-395-1498
www.DXV.ca

In Mexico:

DXV Via Morelos 330
Col. Santa Clara Coatitla
Ecatepec, Estado de México 55540

Toll Free: 01-800-8391200
www.DXV.mx