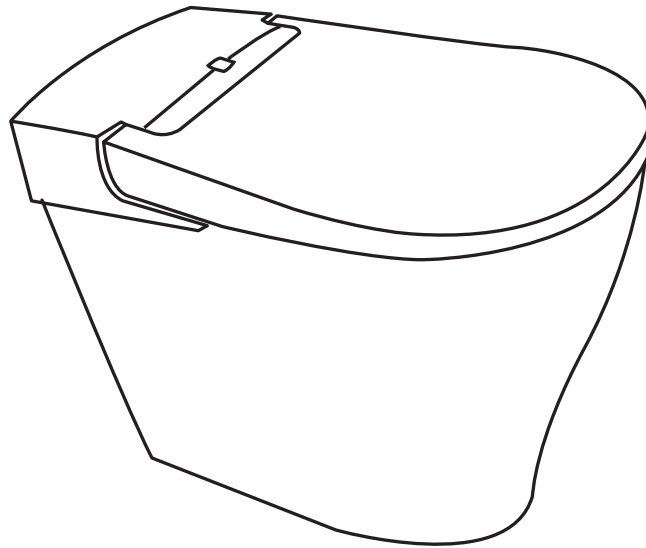


AT200[®]LS SpaLet[®] INSTALLATION MANUAL



*Meets the Americans with Disabilities Act Guidelines and ANSI A117.1 Requirements for Accessible and Usable Building Facilities-Check Local Codes.

This manual consists of two parts; the first part contains safety precautions and descriptions of the procedures when installing the SpaLet®, and the second part contains visual installation methods. Please use this manual in reference to each part.

SAFETY PRECAUTIONS


For safe installation and use of the product, please read the precautions thoroughly before installing the product.


DANGER An imminently hazardous situation which, if not avoided, will result in death or serious injury

WARNING A potentially hazardous situation which, if not avoided, could result in death or serious injury.


CAUTION A potentially hazardous situation which, if not avoided, may result in minor or moderate injury or damage to the product or other property.


DANGER


 Improper connection of the power plug or socket can result in a risk of electric shock.


 All electrical installation work must be carried out by a qualified electrician.
There is a danger of short circuit and/or electric shock.

WARNING


 Follow the instructions described in this manual, and install the product properly. Failure to do so may cause electric shock, fire, injury, water leakage, and/or flooding.


 Do not allow anyone except a certified electrician to disassemble, repair, or modify the product.
There is a danger of electric shock or fire, and the product could malfunction, causing injury.


 Do not connect or disconnect the power plug or socket or power cord with wet hands.
There is a danger of electric shock.


 Hold the plug or socket when connecting or disconnecting the power plug or socket.


If the plug or socket is connected or disconnected by holding the cord, there is a danger of fire or electric shock due to the plug or socket or cord becoming damaged.


 Do not pour water or the cleanser inside or onto the SpaLet seat unit, remote control, or power plug or socket.
It may cause electric shock or fire.

 Do not use any power supply other than AC120V. Also, do not use any other method to connect the plug or socket to an improperly configured receptacle, Exceeding the rated voltage for use.

 Be sure to use a VVF cable (with solid copper wires 20 AWG each) for the power cord. If a power cord other than the one specified above is used (such as strand wires, strand wires attached with terminals, etc.), it may result in overheating due to bad connection and cause corrosion, burnout, fire of the product and cord.

 Connect the power completely. There is a danger of fire or electric shock due to the cord becoming damaged.

 Do not damage, bend, modify, excessively twist, bind, sandwich, or place heavy objects on the power cord. There is a danger of fire or electric shock due to the cord becoming damaged.

 Do not install this product in a wet or damp location, such as inside a shower room or steam room.
There is a danger of electric shock or fire.



Do not attach the product to any water source other than potable water. It may cause electric shock, fire and skin inflammation due corrosion of electronic parts inside the seat unit.



Do not disassemble or modify the product. It may cause electric shock or fire.



Do not use loose outlet. It may cause electric shock or fire.



CAUTION



Install a high-sensitivity, high-speed ground fault circuit interrupter (with a rated current value of 15 mA or below) on the primary side of the power supply.

There is a danger of electric shock.



The SpaLet® bowl is made of ceramics, and ceramics are fragile. Note the following when handling the SpaLet bowl:

- Prior to installation, make sure that the SpaLet bowl is in a good condition and not damaged.
- After installation, check the SpaLet bowl for any damages.

Failure to do so may cause injury, water leakage and/or flooding.



Wash out foreign materials or rust inside the pipes before connecting the product.

Failure to do so could damage the internal parts of the product, which may cause water leakage and/or flooding.



Note the following when using the strainer:

- Close the water shutoff valve when removing the strainer.
- When installing the strainer, tighten it fully so there is no gap.
- Check that the O-ring is free from foreign materials when attaching it.

If foreign materials are attached to the O-ring, it may cause flooding due to water leakage.



Adjust the water shutoff valve and check for water leakage after the installation.

It may cause water leakage and/or flooding.



If the water is expected to be frozen, drain the water out from the product. Failure to do so may cause fire, water leakage, and/or flooding due to damage from freezing.



Drain the air from the pipes after any building construction or renovation, or when water supply is restored after an interruption.

If the water supply contains air, it may cause damage or malfunction to the product or pipes. There is a danger of injury or damage to the building or furniture due to flooding.

POWER SUPPLY

Install the cord and outlet according to the specifications below.

The power distribution work should be done by an electrical contractor.

- **Use an AC120V power supply with a consumption rating.**
If the product is used with other electric appliances, set the corresponding number of outlets.
- **The wiring should be appropriate for the rated power consumption.**
- **Set the outlet within the reach of the cord and high enough from the floor so that water does not reach it. The length of the power cord is 39-3/8".**

Do not insert the power plug into the outlet until the installment is complete. There is danger of malfunction.

WATER SUPPLY

- **Only use potable water as the water supply.**
Using a different water supply (industrial water, well water, etc.) may cause the durability of the electrical and mechanical components to deteriorate, resulting in an accident or malfunction.
- **The water pressure must be more than 14.5 PSI (when flows) or 109 PSI (hydrostatic pressure).**
If the water pressure is lower than the above, please consult your plumber.
- **If the water pressure is higher than 109 PSI, decompress the pressure by using a decompression valve.**

MINIMUM INSTALLATION CLEARANCE

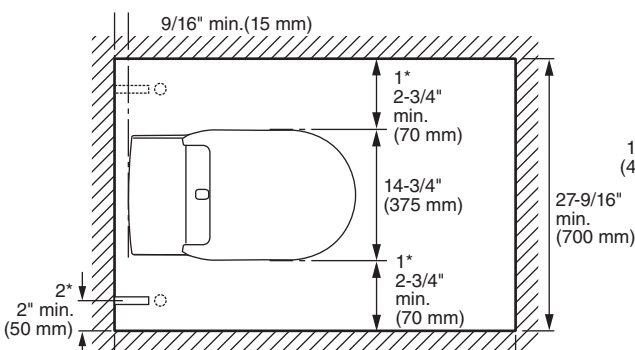
For the required minimum installation clearance, refer to the figure below.

*1 A space of 2 -3/4" or more on each side of the product is recommended. If it is less than 2 -3/4", it may hinder the operation.

*2 Place the water shutoff valve to 2" from the wall.



Meets the Americans with Disabilities Act Guidelines and ANSI A117.1 Requirements for Accessible and Usable Building Facilities-Check Local Codes.



FIRMLY FIX THE WATER SUPPLY PIPE

An impact applied to the hose due to high water pressure may cause vibrations.

Fix the water supply pipe firmly so that it does not loosen. There is a danger vibration or flooding.

TECHNICAL DATA

Rated voltage

AC120V 50/60Hz

Rated power consumption

850 W (environment 68°F, water 59°F)

Max rated power consumption

1440 W (environment 68°F, water 59°F)

Length of the power cord

39-3/8"

Length of the water supply hose

26-3/8"

Waterproof grade

IPX4

Water pressure range

0.1MPa{1.0 bar} [when flows 14.5PSI] ~

0.75MPa{7.5 bar} [hydrostatic pressure 109 PSI]

Water connection cross section

R1/2

Operating temperature range

30°F - 104°F

Units

V = volt, Hz = hertz, W = watt, m = meter,

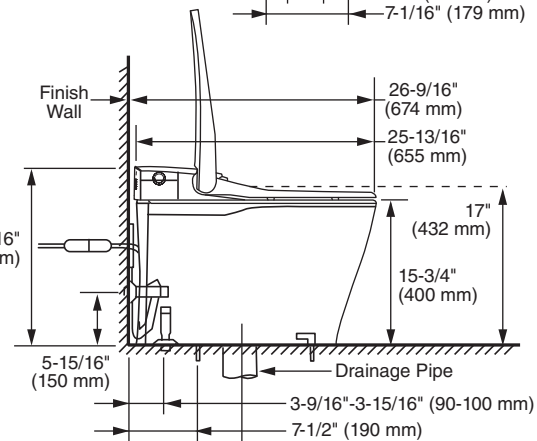
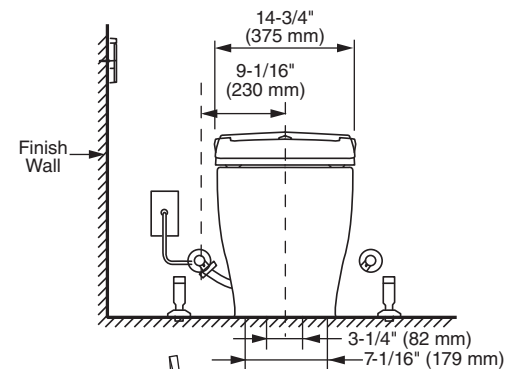
MPa =mega pascal, in = inch,

°C = degrees Celsius, °F = degrees Fahrenheit,

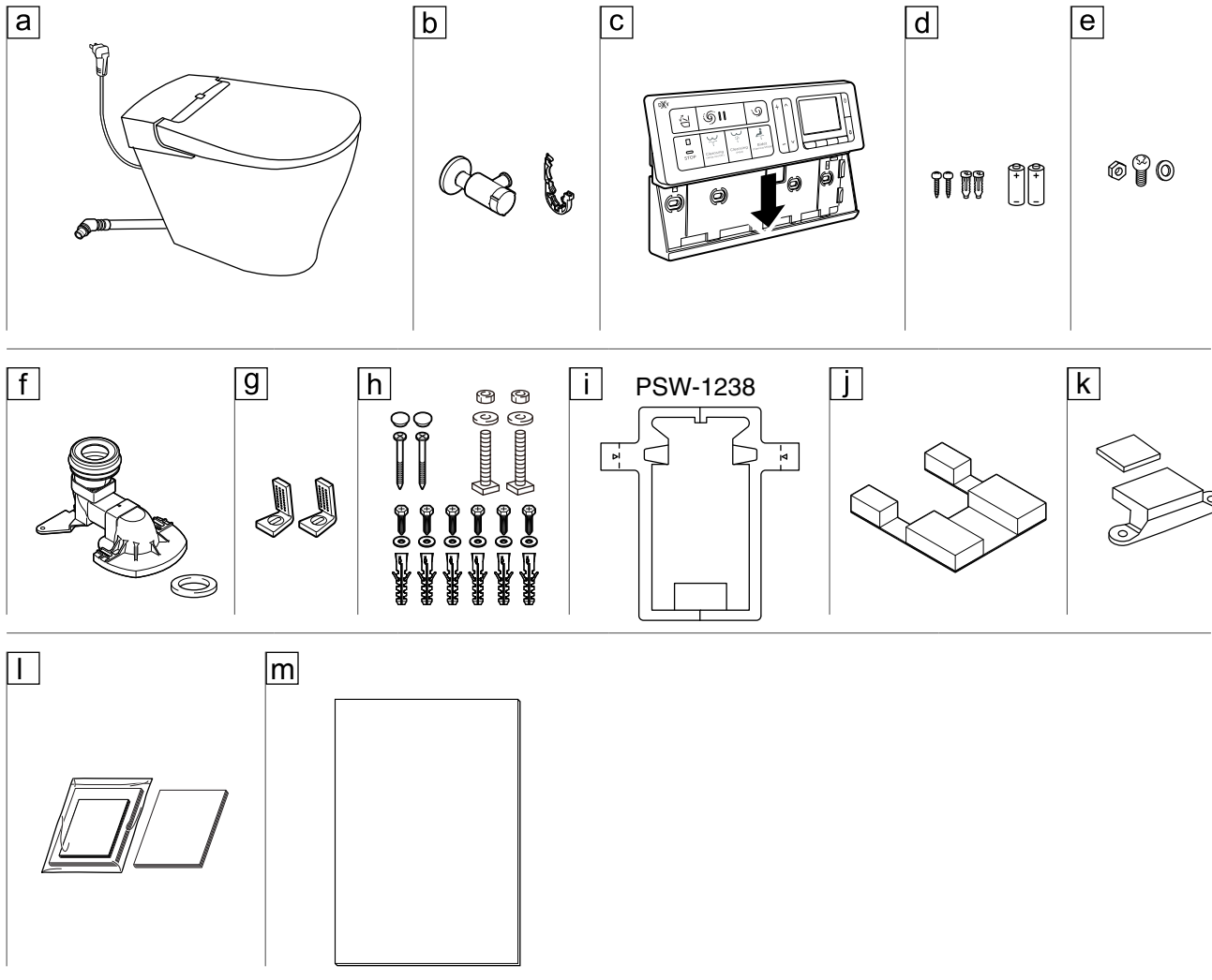
PSI = pounds square inch

Flushing water volume

P-trap: full 1.32 gallons, light .90 gallons

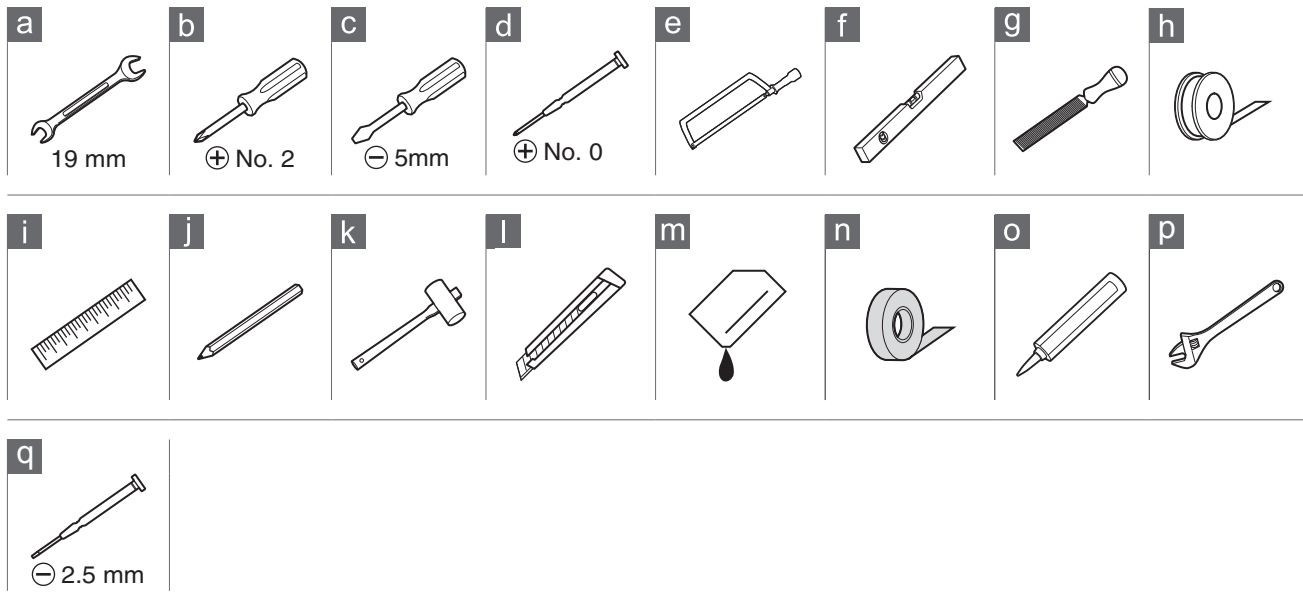


A



A SUPPLIED ITEMS

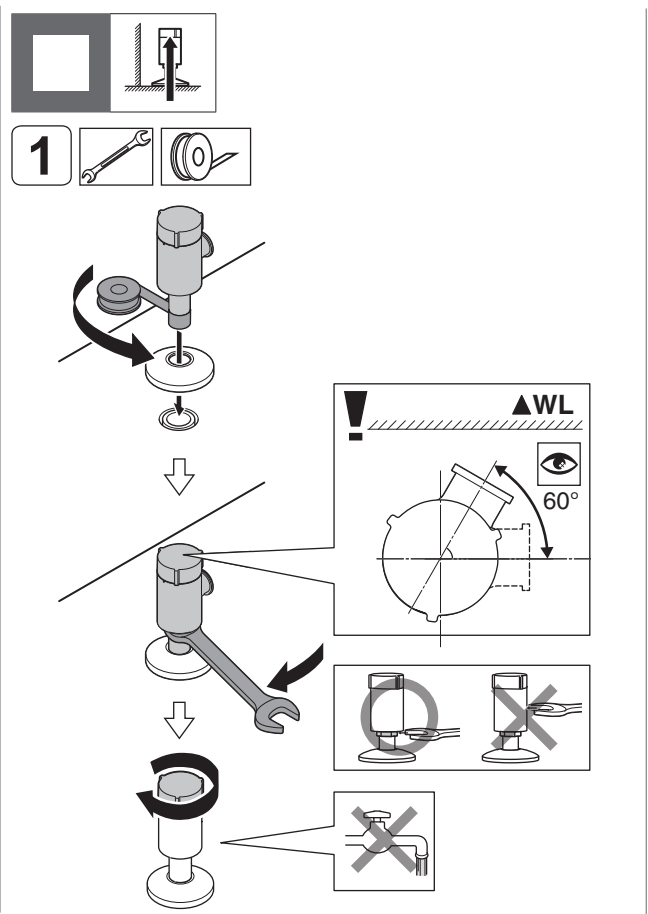
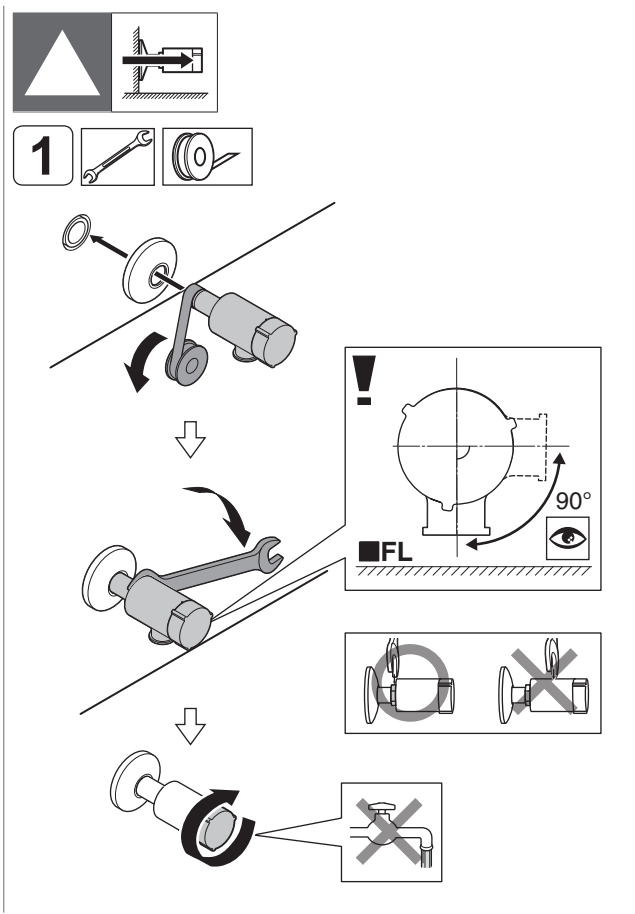
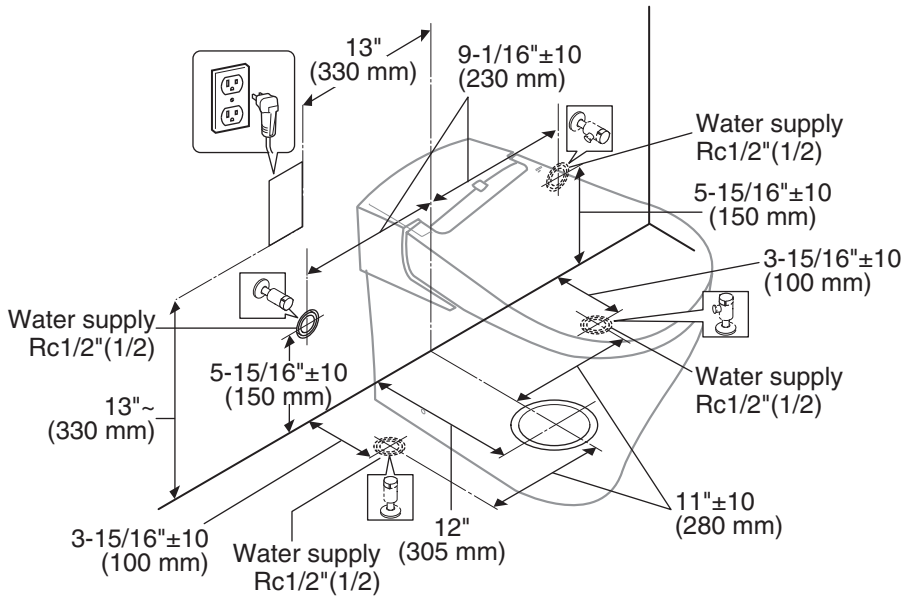
- a** Bidet seat and Water Supply Hose
- b** 1/2" Connection Water Shutoff Valve and Clip
- c** Remote Control
- d** Screws, Anchors, and AA Batteries
(For Remote Control)
- e** Anti-theft Nut, Screw, and Washer
(For Remote Control)
- f** Water Drain Socket
- g** Securing Member
- h** Screw, Washer, Anchor, Screw with Cap, T-bolt Set
- i** Paper Template
- j** Installation Support Base
- k** Front Securing Member / Adhesive material
- l** Manual Set
- m** Wall Protection Cover



B NECESSARY TOOLS

- a** Open End Wrench (19 mm)
- b** Phillips Head Screwdriver (No. 2)
- c** Flat-blade Screwdriver (5 mm)
- d** Phillips Head Precision Screwdriver (No. 0)
- e** Saw
- f** Level
- g** File
- h** Tape
- i** Ruler
- j** Pen
- k** Hammer
- l** Utility Knife
- m** Adhesive
- n** Colored Tape
- o** Caulking Material
- p** Adjustable Wrench
(For Water Shutoff Valve, etc.)
- q** Flat-blade Precision Screwdriver

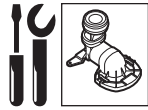
C-1



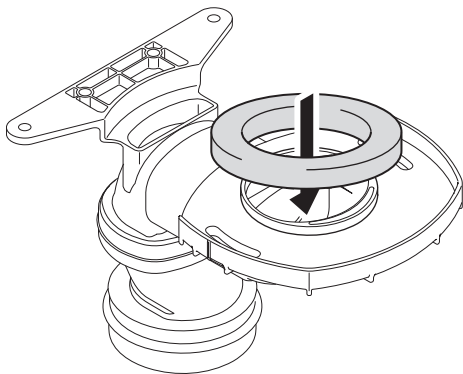
C-1 ATTACHING THE WATER SHUTOFF VALVE

1. Wrap teflon tape around the pipe threads of water shutoff valve.
Adjust the direction of the joint outlet of the water supply hose and attach the water shutoff valve.
Rotate the open/close lever and confirm that the water shutoff valve is closed.

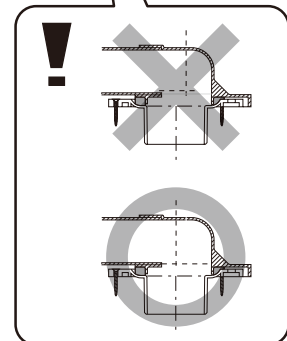
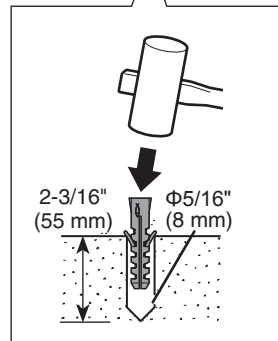
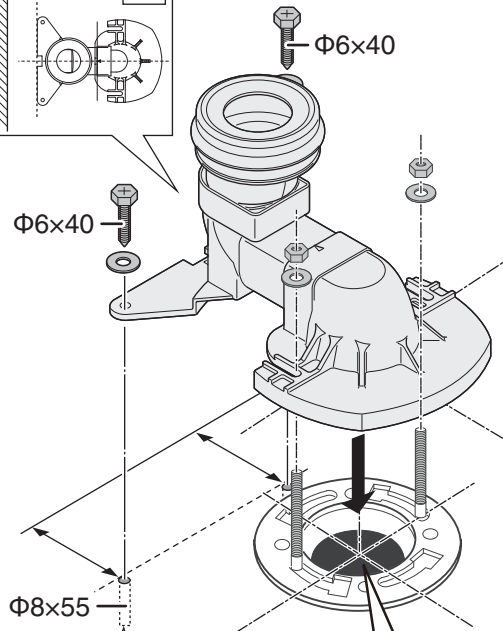
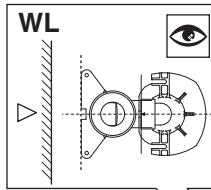
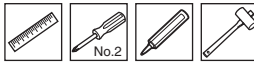
- ▲ **For a wall supply**
Tilt the joint outlet of the water supply hose at a 90° angle to the floor.
- **For a floor supply**
Tilt the joint outlet of the water supply hose at a 60° angle to the wall.



1



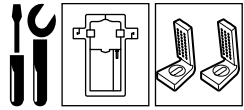
2



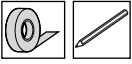
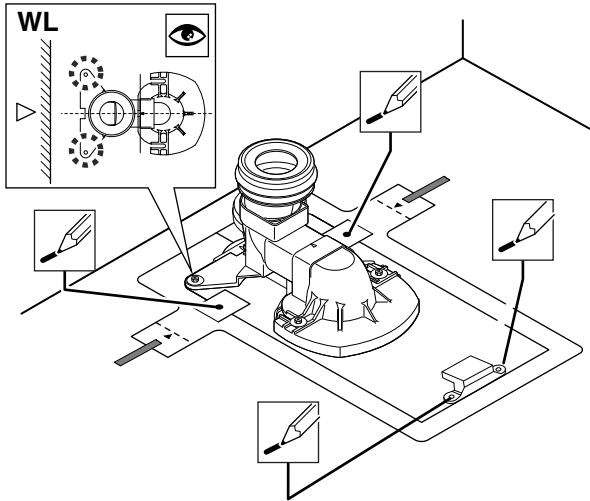
C-2 INSTALLING THE DRAIN SOCKET

- 1 Attach the gasket to the drain socket.
- 2 Place the drain socket over the closet flange and T-bolts while aligning the center of the closet flange with the center of the drain socket. Tighten closet nuts to secure the drain socket against the closet flange and floor. Install the two mounting screws into the rear mounting holes and tighten.
*For tile or concrete floors, drill a smaller hole and use an anchor.

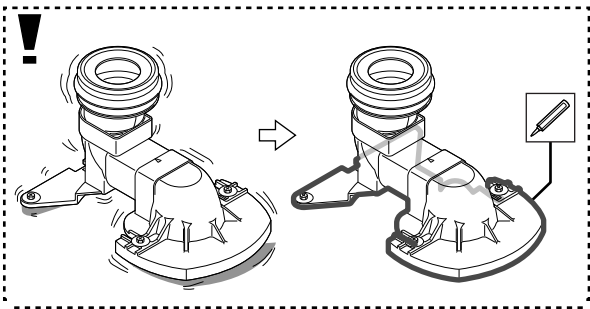
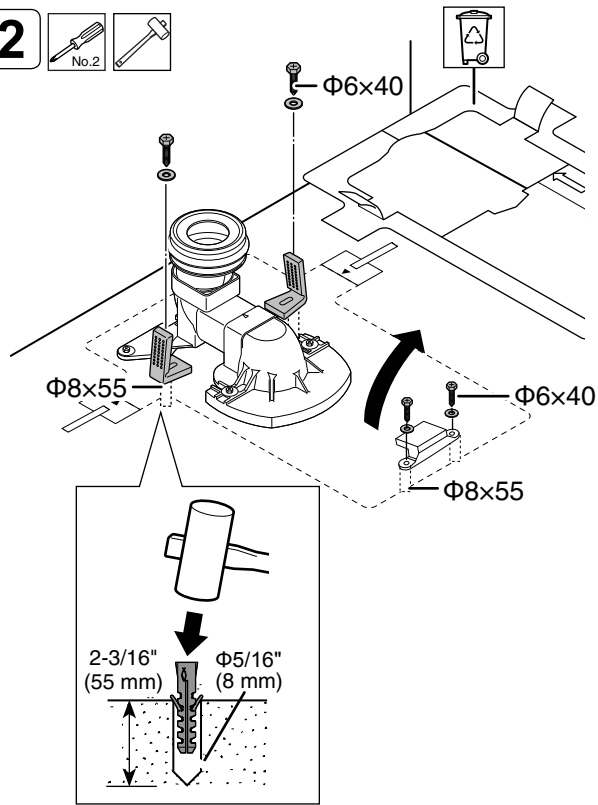
C-3



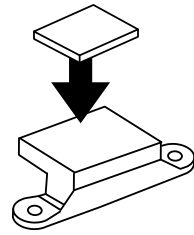
1

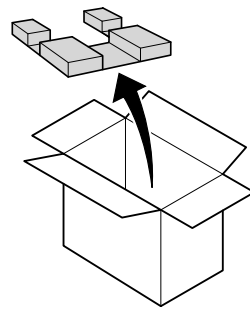
2

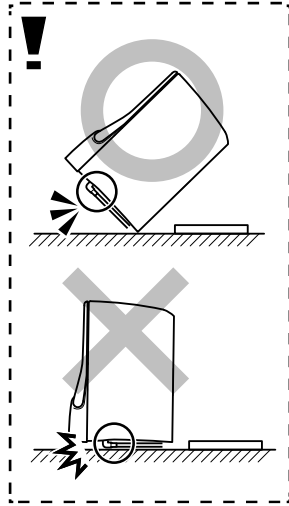
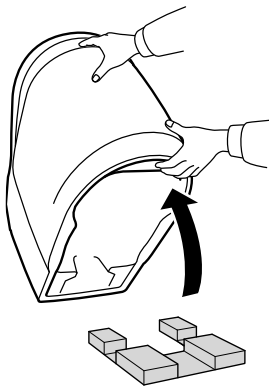
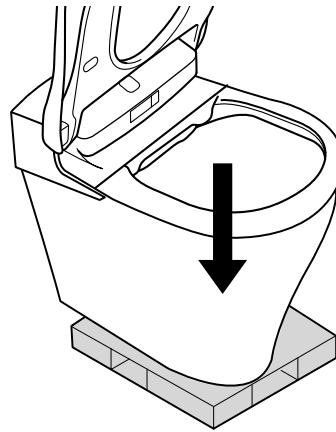



3



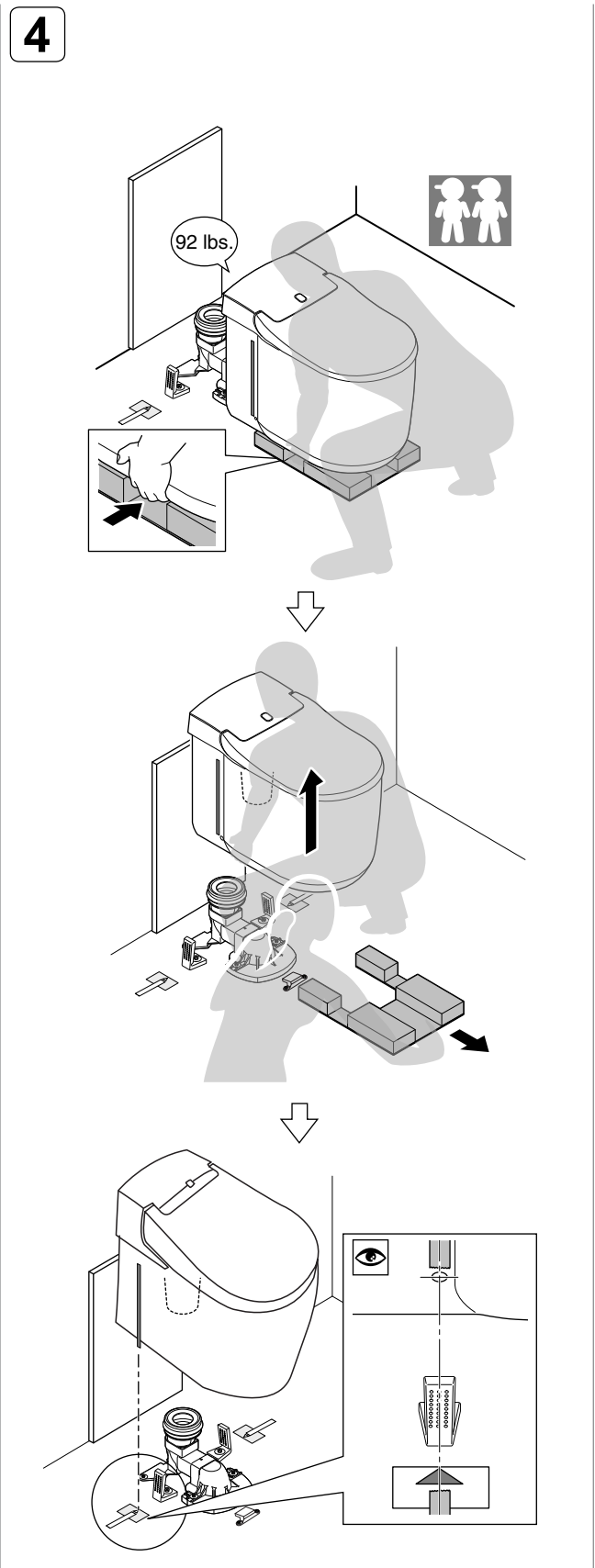
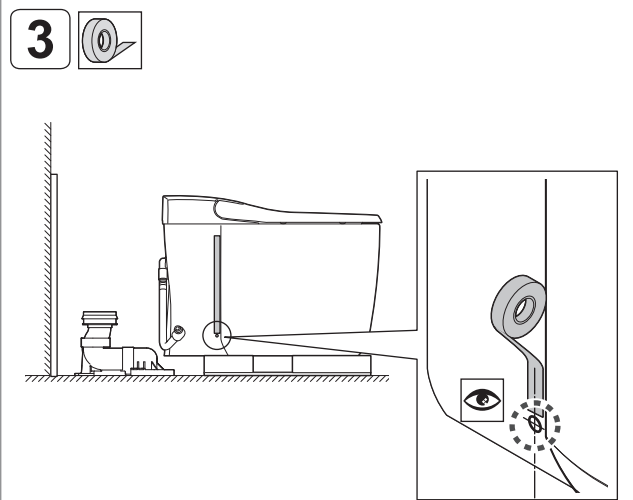
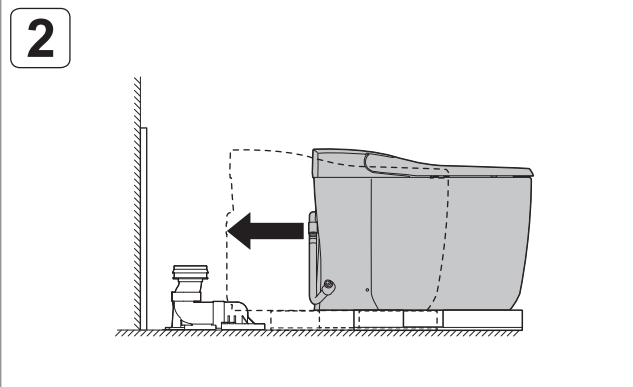
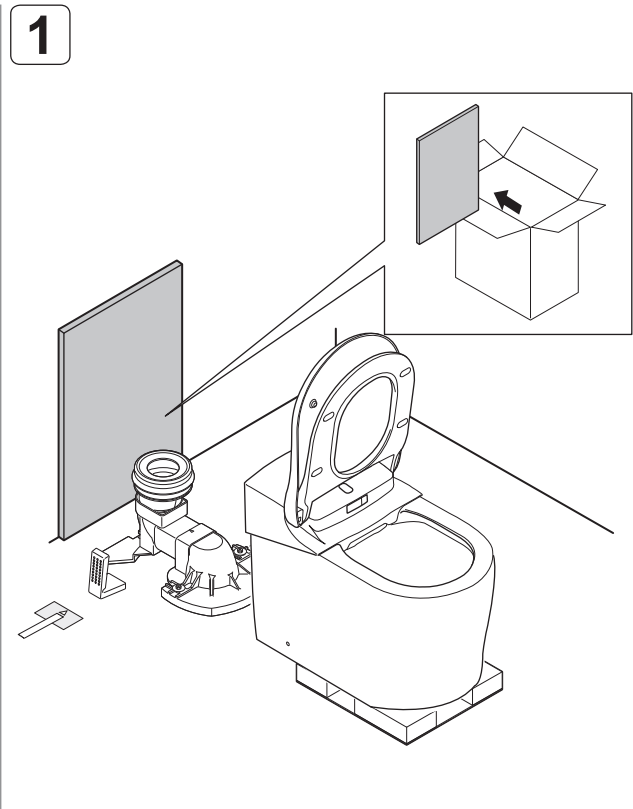
4



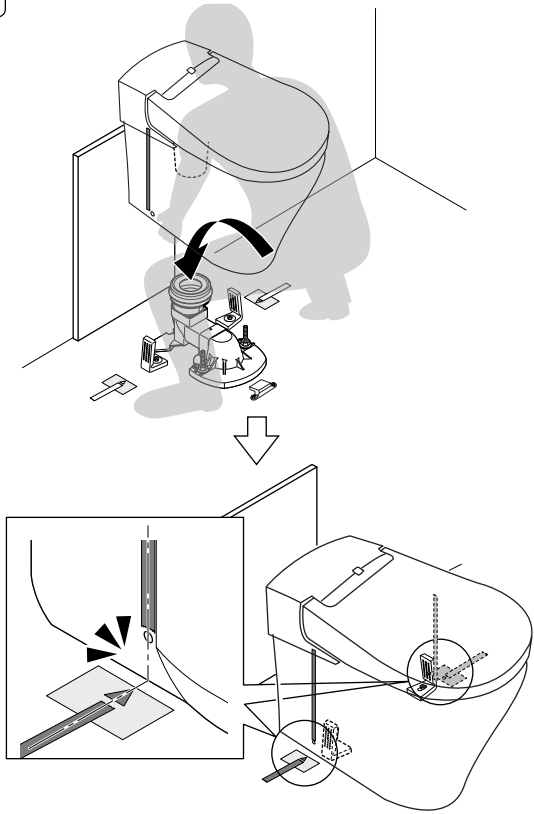
5**6**

C-3 DECIDE THE INSTALLATION POSITION OF SECURING MEMBER

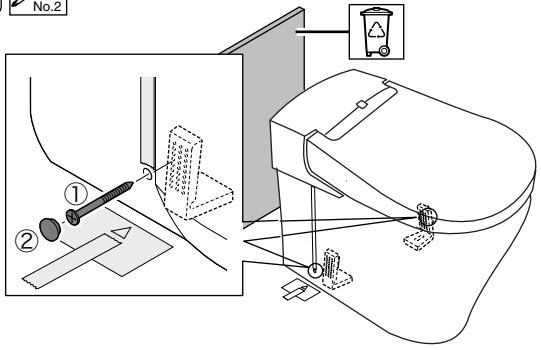
- 1 Place the paper template in line with the base of the water drain socket and secure it with colored tape. Mark screw position of securing member.
- 2 Cut off the paper template along the right and left dotted line and secure the securing member.
*For tile or concrete floors, drill a smaller hole and use an anchor.
Note: If there is a gap, bond the drain socket with caulking.
- 3 Place the mounting adhesive on top of the mounting base with contoured surface facing down.
 - Ensure that the mounting adhesive is placed in the center of the plate.
 - Prevent moisture or impurities from getting on the mounting base.
- 4 Take out the supplied installation support base
- 5 Lift up the front edge of the SpaLet® bowl and insert the installation support base under the ceramic bowl.
Note: Do not put the ceramic bowl all the way down to the floor. Failure to do so may crush the water supply hose.
- 6 Place the ceramic bowl onto the installation support base.



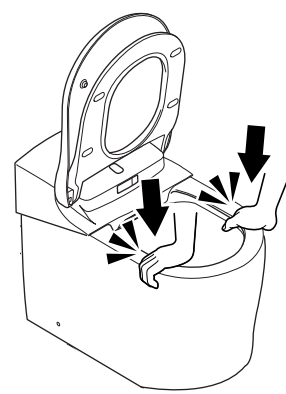
5



6



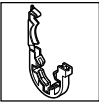
7



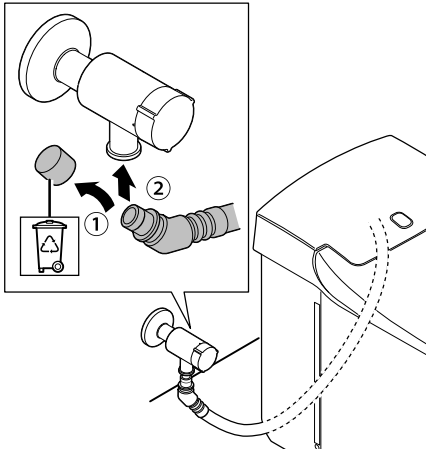
C-4 INSTALLING THE SpaLet® BOWL

- 1 Set wall protection cover against the wall.
- 2 Move the SpaLet bowl with installation support base to just before the drain socket.
- 3 Attach colored tape vertically from the screw hole on the lower side of the SpaLet bowl.
- 4 Insert your hand in the space of the installation support base and lift up the SpaLet bowl. Adjust the tape position on ceramic bowl to the ▲ mark position on the floor. Set the drain socket on the drain outlet
- 5 Lower the SpaLet bowl. Make sure that the position of the ▲ mark on the template paper on the floor coincides with the position of the tape on the ceramic bowl.
- 6 Insert the screw into the SpaLet bowl side, secure the securing member and SpaLet bowl, and then attach the screw cap. Remove the wall protection cover.
- 7 Push the front edge of the ceramic bowl downward.

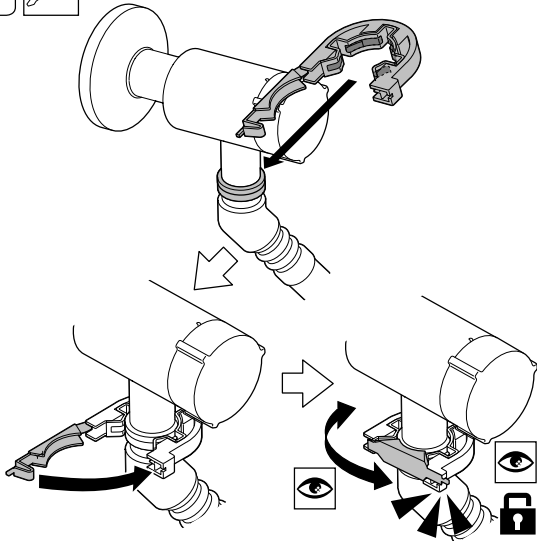
C-5



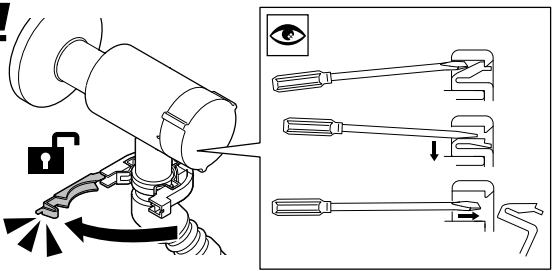
1



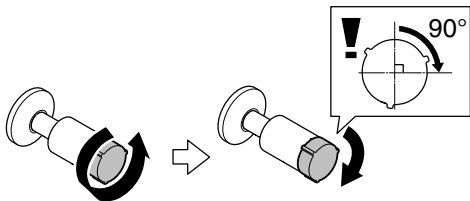
2



!



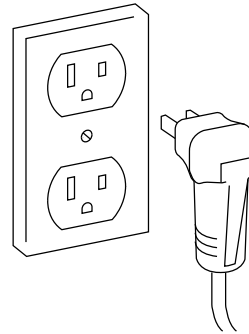
3



C-6



1



C-5 CONNECTING THE WATER SUPPLY HOSE

- 1 Remove the protective cap and insert the water supply hose into water shutoff valve.
- 2 Fasten with the clip. Rotate the clip and check if the water supply hose is properly secured with the clip.

Note:

- Secure the clip by folding it.
- If the clip is not secured properly, remove and secure again. Insert the tool to open the clip and unlock it.

- 3 Fully open the lever of the water supply hose and rotate it 90° in reverse.

Note: To prevent anchoring, be sure to rotate the lever 90° in reverse.

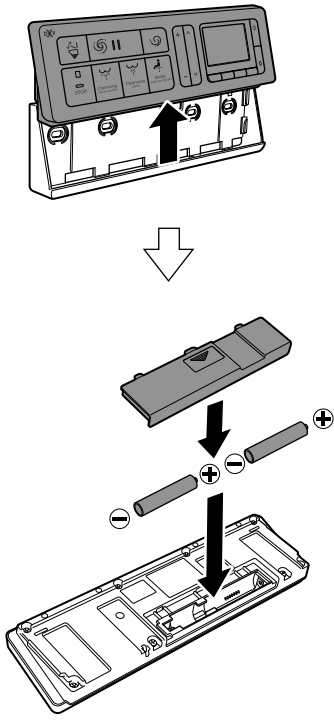
C-6 CONNECTING THE POWER SUPPLY

- 1 Connect the power cord to the AC outlet. Turn on the power at the power breaker.

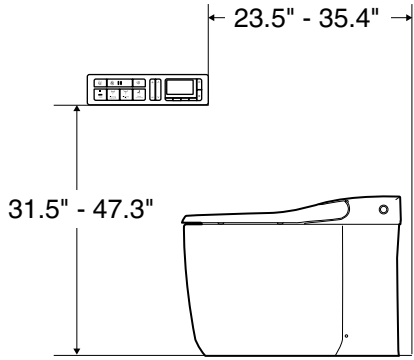
C-7



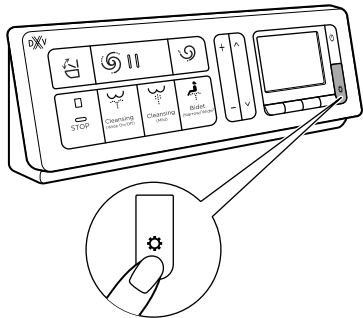
1

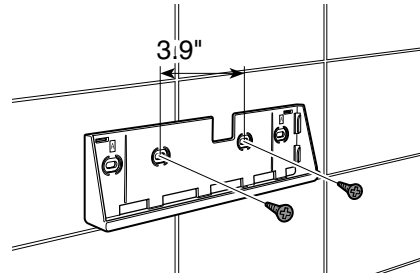
2




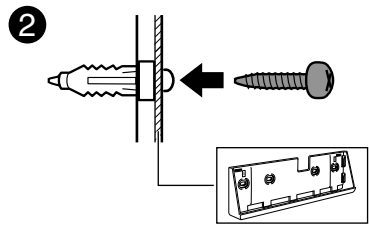
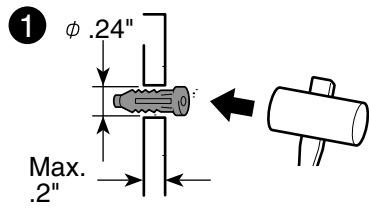
3




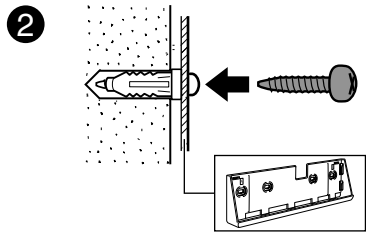
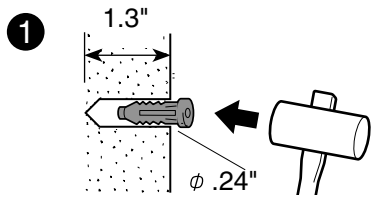
4

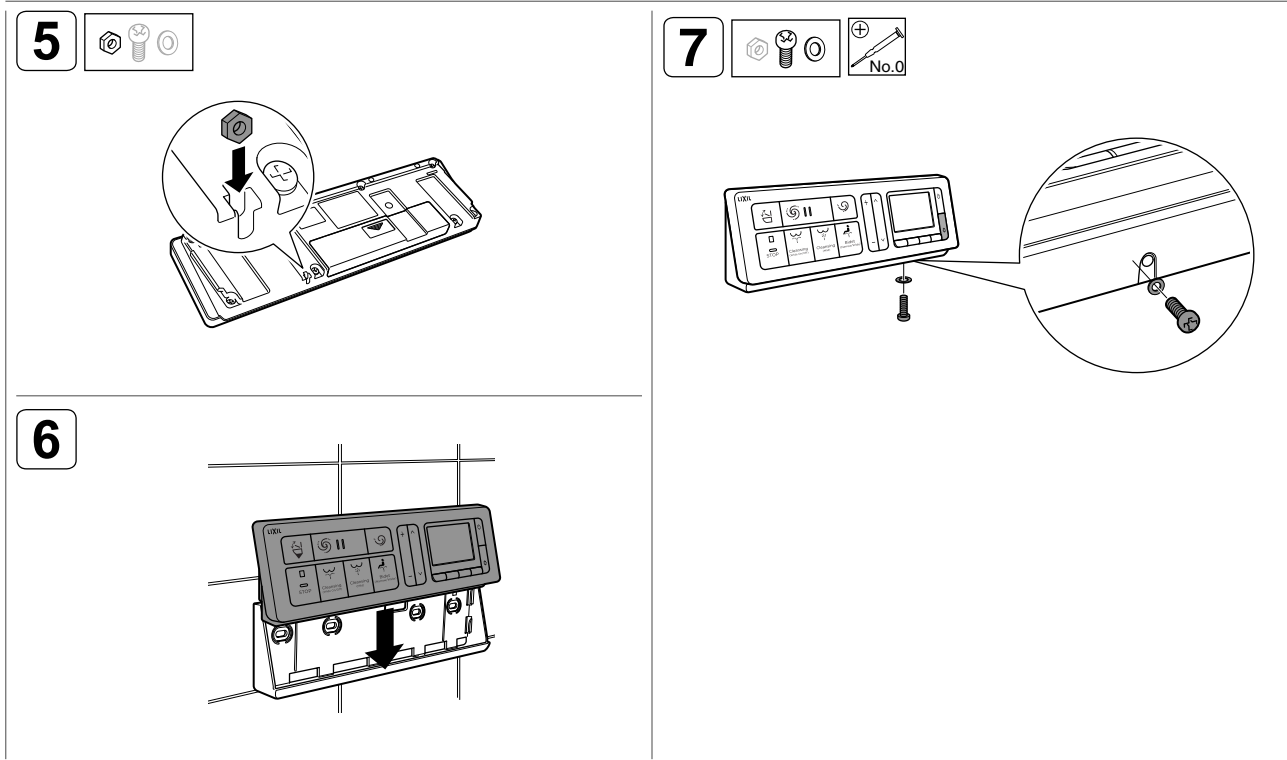



A

B



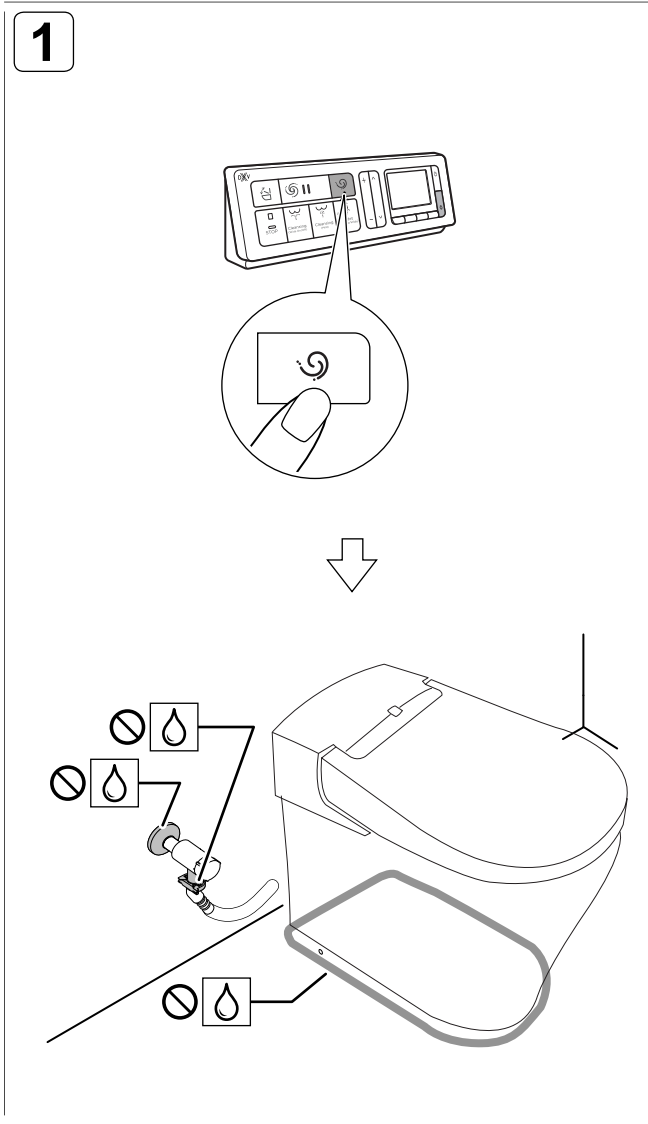
C-7 INSTALLING THE REMOTE CONTROL

- 1 Remove the remote control from the holder and insert the batteries.
Note: Vertical lines may appear on the screen when the batteries are removed. This is not a malfunction. These vertical lines will disappear when batteries are inserted into the remote control.
- 2 Determine the installation position of the remote control.
Note: Leave a space above the remote control's mounting position
- 3 Press the (⚙️) button and register to the SpaLet® unit.
- 4 Mount the remote control holder onto the wall.
 - a For plasterboard or plywood that is thinner than 3/16".
 - b For concrete
- 5 Insert the anti-theft nut into the groove on the remote control.
- 6 Attach the remote control to the holder.
- 7 Secure the remote control to the holder with the anti-theft washer and screw.

D-1

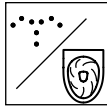


1

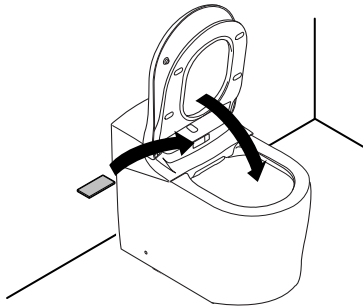


D-1 CHECK FOR WATER LEAKAGE

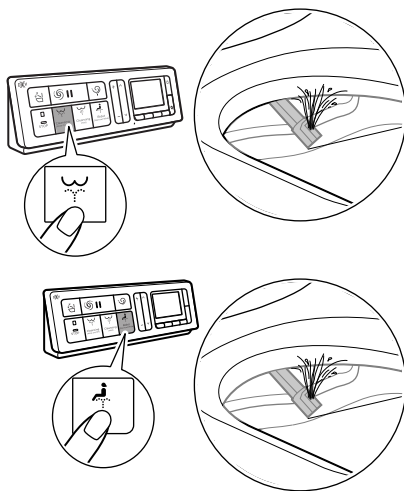
- 1 Press the (☹) button and check for water leakage.



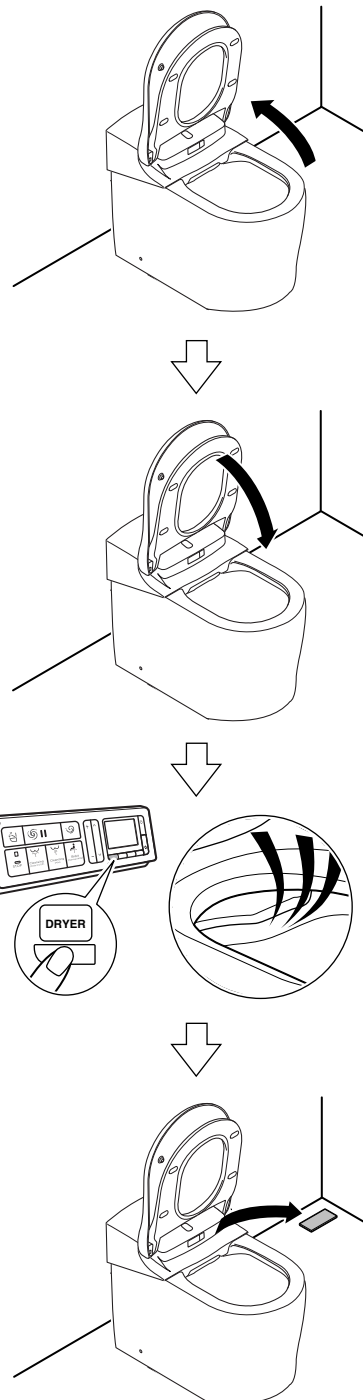
1



2



3



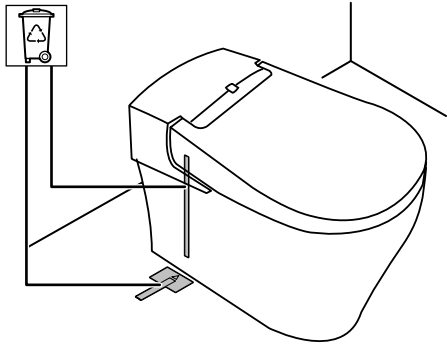
D-2 TEST OPERATION

- 1 Cover the seat sensor with a piece of paper or rag and lower the seat.
- 2 Confirm that water sprays for posterior and feminine washing.
- 3 Lift the seat and confirm that warm air blows.

D-3



1



D-3 CLEANING UP

1

Remove the tape on the SpaLet® bowl side and on the floor, and the paper template.

LIMITED WARRANTY

This SpaLet comes with a three year warranty on all parts of the SpaLet. If inspection of this DXV plumbing product, inclusive of the chinaware and all mechanical parts, confirms that it is defective in materials or workmanship, DXV will repair or, at its option, exchange the product for the same or a similar model.

This limited warranty applies only to the original non-commercial purchaser and installation of the products. In the event of a limited warranty claim, proof of purchase will be required—save sales receipts.

For this warranty to become effective, the warranty registration process must be completed via the internet or telephone per the warranty registration instructions.

This limited warranty does not apply to commercial installations. The warranty for commercial installations is two years on the SpaLet.

This warranty does not apply to local building code compliance. Since local building codes vary considerably, the purchaser of the product should check with a local building or plumbing contractor to ensure local code compliance before installation.

This warranty will be void if the product has been moved from its initial place of installation; if it has been subjected to faulty maintenance, abuse, misuse, accident or other damage; if it was not installed in accordance with DXV's instructions; or if it has been modified in a manner inconsistent with the product as shipped by DXV. The warranty will be void if the product has failed as a result of worn-out of consumable parts such as packing, fuses, batteries.

WARNING: This warranty DOES NOT COVER any damages caused by the use of harsh cleaners. These products can seriously corrode the product components. This damage can cause leakage and property damage. DXV will not be responsible or liable for any damage caused by the use of in-tank cleaners.

DXV's option to repair or exchange the product under this warranty does not cover any labor or other costs of removal or installation including any costs of any surrounding material such as tile or marble. DXV is not responsible for any other incidental or consequential damages attributed to a product defect. (Some states or provinces do not allow the exclusion or limitation of implied warranties, so this exclusion may not apply to you.)

This warranty gives you specific rights. You may have other statutory rights that may vary from state to state or province to province, in which case this warranty does not affect such statutory rights.

How to register the warranty:

PLEASE COMPLETE DXV WARRANTY REGISTRATION AND SAVE THIS WARRANTY INFORMATION.

IMPORTANT: Registration of the SpaLet must be completed for this warranty to become effective.
Your registration will make it easier to service your product.

INSTRUCTIONS: Register your SpaLet at www.DXV.com. Please save your point of purchase (sale receipt).

IF YOU HAVE ANY QUESTIONS, OR PARTS ARE DAMAGE OR MISSING, DO NOT CONTACT, OR RETURN, THIS PRODUCT TO THE STORE. CONTACT CUSTOMER SERVICE AT DXVCustomerCare@DXV.com OR TOLL FREE AT OUR GLOBAL HEADQUARTERS.

CUSTOMER SPARE COMPONENTS PAGE CAN BE FOUND AT www.DXV.com.

DXV
One Centennial Avenue
Piscataway, New Jersey 08855
Attention: Director of Customer Care

For residents of the United States, warranty information may also be obtained by calling the following toll free number: (800) 227-2734
www.DXV.com



How to register the warranty:

PLEASE COMPLETE DXV WARRANTY REGISTRATION AND SAVE THIS WARRANTY INFORMATION.

IMPORTANT: Registration of the SpaLet must be completed for this warranty to become effective.
Your registration will make it easier to service your product.

INSTRUCTIONS: Register your SpaLet at www.DXV.com. Please save your point of purchase (sale receipt).

IF YOU HAVE ANY QUESTIONS, OR PARTS ARE DAMAGE OR MISSING, DO NOT CONTACT, OR RETURN, THIS PRODUCT TO THE STORE. CONTACT CUSTOMER SERVICE AT DXVCustomerCare@DXV.com OR TOLL FREE AT OUR GLOBAL HEADQUARTERS.

CUSTOMER SPARE COMPONENTS PAGE CAN BE FOUND AT www.DXV.com.

DXV
One Centennial Avenue
Piscataway, New Jersey 08855
Attention: Director of Customer Care

For residents of the United States, warranty information may also be obtained by calling the following toll free number: (800) 227-2734
www.DXV.com

