

INSTALLATION INSTRUCTIONS



Rapid SL 44" In-Wall Carrier Model D29050044.000

Thank you for selecting DXV. To ensure this product is installed properly, please read these instructions carefully before you begin. (Certain installations may require professional help.) Also be sure your installation conforms to local codes.

▲ CAUTION: PRODUCT IS FRAGILE. TO AVOID BREAKAGE AND POSSIBLE INJURY HANDLE WITH CARE!
NOTE: Pictures may not exactly define contour of china and components.

ALL INSTALLATION PROCEDURES MUST COMPLY IN STRICT ACCORDANCE WITH APPLICABLE LOCAL PLUMBING AND BUILDING CODES.

CONCEALED TANK AND CARRIER

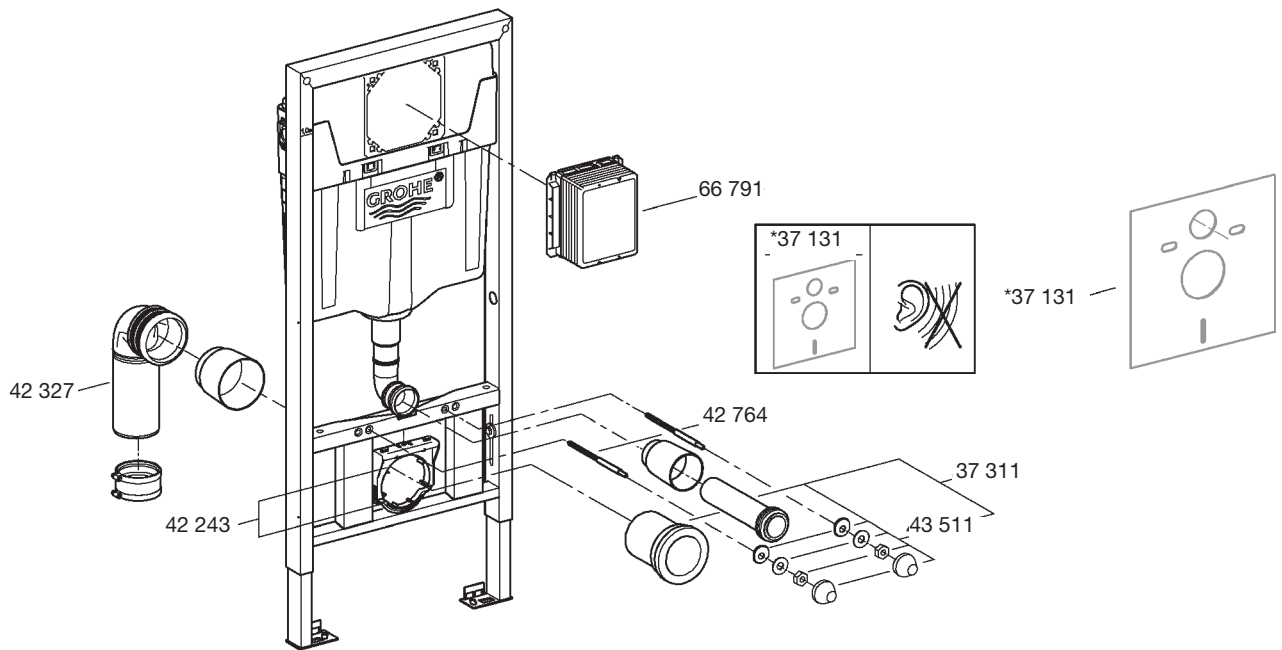
The concealed water closet tank and carrier are adjustable for bowl rim height 15-3/4" to 19-11/16" to be used with an IAPMO listed 1.6 GPF wall hung bowl. Requires 1/2" water supply and 3" nominal outlet.

In compliance with: A 112.6.2

Note that some wall hung toilets are delivered with their own mounting set which should be used if possible.

ROUGHING-IN DIMENSIONS:

SAVE FOR FUTURE USE



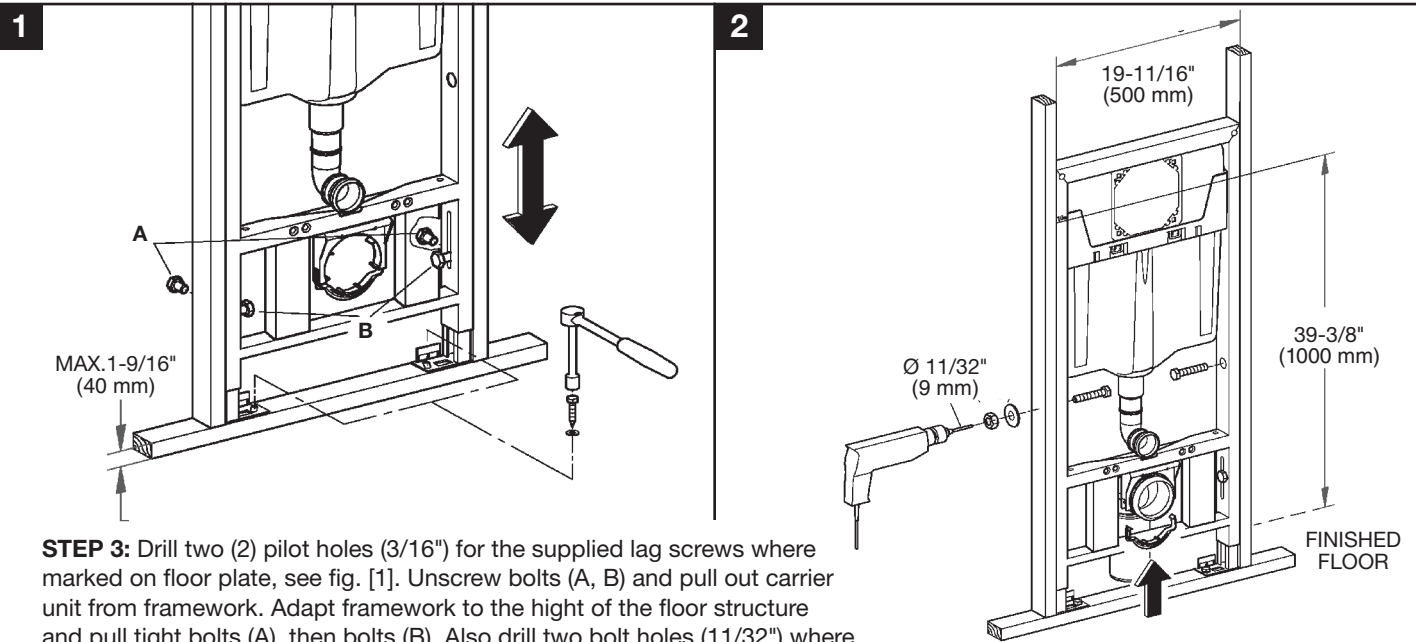
The tank and carrier are designed to fit within a 2" x 6" wood frame (or equal) construction. The studs must be placed 19-11/16" apart at the location where the unit will be positioned prior to installation into the wall. The carrier legs must be adjusted for the finished rim height of the water closet bowl. The dimensions may be taken from the bowl or from the specification sheet. Be sure to allow for finished floor covering.

Finished rim height must be determined prior to installation.

NOTE: The 2" x 6" frame work must be affixed firmly to the floor and ceiling for a safe installation. An opening of 5-1/2" x 7-1/2" must be provided on finished wall for access into the tank and placement of actuator panel and panel frame.

STEP 1: Locate studs as specified, and secure with additional nails. Insure rough openings are proper, plumb, and square. **Reference Rough-in page 1.**

STEP 2: Position the carrier unit in the prepared opening. The metal frame must be flush with the face of the surrounding studs so that maximum support for the later applied drywall is accomplished. With the unit still in place, mark all anchor hole locations on hole plate and studs. Also mark the location for the 3" DWV discharge pipe. At the same time indicate the position for the water supply, either from the top or rear into the tank. **Reference Illustration 1.**



STEP 3: Drill two (2) pilot holes (3/16") for the supplied lag screws where marked on floor plate, see fig. [1]. Unscrew bolts (A, B) and pull out carrier unit from framework. Adapt framework to the height of the floor structure and pull tight bolts (A), then bolts (B). Also drill two bolt holes (11/32") where marked on framework. **Reference Illustration 1 & 2.**

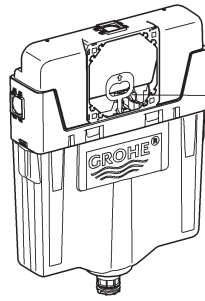
For the fixture discharge pipe bore a 4" hole 3-3/8" from front edge of plate to center through plate and floor. **Reference roughing-in above.**

STEP 4: Install 3" DWV waste pipe through floor and connect to waste line (i.e. PVC, copper, cast iron).

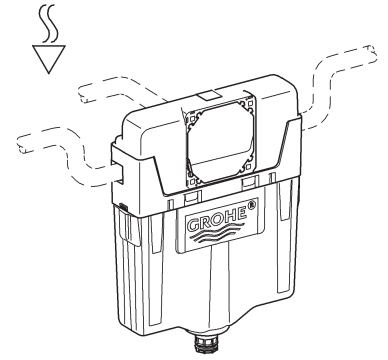
STEP 5: Set carrier unit back in place into the wall frame and bolt in place with hardware provided.
Reference Illustration 1 & 2.

STEP 6: Complete waste elbow connection with 3" DWV flex coupling to waste line.
Reference exploded part/part number illustration, page 2.

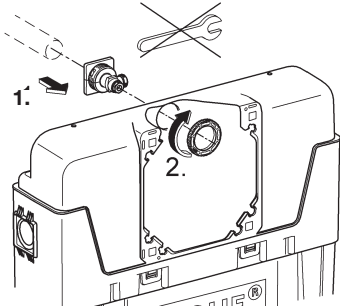
3



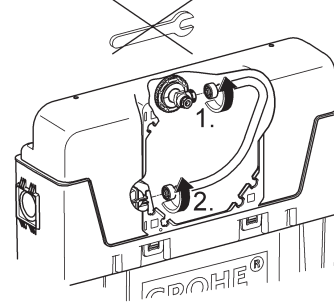
4



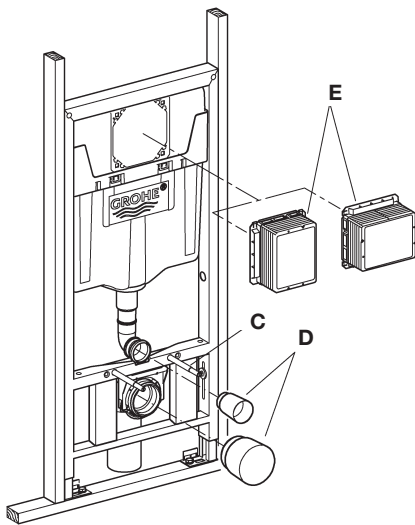
5



6

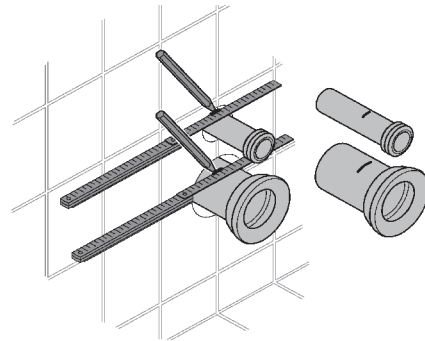


7



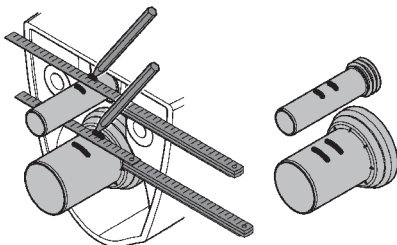
STEP 7: Remove the middle part of the cross bar. Install shutoff valve and mud guard in the tank opening.

8



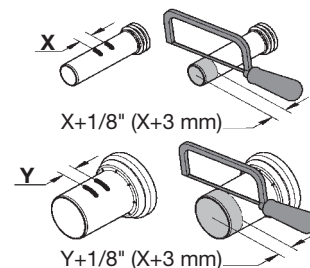
STEP 8: Install two 1/2" x 6" fixture support rods with plastic sleeves (C), the pipe caps (D) and mud guard (E) are mounted for protection during wall surface construction, see fig. [7].

9

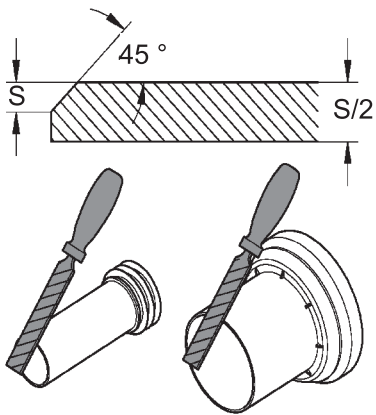


STEP 9: FiberBond wallboard, 1/2" tile backer board or plywood with a ceramic tile surface would be most suitable materials recommended for wall finish in order to support the wall hung toilet bowl. Holes in wallboard for ceramic bolts must be 1" (25).

10

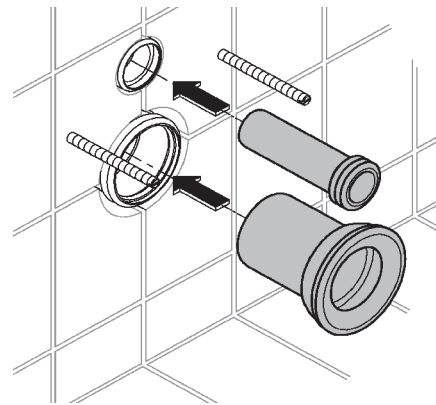


11

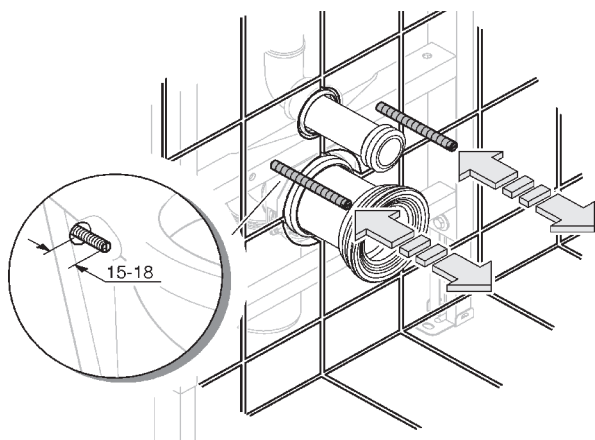


12

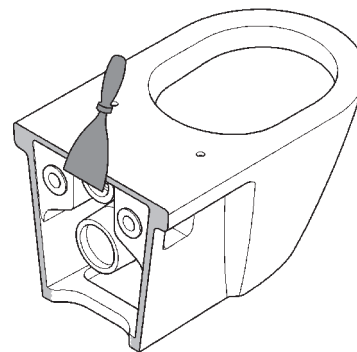
Install mounting rods.
Determine finished length.



13

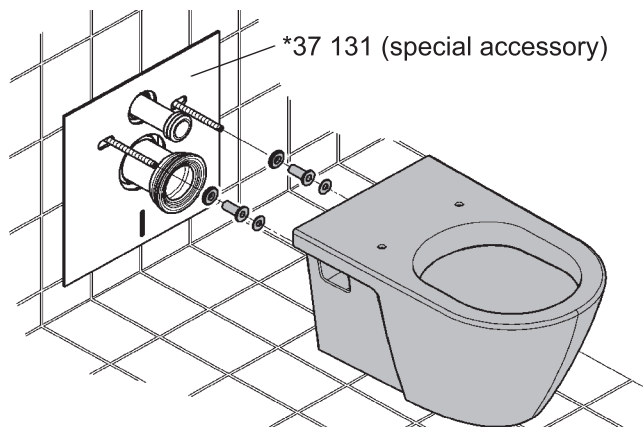


14



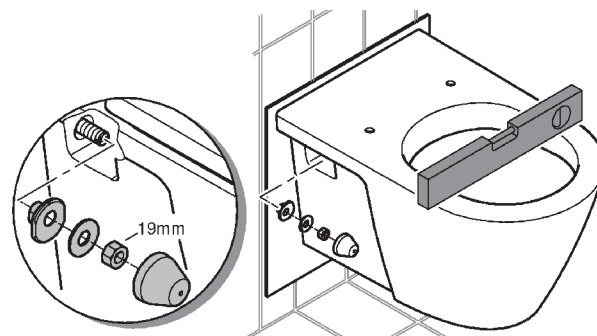
Apply mastic or sealant to backside of bowl.

15



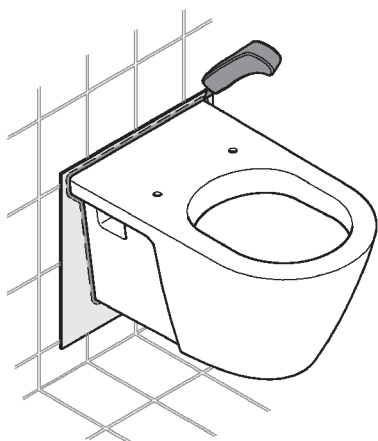
NOTE: Sound barrier pad optional separate order requested.

16

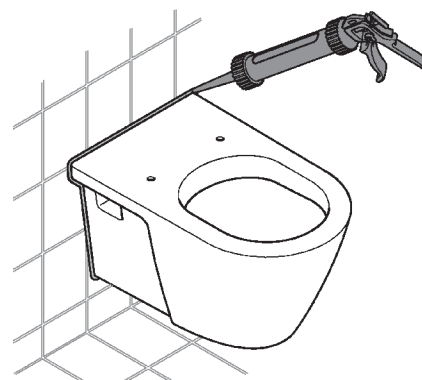


Place bowl onto rods. Attach cap retainers, washers and nuts on bothsides loosely. Level side to side. Tighten nuts. **DO NOT OVER TIGHTEN.** Snap caps over retainers.

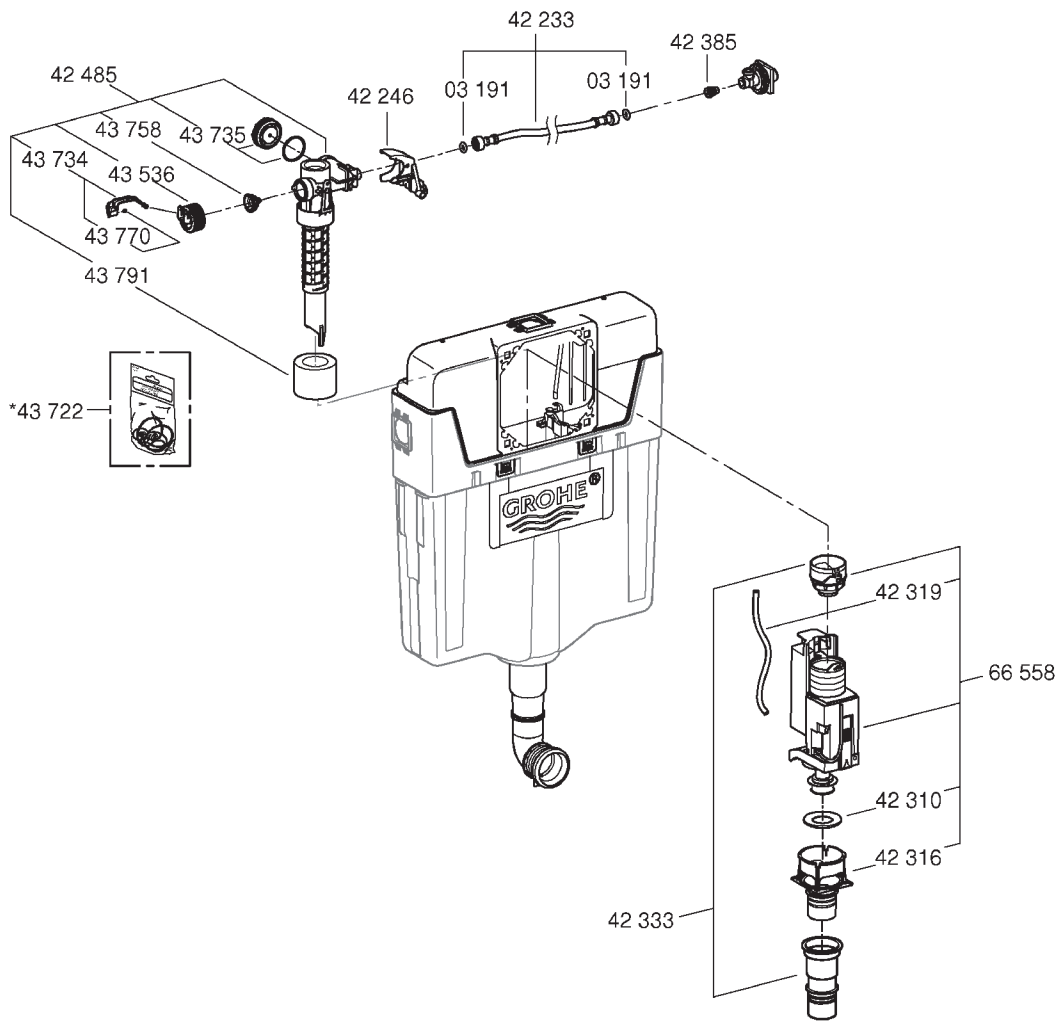
17



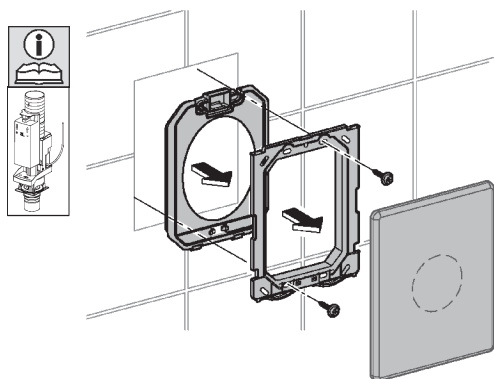
18



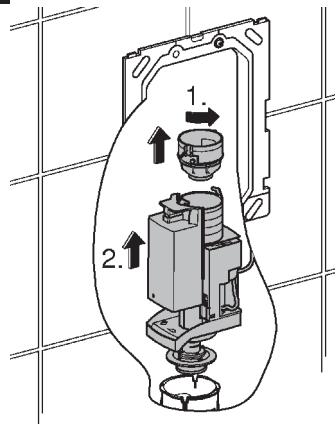
Seal around bowl with waterproof flexible sealant.



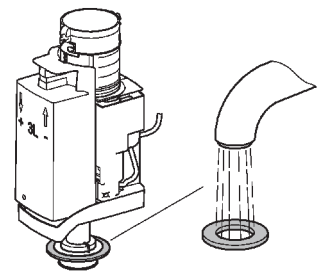
19



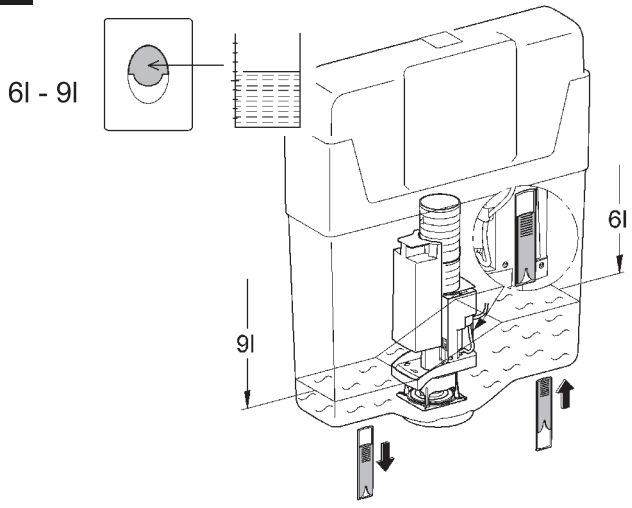
20



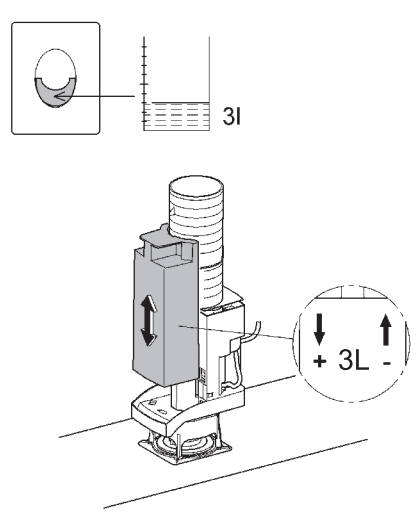
21



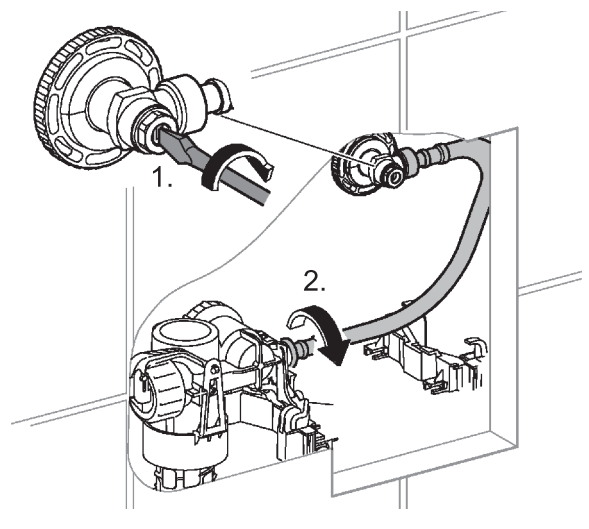
22



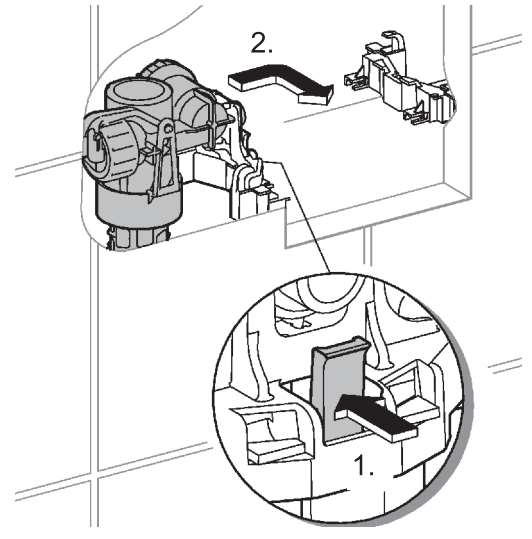
23



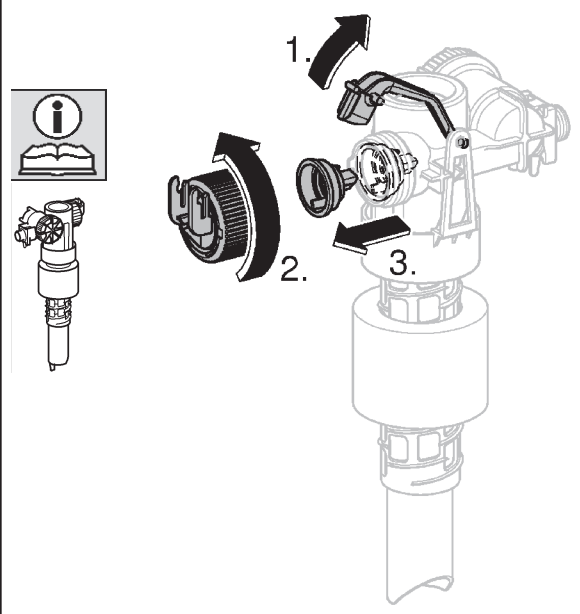
24



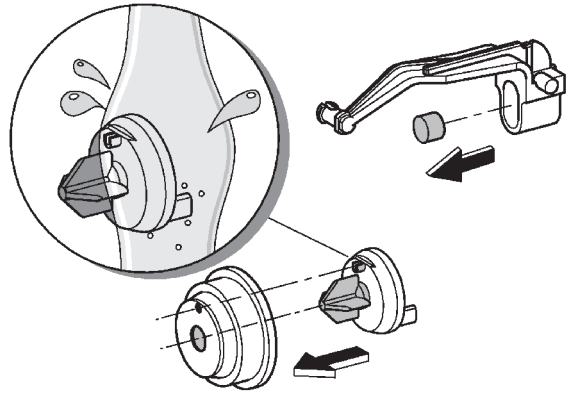
25



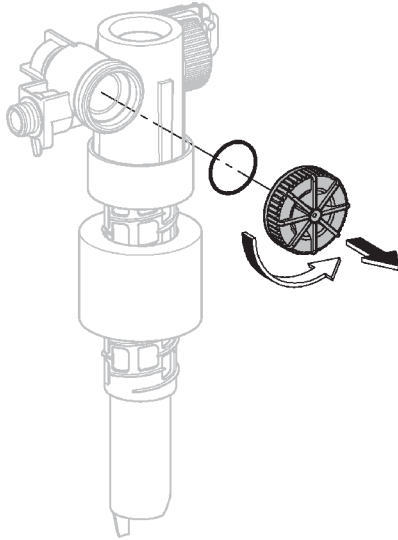
26



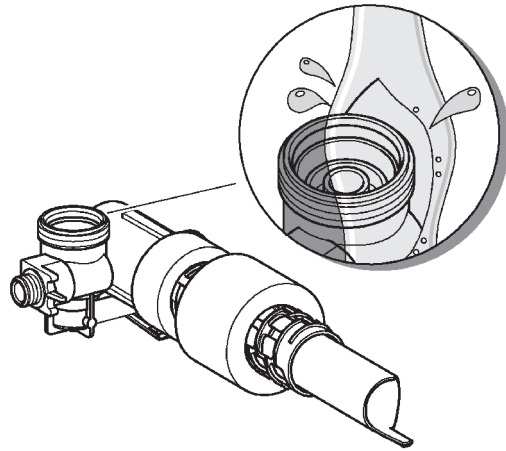
27



28



29



LIMITED WARRANTY

This toilet comes with a limited warranty on chinaware, a limited five-year warranty on all mechanical parts of the toilet, and a limited one-year warranty on the toilet seat. If inspection of this DXV plumbing product, inclusive of the chinaware and all mechanical parts, confirms that it is defective in materials or workmanship, DXV will repair or, at its option, exchange the product for the same or a similar model.

This limited warranty applies only to the original non-commercial purchaser and installation of the products. In the event of a limited warranty claim, proof of purchase will be required—save sales receipts.

For this warranty to become effective, the warranty registration process must be completed via the internet or telephone per the warranty registration instructions.

This limited warranty does not apply to commercial installations. The warranty for commercial installations is one year on chinaware and mechanical parts, and one year on the toilet seat.

This warranty does not apply to local building code compliance. Since local building codes vary considerably, the purchaser of the product should check with a local building or plumbing contractor to ensure local code compliance before installation.

This warranty will be void if the product has been moved from its initial place of installation; if it has been subjected to faulty maintenance, abuse, misuse, accident or other damage; if it was not installed in accordance with DXV's instructions; or if it has been modified in a manner inconsistent with the product as shipped by DXV.

WARNING: This warranty DOES NOT COVER any damages caused by the use of in-tank cleaners. These products can seriously corrode the fittings in the tank. This damage can cause leakage and property damage. DXV will not be responsible or liable for any damage caused by the use of in-tank cleaners.

DXV's option to repair or exchange the product under this warranty does not cover any labor or other costs of removal or installation including any costs of any surrounding material such as tile or marble. DXV is not responsible for any other incidental or consequential damages attributed to a product defect. (Some states or provinces do not allow the exclusion or limitation of implied warranties, so this exclusion may not apply to you.)

This warranty gives you specific rights. You may have other statutory rights that may vary from state to state or province to province, in which case this warranty does not affect such statutory rights.

In the United States:

DXV
One Centennial Avenue
Piscataway, New Jersey 08855
Attention: Director of Customer Care

For residents of the United States, warranty information may also be obtained by calling the following toll free number: (800) 227-2734
www.DXV.com

In Canada:

DXV
5900 Avebury Road
Mississauga, Ontario
L5R 3M3
Canada

Toll Free: 1-800-387-0369
Local: 905-306-1093
Fax: 1-800-395-1498
www.DXV.ca

In Mexico:

DXV
Via Morelos 330
Col. Santa Clara Coatitla
Ecatepec, Estado de México 55540

Toll Free: 01-800-8391200
www.DXV.mx