



# DXV BELSHIRE™

## ONE-PIECE ELONGATED TOILET



ROUGH IN DIAGRAM SHOWN  
ON NEXT PAGE

**D22025A101.415**

### FEATURES

- Faceted elongated bowl design
- Concealed trapway
- Right Height® rim at 16-1/2" (419 mm) for accessible application
- High efficiency, low consumption 1.28 gpf / 4.8 Lpf
- 12" (305 mm) rough-in
- Made of vitreous china
- Slow-close seat with quick release feature included
- Fully-glazed 2" (51 mm) trapway
- 3" (76 mm) Flush Valve
- Everclean surface inhibits the growth of stain and odor-causing bacteria, mold and mildew on the surface
- Powerwash rim scrubs bowl with each flush
- Two color matched bolt hole covers
- Polished Nickel trip lever supplied
- Rated best Maximum Performance (MaP) flush score of 1000 grams\*

### DIMENSIONS

#### NOMINAL DIMENSIONS

29-13/16" x 16-3/8" x 30-3/4" (758 x 415 x 783 mm)

#### WATER SPOT

8-1/4" (210 mm) wide  
9-1/4" (235 mm) length  
5-1/2" (140 mm) distance to rim

### COLORS/FINISHES

Canvas White (415)

### COMPONENTS

- 5020A15G.415** Traditional Elongated Toilet Seat  
**735225-400.415** Tank cover  
**7381914-200.XXX0A** Left Hand Trip Lever  
 Polished Chrome (0020A)  
 Polished Nickel (0080A)  
 Brushed Nickel (2950A)  
 Satin Brass (4270A)

### COMPLIANCE CERTIFICATIONS

Meets or Exceeds ASME A112.19.2/CSA B45.1

EPA WaterSense® Certified

CEC and CALGreen® Compliant

CALGreen® is a registered trademark of California Building Standards Commission.

\* Maximum Performance (MaP) testing performed by IAPMO R&T Lab. MaP Report conducted by GauleyAssociates Ltd. and Koeller and Company.

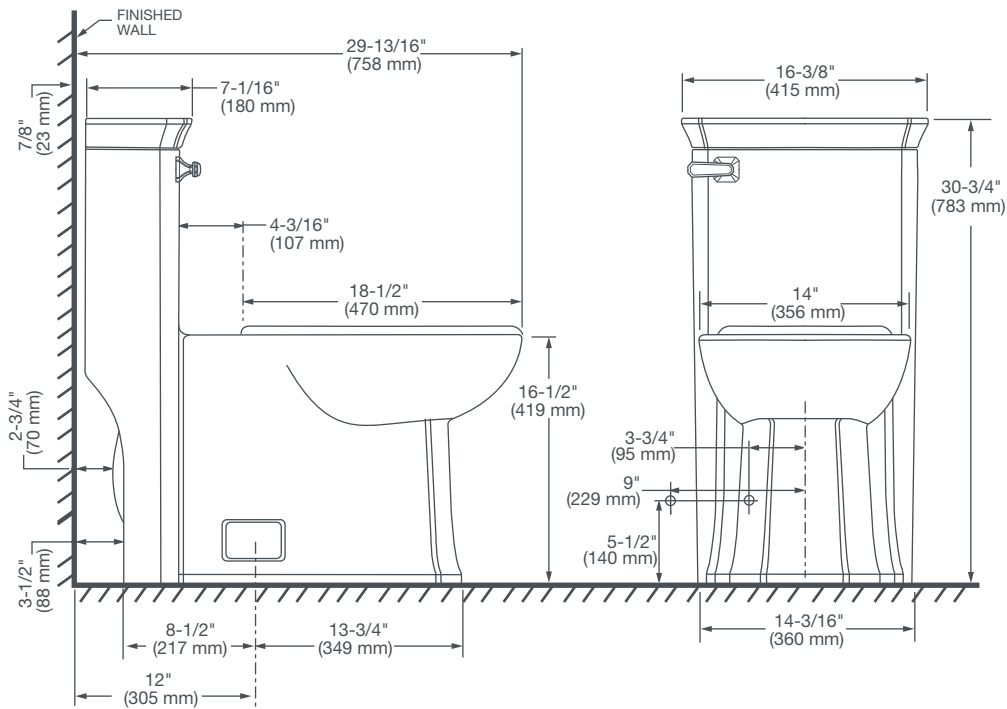


Meets the Americans with Disabilities Act Guidelines and ANSI A117.1 Requirements for Accessible and Usable Building Facilities-Check Local Codes



# DXV BELSHIRE™

## ONE-PIECE ELONGATED TOILET



### IMPORTANT:

Water supply on the wall is required at 3-3/4" or 9" from centerline of the toilet (see rough-in).

First suggested position is hidden behind the toilet. The geometry of the toilet gives space for this installation.

### NOTES:

This toilet is designed to rough-in at a minimum dimension of 12" (305 mm) from finished wall to C/L of outlet.

Supply not included with fixture and must be ordered separately.

\* Dimensions shown for location of supply is suggested.

Dimensions of fixtures are nominal and may vary within the range of tolerance established by ANSI Standard A112.19.2.

These measurements are subject to change or cancellation. No responsibility is assumed for use of superseded or voided pages.

PART OF LIXIL