



DECORATIVE P-TRAP



- 1-1/4" Diameter slip fit inlet
- Brass construction
- Removable trap eye for easy cleaning

CODES AND STANDARDS

Meets or Exceeds ASME A112.18.2/CSA B125.2

AVAILABLE FINISHES

- Polished Chrome
- Carbon Bronze
- Brushed Nickel
- Platinum Nickel
- Satin Brass*

FINISH CODE

- 100
- 110
- 144
- 150
- 427

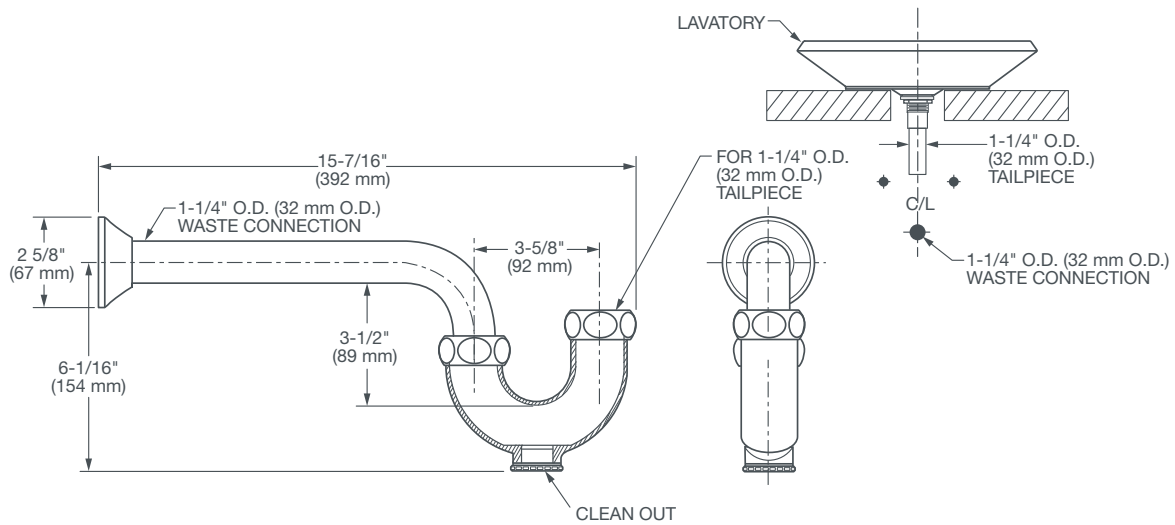
DESCRIPTION

Decorative P-Trap

PRODUCT NUMBER

D35700020.XXX

*Available October 2015



IMPORTANT: These measurements are subject to change or cancellation. No responsibility is assumed for use of superseded or voided pages.

PART OF LIXIL