



TRADITIONAL

10" RAIN SHOWERHEAD



- Tiered, sculpted design
- 1/2" NPT
- Brass construction
- Showerhead can pivot
- Easy clean rubber nozzles
- Maximum showerhead flow rate: 2.5 gpm (9.5 L/min)

CODES AND STANDARDS

Meets or Exceeds ASME A112.18.1/ CSA B125.1

Available Finishes

Polished Chrome
Brushed Nickel
Platinum Nickel

Finish Code

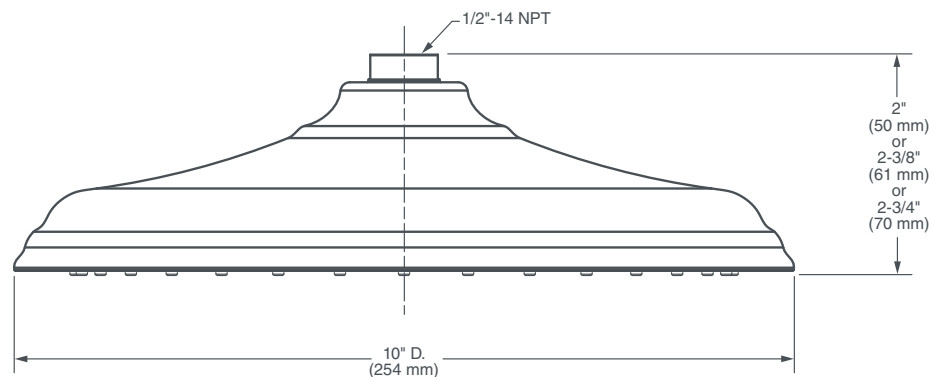
100
144
150

DESCRIPTION

10" Traditional Rain Showerhead

PRODUCT NUMBER

D35700110.XXX



IMPORTANT: These measurements are subject to change or cancellation.
No responsibility is assumed for use of superseded or voided pages.

PART OF **LIXIL**