



# EQUILITY™ (Formerly LYNDON®)

## TWO-PIECE RIGHT HEIGHT® ELONGATED DUAL FLUSH TOILET



### D2210AA200.415

#### FEATURES

- Elongated bowl design
- Vitreous china
- 12" (305 mm) rough-in
- Siphon action jetted bowl with smooth-sided, concealed trapway
- High efficiency, dual flush, low consumption 1.28 gpf/4.8 Lpf conserving flush 1.0 gpf/3.8 Lpf
- EverClean® surface inhibits the growth of stain- and odor-causing bacteria, mold, and mildew on the surface
- PowerWash® rim scrubs bowl with each flush
- 16-1/2" (419 mm) rim height
- Fully-glazed 2-1/8" trapway
- 3" Flush valve
- Includes Duroplast™ slow-close telescoping seat
- Chrome top mounted push button actuator
- Color-matched bolt hole covers

#### DIMENSIONS

##### NOMINAL DIMENSIONS

30-3/16" x 15-1/8" x 31-9/16" (767 x 384 x 802 mm)

##### WATER SPOT

7-7/8" (200 mm) wide

9-1/4" (235 mm) length

5-1/2" (140 mm) distance to rim

#### COLORS/FINISHES

Canvas White (415)

#### COMPONENTS

- |                          |  |
|--------------------------|--|
| <b>5011A20G.415</b>      | Contemporary Toilet Seat<br>Elongated, Slow-Close, Topmount,<br>Easy Lift Off, Telescoping       |
| <b>D24434A200.415</b>    | Tank, 1.0/1.28 gpf Dual Flush 12" rough-in<br>complete with coupling components and<br>tank trim |
| <b>D23226A000.415</b>    | Right Height Elongated Bowl  |
| <b>735179-400.415</b>    | Tank Cover   |
| <b>7381338-200-2950A</b> | Plated Dual Flush Actuator<br>Brushed Nickel (295)<br>(optional component)                       |

#### COMPLIANCE CERTIFICATIONS

Meets or Exceeds ASME A112.19.2-2008/CSA B45.1-08

EPA WaterSense® Certified

CEC and CALGreen® Compliant

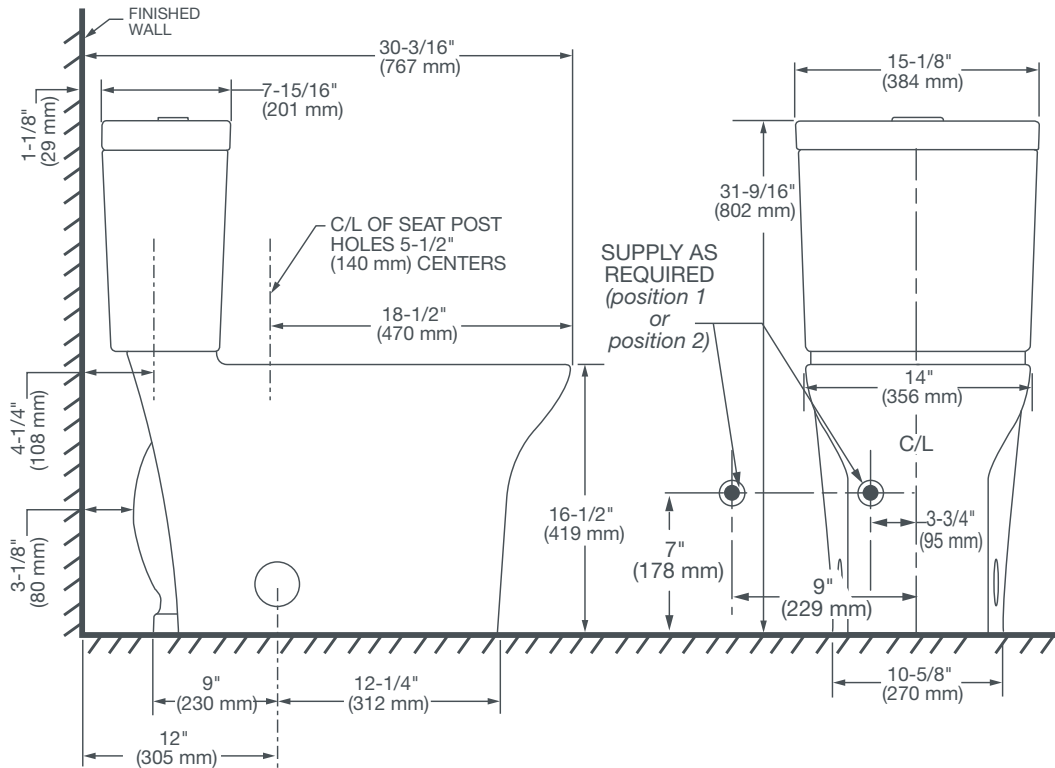
ROUGH-IN DIAGRAM SHOWN  
ON NEXT PAGE

CALGreen® is a registered trademark of  
California Building Standards Commission.



# EQUILITY™ (Formerly LYNDON®)

## TWO-PIECE RIGHT HEIGHT® ELONGATED DUAL FLUSH TOILET



### NOTES:

This toilet is designed to rough-in at a minimum dimension of 12" (305 mm) from finished wall to C/L of outlet.

Supply not included with fixture and must be ordered separately.

Dimensions shown for location of supply is suggested.

### IMPORTANT:

Dimensions of fixtures are nominal and may vary within the range of tolerance established by ANSI Standard A112.19.2.

These measurements are subject to change or cancellation. No responsibility is assumed for use of superseded or voided pages.

PART OF LIXIL