



DXV MODULUS[®]

FREESTANDING SOAKING TUB



D12031000.415

FEATURES

- Acrylic with fiberglass reinforcement
- Modern soaking tub design
- 81 gallon (307 L.) capacity
- Chrome drain kit included

DIMENSIONS

NOMINAL DIMENSIONS

72" x 32" x 24" (1830 x 814 x 610 mm)

COLORS/FINISHES

Canvas White (415)

OPTIONAL COMPONENTS

755491-201.2430A Drain Cap & Plug - Matte Black (243)

755491-201.2950A Drain Cap & Plug - Brushed Nickel (295)

755491-201.0080A Drain Cap & Plug - Polished Nickel (008)

COMPLIANCE CERTIFICATIONS

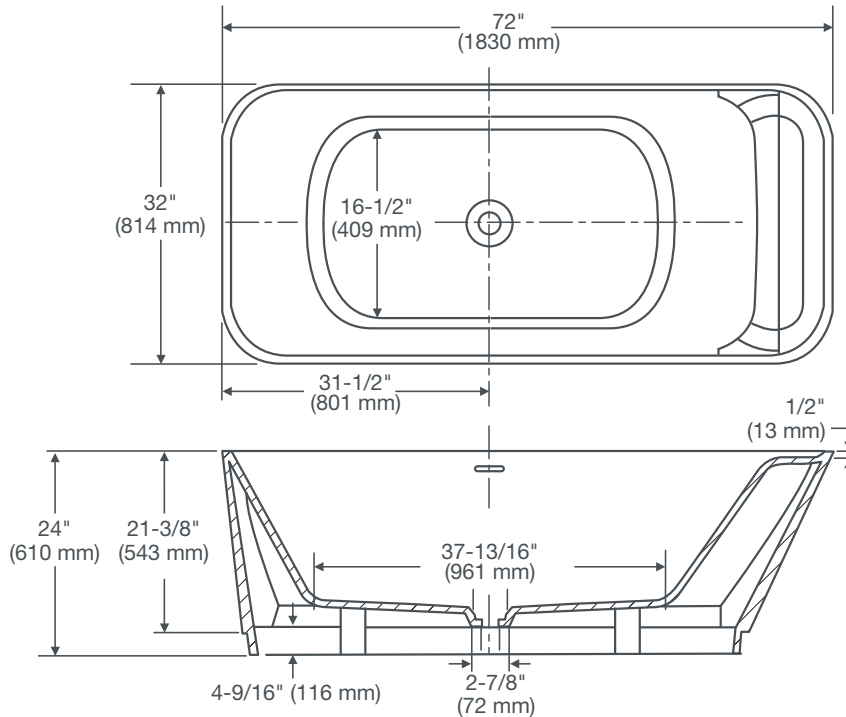
Meets or Exceeds CSA B45.5/IAPMO Z124

ROUGH IN DIAGRAM SHOWN
ON NEXT PAGE



DXV MODULUS[®]

FREESTANDING SOAKING TUB



Freestanding tubs use wall-mounted or freestanding faucets. The waste and overflow assembly is concealed between the walls of the tub, eliminating the need for a decorative exposed drain kit.

	WEIGHT
TUB	121 lbs. (54.9 kg)
WATER	676 lbs. (307 kg)
TUB & WATER	797 lbs. (362 kg)

NOTES:

Refer to installation instructions supplied with bathing pool for additional information. Fittings not included and must be ordered separately. Provide suitable reinforcement for all supports.

Dimensions of fixtures are nominal and may vary within the range of tolerances established by CSA B45.5/IAPMO Z124. These measurements are subject to change or cancellation. No responsibility is assumed for use of superseded or voided leaflet.