

INSTALLATION INSTRUCTIONS



DXV Modulus® Free Standing Tub Model D12031000 SERIES

Thank you for selecting DXV. To ensure this product is installed properly, please read these instructions carefully before you begin. (Certain installations may require professional help.) Also be sure your installation conforms to local codes.

⚠ CAUTION: PRODUCT IS FRAGILE. TO AVOID BREAKAGE AND POSSIBLE INJURY HANDLE WITH CARE!

NOTE: Pictures may not exactly define contour of tub or components.

RECOMMENDED TOOLS AND MATERIALS

Most of the procedures require the use of common tools and materials, which are available from hardware and plumbing supply stores. It is essential that the tools and materials be on hand before work has begun.

Tools

- Level
- Square
- Tape Measure
- Pipe Wrench
- Slip Joint Pliers
- Standard Woodworking Tools
- Personal Safety Equipment
- Caulking Gun
- Suction Cups/Lifting Straps

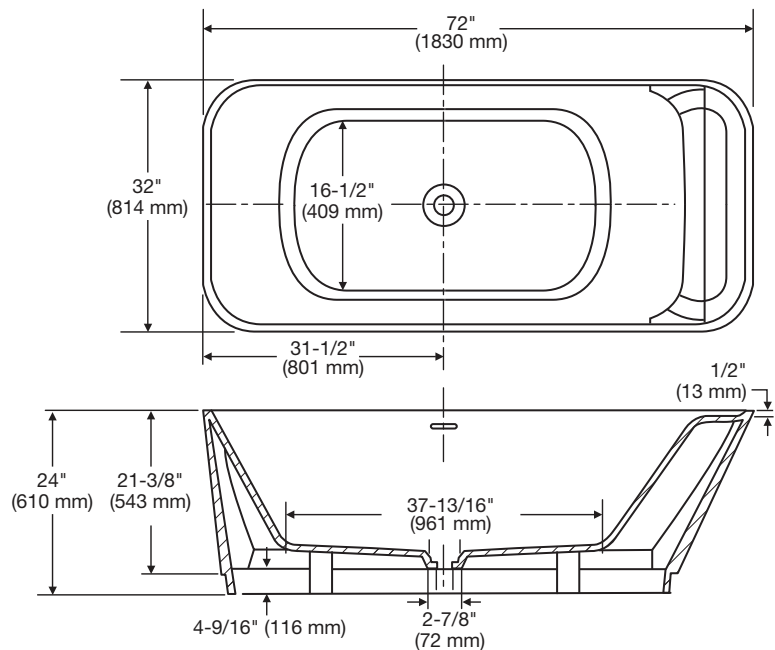
Materials

- Silicone Caulking
- Tub & Tile Caulk

ROUGHING-IN REFERENCES

	WEIGHT
TUB	121 lbs. (54.9 kg)
WATER	676 lbs. (307 kg)
TUB + WATER	797 lbs. (362 kg)

Freestanding tubs use wall-mounted or freestanding faucets. The waste and overflow assembly is concealed between the walls of the tub, eliminating the need for a decorative exposed drain kit.




PART OF LIXIL

S A V E F O R F U T U R E U S E


IMPORTANT SAFETY INSTRUCTIONS


READ AND FOLLOW ALL INSTRUCTIONS!


 **WARNING: Risk of personal injury.** Do not permit children to use this bathtub without adult supervision. Never drop or insert any object into any opening.

 **WARNING: Risk of electric shock.** Do not permit electrical appliances near any bathtub when bathtub contains water.

 **WARNING: Risk of hyperthermia and possible drowning.** People using medications and/or having adverse medical history should consult a physician before using this product.

 **WARNING: Risk of personal injury.** Do not overfill bathtub before entering. Entering tub when filled more than 2/3 can cause overflow and slippery conditions. Exercise caution when entering and exiting.

 **WARNING: No Food or Alcoholic Beverages.** Use of your bathtub immediately after meals is not recommended. Avoid alcohol consumption before or during bathing. Alcoholic beverages can cause drowsiness or hyperthermia resulting in loss of consciousness or even drowning.

 **WARNING: Pregnancy.** If you are or think you may be pregnant, consult your physician before using the bathtub.

Use this unit only for its intended use as described in this manual.
Do not use any attachments not recommended by DXV.

SAVE THESE INSTRUCTIONS


GENERAL INSTALLATION INFORMATION

If you have installation or warranty questions please do not return the unit to the place of purchase.
Call 800-227-2734

Always protect tub from construction damage by using a protective cover. Damage, including chips and scratches incurred at the jobsite is excluded from warranty but may be repaired by qualified technician at the owner's expense. Do not stand in the tub or store materials in the tub during construction. Do not store tub in temperatures below 32 degrees Fahrenheit.

Protect all finished surfaces of the bathtub during construction and installation using a drop cloth.

BEFORE YOU BEGIN:

 **CAUTION:** Risk of personal injury. This bath is heavy. Obtain sufficient help and use suction cups/lifting straps to carefully lift or move the tub.

IMPORTANT: To ensure a successful installation it is important that you install the tub on a level finished floor.

- Observe all local plumbing and building codes.

IMPORTANT: An 8" Tail Piece, nut and washer is included in this package.
Make sure you locate and retain these pieces before discarding the carton and packing material.

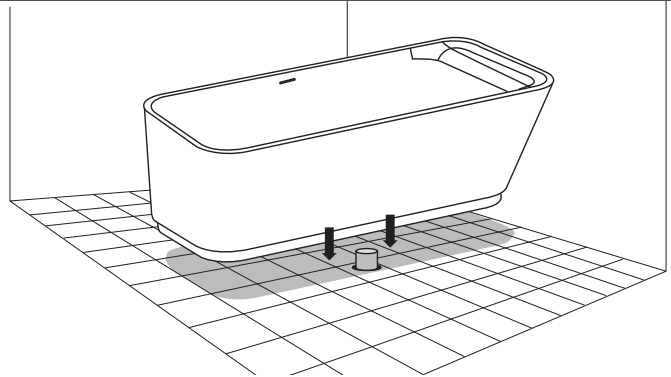
- Unpack and inspect the bath for damage.
- To simplify future maintenance, make sure all plumbing connections around/under the tub can easily fit through openings or doorways.
- Install the tub to an adequately supported, level finished floor.
Refer to the Roughing-in information.
- Carefully plan moving the tub into the installation area prior to doing so.
This tub is heavy and will not easily fit through doorways.
- This tub is designed for a freestanding installation only.
- Illustrations shown may not look like your actual product but they are still correct for this installation.

INSTALLATION INSTRUCTIONS:

NOTE: Provide adequate floor support. The tub is heavy. Obtain sufficient help and use suction cups/lifting straps to carefully lift or move tub.

1

- Make sure the factory-installed drain connections to the tub have not become loose during shipping. Tighten as needed to prevent leakage.
- Carefully place the tub on the finished level floor in the desired location and over the drain/waste outlet.
- Mark the desired tub position or location on the floor with an erasable marker, then remove the tub from the floor and drain/waste outlet.

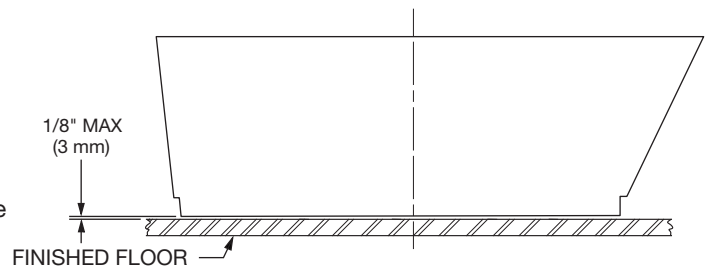


2

- Carefully place tub back on the finished floor, over the drain/waste outlet.
- Check to ensure the tub is level in several directions. Adjustable feet under the tub can be used to further level the tub. Also check that there is a slight gap between the tub base and the floor. Gap shall not exceed 1/8" (3 mm).

NOTE: The drain/waste outlet must be installed in accordance with all local building codes.

All drain connections must be made using an access created beneath the tub.

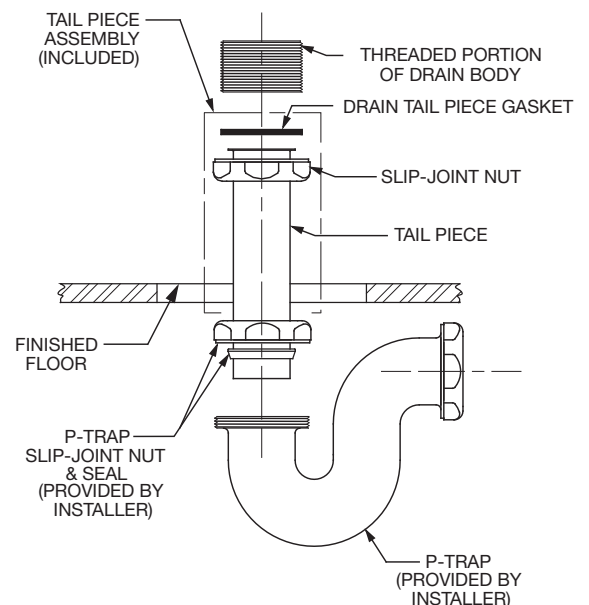


3

INSTALLING THE 1-1/2" DIAMETER TAIL PIECE ASSEMBLY INTO P-TRAP

- The tail piece assembly, consisting of a flanged tail piece, drain tail piece gasket and slip-joint nut used to connect the tub drain to the drain/waste outlet, is included with this product.
- The 1-1/2" diameter tail piece is compatible with drain provided.
- Slide the slip-joint nut over tail piece towards the flanged end as shown.
- Slide the P-trap slip-joint nut and seal over the tail piece as shown.
- Insert the tail piece into the P-trap.
- The tail piece can be cut if necessary.
- Ensure all connections to the tub, tail piece and P-Trap are fully seated and securely tightened.

NOTE: Connecting the tail piece assembly to the drain will require access from beneath the tub.

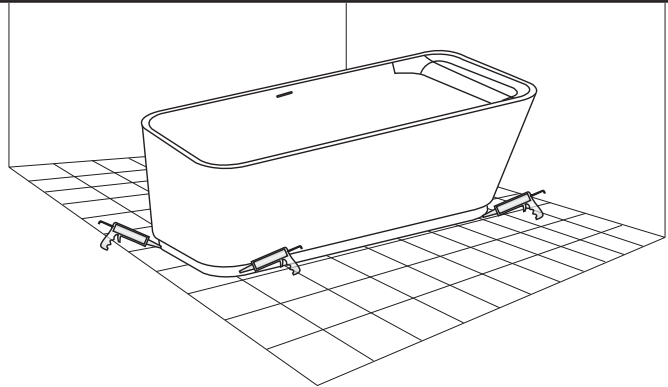


4

- Fill the tub with water and check for leaks. Re-tighten any loose connections as necessary.

5

- Apply a bead of Tub & Tile Caulk around the bottom edge of the tub where it meets the floor. Remove any excess caulking.



FIXTURES

No fixtures can be mounted on the tub deck of freestanding tubs. Floor or wall-mounted fixtures are required.

Wall-Mounted - The position of the tub and the reach of the spout are critical. Pay special attention to the spout reach when choosing your fixtures. Be careful to ensure the spout will extend out far enough to clear the tub flange and the falling water will not hit too high up on the side wall of the tub and splash

Floor-Mounted - Floor-Mounted- Some freestanding fixtures must be anchored to the tub drain for stabilization. The waste and overflow on freestanding tubs are concealed so anchoring to the overflow pipe (or tub structure) is not possible. Many kits (with minor modification) can be mounted to the wall (rather than the drain pipe) for stabilization.

CLEAN-UP

Caution: Risk of product damage: Do not allow cleaners containing petroleum distillates to remain in contact with the surface for long periods of time.

Caution: Risk of product damage: Do not use abrasive cleaners, as they may scratch and dull the bath surface. Use warm water and a liquid, non-abrasive detergent to clean the surface.

Caution: Risk of product damage: Do not use metal scrapers, wire brushes, or other metal tools to remove stains, paint, plaster or tar.

Clean and rinse the bath completely with water immediately after applying cleaners. Rinse and dry any overspray that lands on nearby surfaces.

In the United States:

DXV
One Centennial Avenue
Piscataway, New Jersey 08855
Attention: Director of Customer Care

For residents of the United States, warranty information may also be obtained by calling the following toll free number: (800) 227-2734
www.DXV.com

In Canada:

DXV
5900 Avebury Road
Mississauga, Ontario
L5R 3M3
Canada

Toll Free: 1-800-387-0369
Local: 905-306-1093
Fax: 1-800-395-1498

In Mexico:

DXV
Via Morelos 330
Col. Santa Clara Coatitla
Ecatepec, Estado de México 55540

Toll Free: 01-800-8391200
www.DXV.mx

PART OF **LIXIL**