

INSTALLATION INSTRUCTIONS CARE AND MAINTENANCE

American Standard

AMERICAN STANDARD FURNITURE FOR TOWNSEND SINKS

Thank you for selecting American Standard - the benchmark of fine quality for over 100 years. To ensure this product is installed properly, please read these instructions carefully before you begin. (Certain installations may require professional help.) Also be sure your installation conforms to local codes.

To maintain the beauty of the finish, avoid placing the furniture in direct sunlight, as sunlight causes fading. Also avoid extreme changes in temperature by arranging furniture away from radiators, heat and air vents, and air conditioning units. Avoid placing furniture directly under windows.

Recommended Tools & Materials



Level



Pencil



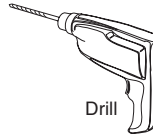
Tape Measure



Safety Glasses



Siliconized Acrylic Caulk



Drill



Phillips Screwdriver



Regular Screwdriver

PLUS:

- Wood Screws
- Framing Nails
- 2x4 or 2x6 Wood

Townsend Sinks (separate purchase required)

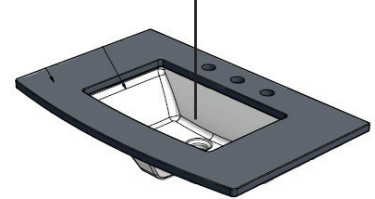
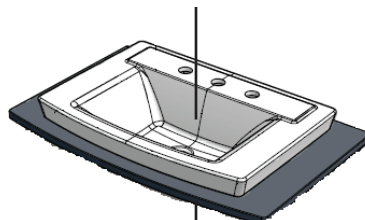
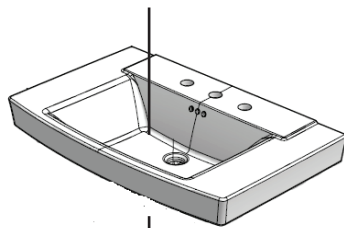
0328 series

or

0329 series

or

0330 series



Quartz Tops (separate purchase - required)

7840.000 series

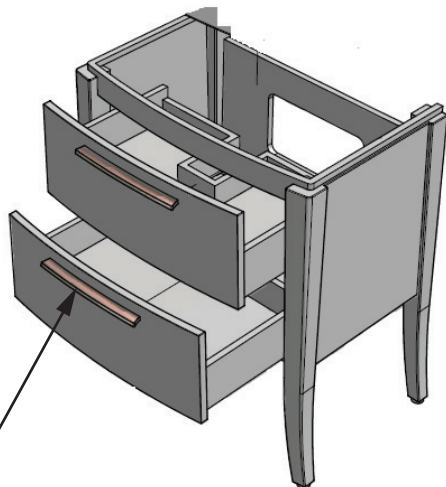
or

7840.800

Attaches to top of furniture:

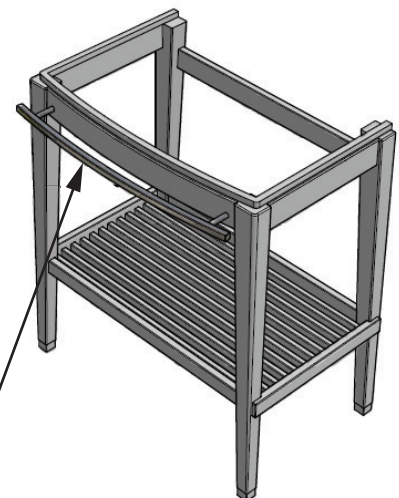
Vanity

9036.030.020 or 9036.030.475
(includes four leveling foot pads)



Washstand

9039.030.020 or 9039.030.475
(includes four leveling foot pads)



Drawer Pull Set of Two (separate purchase - required)
7760.000.002 or 7760.000.295
(includes four attachment screws)

Towel bar (separate purchase - required)
3749.000.002 or 3749.000.295
(includes two attachment screws)

Faucet and drain sold separately

SAVE FOR FUTURE USE



770250-100

Product names listed herein are trademarks of AS America, Inc.
© AS America, Inc. 2017

770250-100

BEFORE YOU BEGIN:

Furniture must be used with Townsend based sinks and quartz tops shown on first page. Other sinks and tops are not compatible with the furniture.

CAUTION: Risk of product damage. Siliconized acrylic caulk must be used to secure the furniture top to the furniture. Do not use 100% silicone sealant as it could damage the furniture finish.

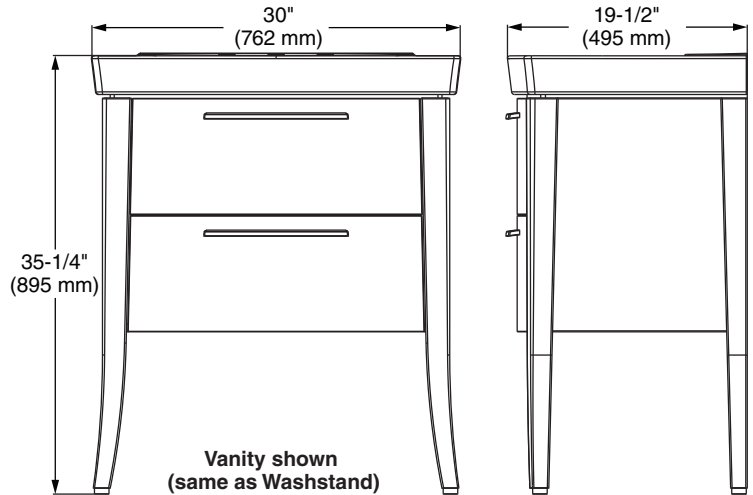
Prior to installation, unpack the furniture and associated accessories and inspect them for damage. Return the product to the protective carton until you are ready to install it.

Refer to the appropriate sink, faucet, and drain documents for installation details. This document is specifically for the furniture installation only.

The furniture is designed to allow base moldings to pass behind them. However, any moldings that may inhibit the furniture from being flush against the wall should be notched accordingly.

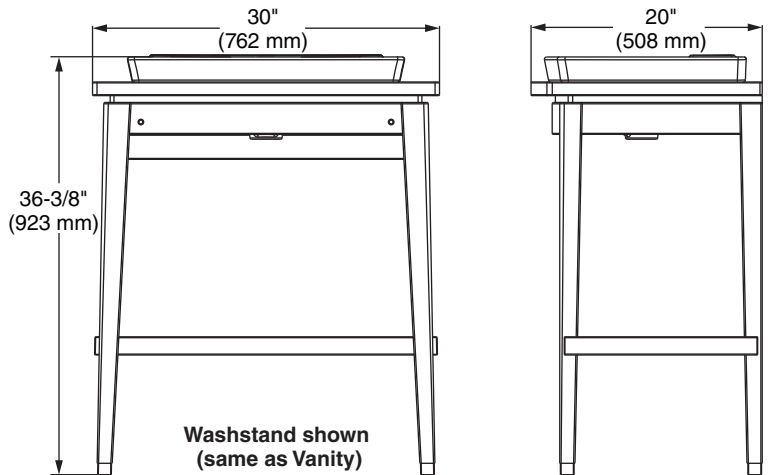
American Standard Furniture Rough-In Dimensions (see sink rough-ins for faucet and drain details)

Nominal Dimensions: 9036.030 Vanity or 9039.030 Washstand
with 0328 Series Townsend Pedestal Sinks



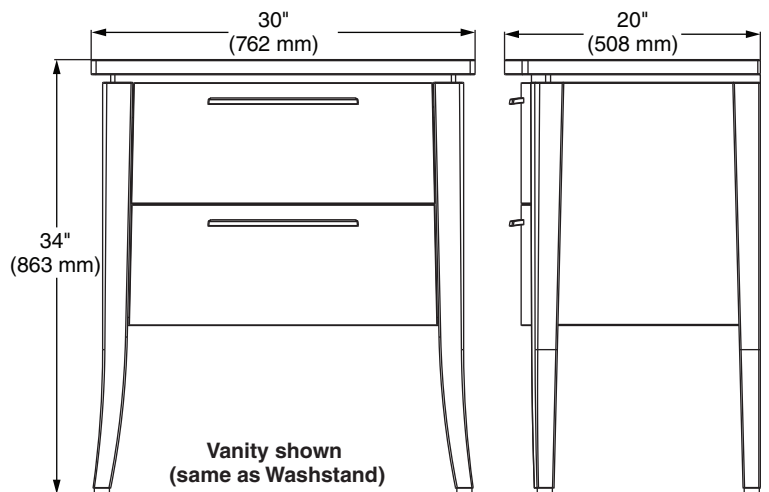
American Standard Furniture Rough-In Dimensions (see sink rough-ins for faucet and drain details)

Nominal Dimensions: 9036.030 Vanity or 9039.030 Washstand
with 0329 Series Townsend Above Counter Sinks and 7840.000.820 Quartz Top



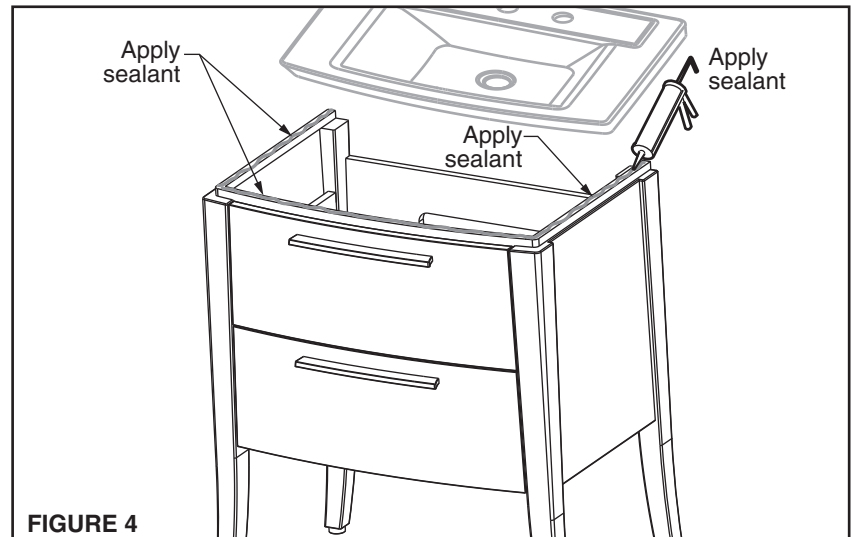
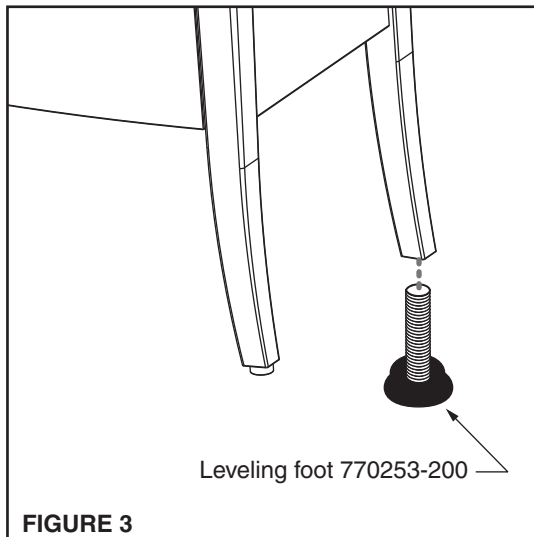
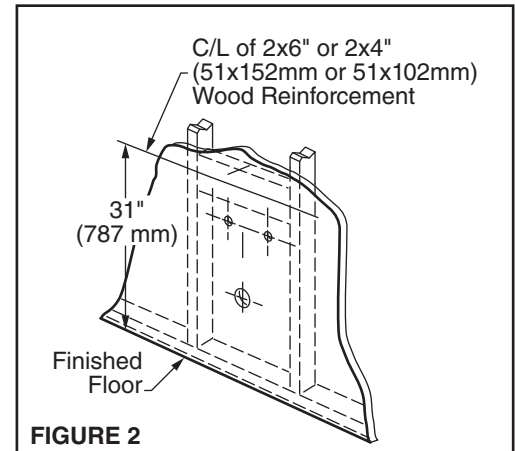
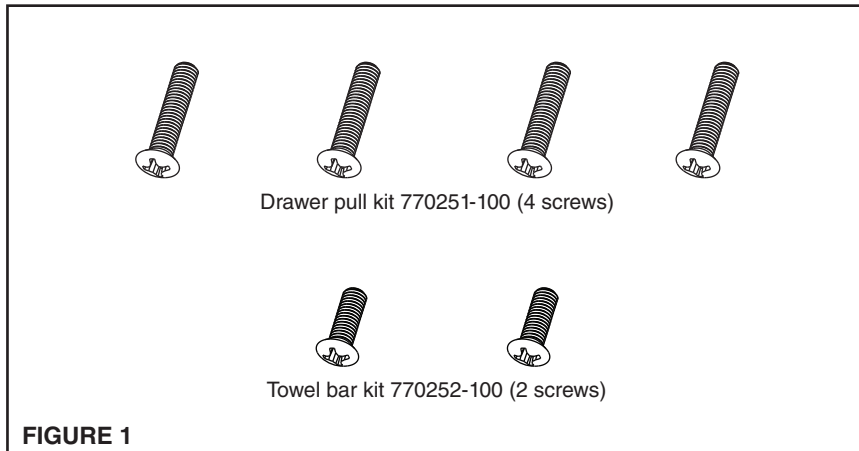
American Standard Furniture Rough-In Dimensions (see sink rough-ins for faucet and drain details)

Nominal Dimensions: 9036.030 Vanity or 9039.030 Washstand
with 0330.000 Townsend Under Counter Sinks and 7840.800.820 Quartz Top



FURNITURE INSTALLATION STEPS:

1. Assemble two drawer pulls to vanity using supplied M5 x 25 screw mounting kit 770251-100 or assemble towel bar to washstand using supplied M8 x 25 screw mounting kit 770252-200 (Figure 1). Note that the drawer pulls and towel bar are required accessories that are purchased separate from the furniture itself.
2. Prepare the wall to safely secure the furniture in place. Provide suitable reinforcement behind the finished wall. Centerline of reinforcement should be 31" (787mm) from the floor (Figure 2).
3. Level furniture by adjusting each of the four 770253-200 leveling feet (Figure 3). Four leveling feet are included with the furniture purchase.
Drill at least two 3/8" (10mm) diameter anchoring holes through the centerline of the rear stringer of the furniture and attach furniture to wall with wood screws not included with furniture. Per step 2 detail, the screws shall be inserted into suitable reinforcement within the wall. Anchor the furniture to the wall through at least two of the anchoring holes in the rear of the furniture.
4. Install the Townsend sink top to the furniture. Refer to the appropriate sink installation instructions for sink details. Note that one of the top options shown on the previous pages are required and are purchased separate from the furniture itself.
5. Apply a 1/8" (3mm) thick bead of water-based caulk around the top edge of the furniture (Figure 4) and place top on furniture. Refer to the first page regarding caulk type. Allow caulk to dry before proceeding.
6. Purchase and install the appropriate faucet and drain according to the manufacturer's instructions.



RECOMMENDED CARE AND CLEANING OF AMERICAN STANDARD FURNITURE:

1. Clean the furniture and quartz tops using soft, slightly damp cloth. Buff the product by using a soft dry cloth.
2. Avoid using silicone cleaners and waxes. Clean up excess water and spills immediately and use a blotting rather than a wiping action. Water left over a long period of time will cause white spots in the finish.
3. **NOTE:** Some chemicals may damage the product finishes. Take care to avoid the following: iodine, hair dye, after shave lotion, shaving cream, alcohol, perfume, Lestoil®, Lysol Tub and Tile Cleaner®, Lysol Spray Disinfectant®, Dow Disinfectant®, acetone, paint remover, Formula 409®, Tile-X® and Nair®.

AS AMERICA, INC. BATHROOM FURNITURE LIMITED WARRANTY

If inspection of this AS America, Inc. ("American Standard®") plumbing product, within one year after its initial purchase, confirms that it is defective in materials or workmanship, American Standard will repair or, at its option, exchange the product for a similar model. Variations in actual wood color and finishes which may result from natural characteristics of the wood, such as grain patterns, mineral streaks and the like, are not defects and are not covered by this limited warranty.

This limited warranty applies only to the original purchaser and installation of these products. In the event of a claim, proof of purchase will be required – **save sales receipts**.

This limited warranty does not apply to local building code compliance. Since local building codes vary considerably, the purchaser of this product should check with a local building or plumbing contractor to ensure local code compliance before installation.

This limited warranty is void if the product has been moved from its initial place of installation; if it has been subjected to faulty maintenance, abuse, misuse, accident or other damages; if it was not installed in accordance with American Standard's instructions; or if it has been modified in a manner inconsistent with the product as shipped by American Standard.

American Standard's option to repair or exchange the product under this limited warranty does not cover any labor or other costs of removal or installation, nor shall American Standard be responsible for any other incidental or consequential damages attributable to a product defect or to the repair or exchange of a defective product, all of which are expressly excluded from this limited warranty. This limited warranty does not cover any liability for consequential or incidental damages, all of which are hereby expressly disclaimed, or the extension beyond the duration of this limited warranty or any implied limited warranties, including those of merchantability or fitness for an intended purpose. (Some states or provinces do not allow the exclusion or limitation of implied limited warranties, so this exclusion may not apply to you).

This limited warranty gives you specific legal rights. You may have other statutory rights that vary from state to state or province to province, in which case this limited warranty does not affect such statutory rights.

In the United States:

American Standard Brands
1 Centennial Ave.
Piscataway, New Jersey 08854
Attention: Director of Customer Care
For residents of the United States, warranty information may also be obtained by calling the following toll free number: (800) 442-1902
www.americanstandard.com

In Canada:

AS Canada, ULC
5900 Avebury Rd.
Mississauga, Ontario
Canada L5R 3M3
Toll Free: (800) 387-0369
www.americanstandard.ca

In Mexico:

American Standard B&K Mexico
S. de R.L. de C.V.
Via Morelos #330
Col. Santa Clara
Ecatepec 55540 Edo. Mexico
Toll Free: 01-800-839-1200
www.americanstandard.com.mx

AS AMERICA, INC. QUARTZ TOP LIMITED WARRANTY

If inspection of this AS America, Inc. ("American Standard") plumbing product, within one year after its initial purchase, confirms that it is defective in materials or workmanship, American Standard will repair or, at its option, exchange the product for a similar model. Variations in shading, veining, and texture which may result from natural characteristics of stone and as such are not defects and are not covered by this limited warranty.

This limited warranty applies only to the original purchaser and installation of these products. In the event of a claim, proof of purchase will be required; save your receipt.

This limited warranty does not apply to local building code compliance. Since local building codes vary considerably, the purchaser of this product should check with a local building or plumbing contractor to insure local code compliance before installation.

This limited warranty is void if the product has been moved from its initial place of installation; if it has been subjected to faulty maintenance, abuse, misuse, accident or other damages; if it was not installed in accordance with American Standard's instructions; or if it has been modified in a manner inconsistent with the product as shipped by American Standard.

American Standard's option to repair or exchange the product under this limited warranty does not cover any labor or other costs of removal or installation, nor shall American Standard be responsible for any other incidental or consequential damages attributable to a product defect or to the repair or exchange of a defective product, all of which are expressly excluded from this limited warranty. This limited warranty does not cover any liability for consequential or incidental damages, all of which are hereby expressly disclaimed, or the extension beyond the duration of this limited warranty of any implied limited warranties, including those of merchantability or fitness for an intended purpose. (Some states or provinces do not allow the exclusion or limitation of implied limited warranties, so this exclusion may not apply to you).

This limited warranty gives you specific legal rights. You may have other statutory rights that vary from state to state or province to province, in which case this limited warranty does not affect such statutory rights.

In the United States:

American Standard Brands
1 Centennial Ave.
Piscataway, New Jersey 08854
Attention: Director of Customer Care
For residents of the United States, warranty information may also be obtained by calling the following toll free number: (800) 442-1902
www.americanstandard.com

In Canada:

AS Canada, ULC
5900 Avebury Rd.
Mississauga, Ontario
Canada L5R 3M3
Toll Free: (800) 387-0369
www.americanstandard.ca

In Mexico:

American Standard B&K Mexico
S. de R.L. de C.V.
Via Morelos #330
Col. Santa Clara
Ecatepec 55540 Edo. Mexico
Toll Free: 01-800-839-1200
www.americanstandard.com.mx

INSTRUCCIONES DE INSTALACIÓN

CUIDADO Y MANTENIMIENTO

MUEBLES AMERICAN STANDARD

PARA LAVABOS TOWNSEND

American Standard

Gracias por elegir American Standard, el parámetro de excelente calidad por más de 100 años. Para asegurar que este producto se instale de manera adecuada, lea las instrucciones con atención antes de comenzar. (Ciertas instalaciones pueden requerir ayuda profesional.) Asegúrese también de realizar la instalación de conformidad con los códigos locales.

Para mantener la belleza del acabado, evite colocar el mueble bajo la luz directa del sol ya que puede decolorarlo. Evite asimismo los cambios drásticos de temperatura colocando los muebles lejos de los radiadores, las rejillas de calefacción y ventilación y las unidades de aire acondicionado. Evite colocar la unidad directamente debajo de las ventanas.

Herramientas y materiales recomendados



Nivel



Lápiz



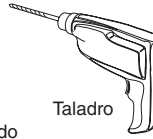
Cinta métrica



Lentes de seguridad



Calafateo de acrílico siliconizado



Taladro



Destornillador Phillips



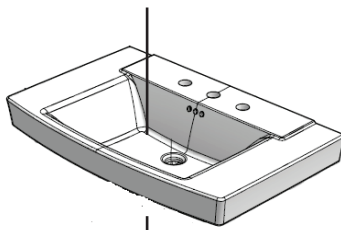
Destornillador común

ADEMÁS:

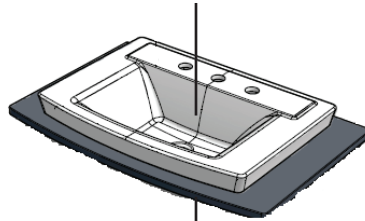
- Tornillos para madera
- Clavos para armazón
- Madera 2x4 o 2x6

Lavabos Townsend (se venden por separado, requeridos)

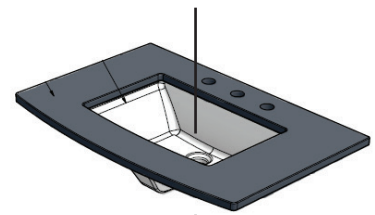
Serie 0328



Serie 0329



Serie 0330



Mesadas de cuarzo (se venden por separado, requeridas)

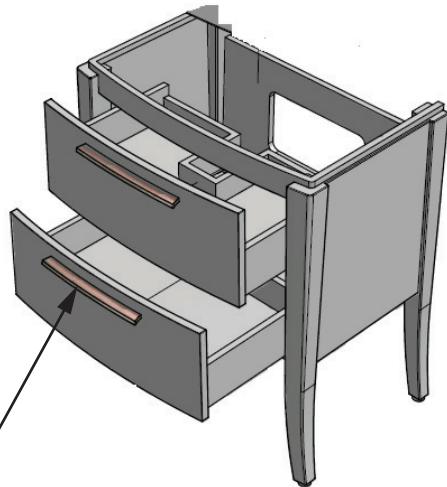
Serie 7840.000

7840.800

Gabinete

9036.030.020 o 9036.030.475

(incluye cuatro almohadillas de nivelación para las patas)

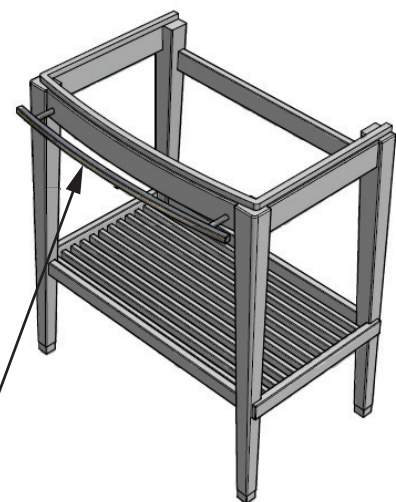


Se fija a la parte posterior del mueble:

Consola

9039.030.020 o 9039.030.475

(incluye cuatro almohadillas de nivelación para las patas)



Juego de dos tiradores para cajón
(se vende por separado, requerido)

7760.000.002 o 7760.000.295

(incluye cuatro tornillos de fijación)

Toallero (se vende por separado)

3749.000.002 o 3749.000.295

(incluye dos tornillos de fijación)

La llave y el desagüe se venden por separado



770250-100

Los nombres de producto mencionados en este documento son marcas de comercio de AS America, Inc.
© AS America, Inc. 2017

770250-100SP

G U A R D A R P A R A U S O F U T U R O

ANTES DE COMENZAR:

El mueble debe usarse con los lavabos Townsend y las mesadas de cuarzo que se muestran en la primera página. No es compatible con otros lavabos y mesadas.

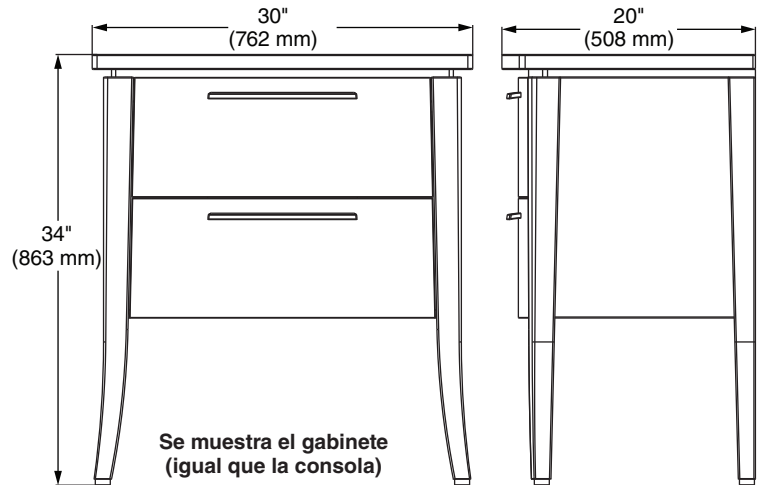
PRECAUCIÓN: Riesgo de que se dañe el producto. El calafateo de acrílico siliconizado debe usarse para fijar la mesada al mueble. No use sellador de silicona 100%, ya que podría dañar el acabado del mueble.

Antes de la instalación, desempaque el mueble y los accesorios y verifique que no estén dañados. Vuelva a guardar el producto en el cartón protector hasta instalarlo.

Consulte los documentos del lavabo, de la llave y del desagüe para los detalles de la instalación. Este documento se refiere específicamente a la instalación del mueble.

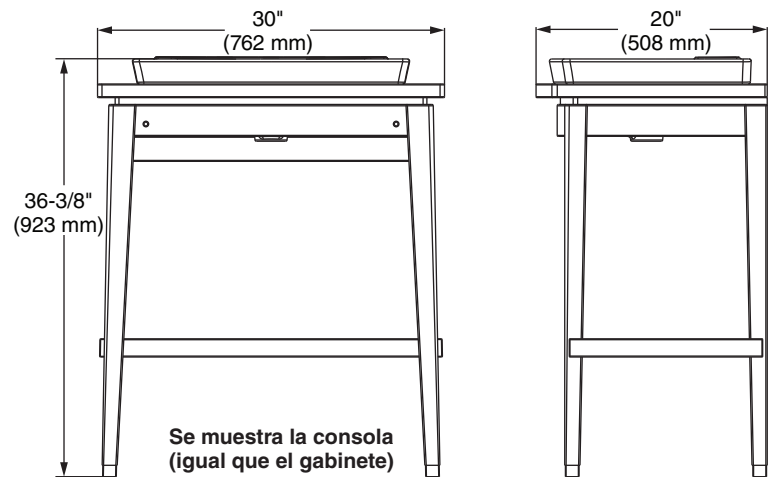
El mueble fue diseñado para permitir que las molduras de base pasen detrás de él. Sin embargo, cualquier moldura que no permita que el mueble esté alineado con la pared debe cortarse como corresponda.

Dimensiones de preparación para los muebles American Standard (consulte las dimensiones de preparación del lavabo para la información sobre la llave y el desagüe)



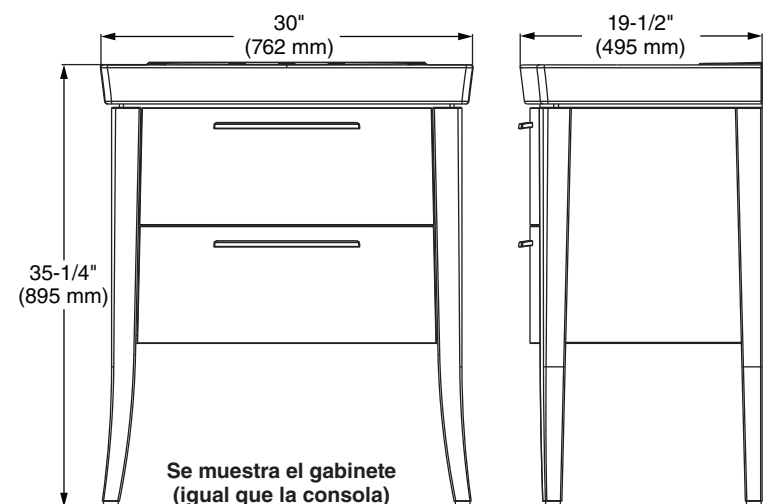
Dimensiones nominales: 9036.030 Gabinete o 9039.030 Consola con Lavabos con Pedestal Townsend Serie 0328

Dimensiones de preparación para los muebles American Standard (consulte las dimensiones de preparación del lavabo para la información sobre la llave y el desagüe)



Dimensiones nominales: 9036.030 Gabinete o 9039.030 Consola con Lavabos sobre Mesada Townsend Serie 0329 y Mesada de Cuarzo 7840.000.820

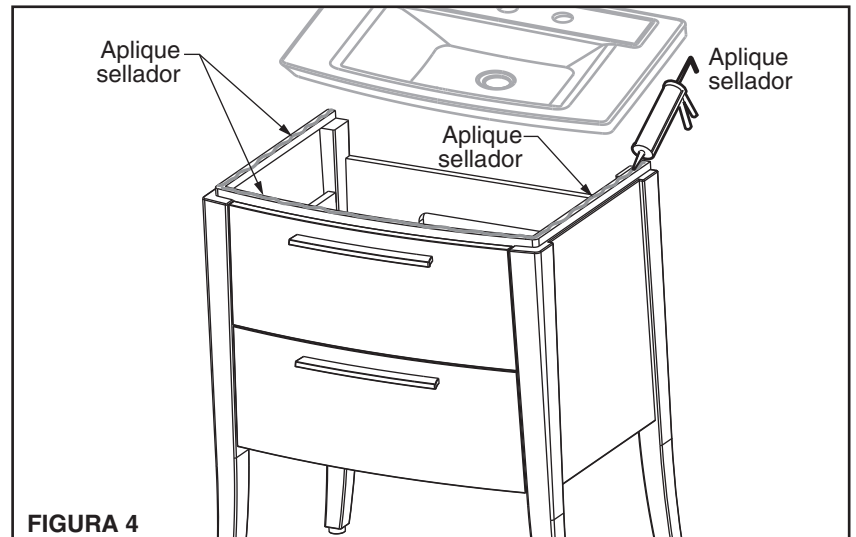
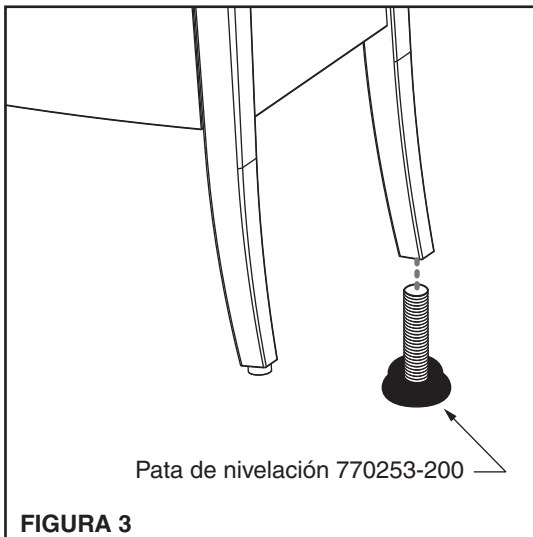
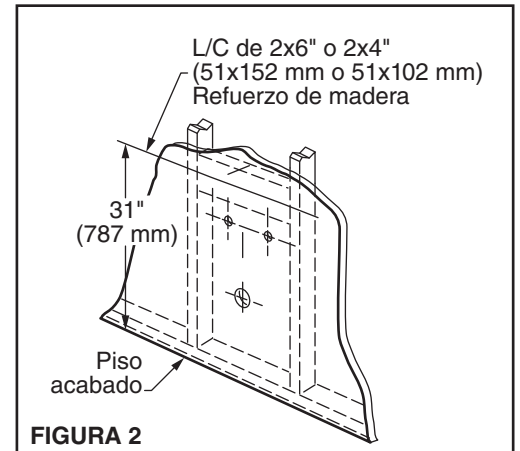
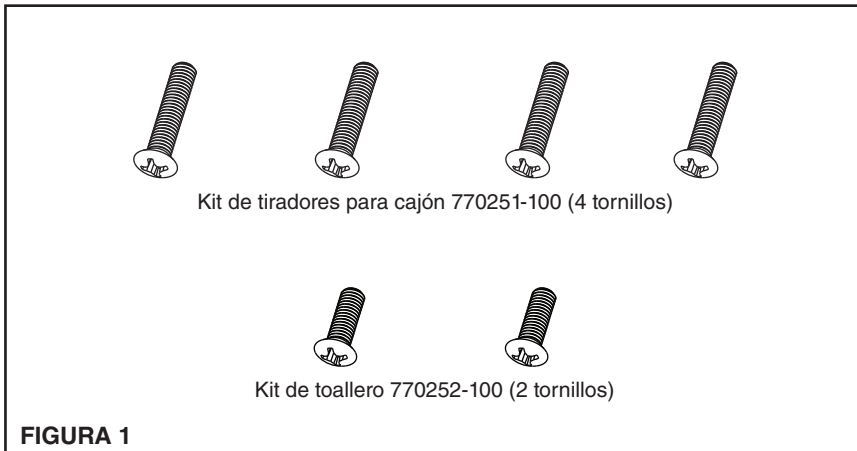
Dimensiones de preparación para los muebles American Standard (consulte las dimensiones de preparación del lavabo para la información sobre la llave y el desagüe)



Dimensiones nominales: 9036.030 Gabinete o 9039.030 Consola con Lavabos bajo Mesada Townsend 0330.000 y Mesada de Cuarzo 7840.800.820

PASOS PARA LA INSTALACIÓN DEL MUEBLE:

1. Fije dos tiradores para cajón al gabinete usando el kit de montaje 770251-100 con los tornillos M5 x 25 suministrados o ensamble el toallero a la consola usando el kit de montaje 770252-200 con los tornillos M8 x 25 suministrados (Figura 1). Los tiradores para cajón y el toallero son accesorios requeridos que se compran por separado del mueble.
2. Prepare la pared para fijar bien el mueble en su lugar. Brinde el refuerzo adecuado detrás de la pared terminada. La línea central del refuerzo debe estar a 31" (787 mm) del piso (Figura 2).
3. Nivele el mueble ajustando cada una de las cuatro patas de nivelación 770253-200 (Figura 3). Las cuatro patas de nivelación se incluyen con la compra del mueble.
4. Taladre por los menos dos orificios de anclaje de 3/8" (10 mm) de diámetro a través de la línea central del travesaño posterior del mueble y fije el mueble a la pared usando tornillos para madera (no se incluyen con el mueble). Tal como se indica en el paso 2, los tornillos se insertarán en el refuerzo adecuado dentro de la pared. Fije el mueble a la pared usando por lo menos dos de los orificios de anclaje en la parte posterior del mueble.
5. Instale la mesada del lavabo Townsend en el mueble. Consulte los detalles del lavabo en las instrucciones de instalación del lavabo. Se requiere una de las opciones de mesada que se muestran en la página anterior (se venden por separado).
6. Aplique una gota de un grosor de 1/8" (3 mm) de calafateo a base de agua alrededor del borde superior del mueble (Figura 4) y coloque la mesada sobre el mueble. Consulte la primera página para obtener información sobre el tipo de calafateo. Deje secar el calafateo antes de proceder.
7. Compre e instale la llave y el desagüe adecuados según las instrucciones del fabricante.



RECOMENDACIONES DE CUIDADO Y LIMPIEZA PARA LOS MUEBLES AMERICAN STANDARD:

1. Limpie el mueble y las mesadas de cuarzo usando un paño suave y ligeramente húmedo. Lustre el producto usando un paño suave seco.
2. No use limpiadores de silicona ni ceras. Retire el exceso de agua y los derrames de inmediato y seque dando golpecitos en lugar de deslizando el paño. Si deja agua mucho tiempo, causará manchas blancas en el acabado.
3. **NOTA:** Algunos químicos pueden dañar el acabado del producto. Evite lo siguiente: yodo, tinte para cabello, loción para después de rasurar, crema para rasurar, alcohol, perfume, Lestoil®, Lysol Tub and Tile Cleaner®, Lysol Spray Disinfectant®, Dow Disinfectant®, acetona, removedor de pintura, Formula 409®, Tile-X® y Nair®.

GARANTÍA LIMITADA DE AS AMERICA, INC. PARA LOS MUEBLES DE BAÑO

Si, dentro del año de haber adquirido este producto sanitario AS America, Inc. ("American Standard®") por primera vez, se confirma mediante inspección que tiene defectos en los materiales o la mano de obra, American Standard reparará o, a su opción, cambiará el producto por un modelo similar. Esta garantía limitada no cubre las variaciones en el color y los acabados de la madera que pueden resultar de las características naturales de la madera, como los patrones de los granos, las vetas minerales y otras características, que no son defectos.

Esta garantía limitada se aplica solamente al comprador y a la instalación originales de estos productos. En el caso de un reclamo, se exigirá la presentación del comprobante de compra; **guarde su recibo de compra.**

Esta garantía limitada no se aplica al cumplimiento de los códigos locales de construcción. Dado que los códigos locales de construcción varían considerablemente, el comprador del producto debe consultar a un contratista local de servicios de construcción o plomería para asegurar el cumplimiento de las normas locales antes de efectuar la instalación.

Esta garantía limitada quedará sin efecto si el producto se movió de su lugar inicial de instalación; en casos de mantenimiento inadecuado, abuso, uso incorrecto, accidente u otros daños; si no se instaló de acuerdo con las instrucciones de American Standard o si se lo modificó de una manera incongruente con el producto tal como fue enviado por American Standard.

La opción de American Standard de reparar o cambiar el producto conforme a esta garantía limitada no cubre los costos de mano de obra ni de otro tipo incurridos para retirar o instalar el producto. American Standard tampoco será responsable de ningunos otros daños y perjuicios incidentales o emergentes atribuibles a un defecto del producto o a la reparación o al cambio de un producto defectuoso, los cuales quedan todos excluidos expresamente de esta garantía limitada. Esta garantía limitada no cubre responsabilidad alguna por daños emergentes o incidentales, quedando expresamente deslindada toda responsabilidad al respecto, o la prórroga más allá del plazo de esta garantía limitada o cualquier garantía implícita limitada, incluyendo las garantías de comerciabilidad o aptitud para un fin determinado. (Algunos estados o provincias no permiten la exclusión o limitación de garantías implícitas limitadas, por lo cual esta exclusión podría no aplicarse a su caso.)

Esta garantía limitada le otorga derechos legales específicos. Es posible que tenga otros derechos establecidos por ley que varían de un estado a otro o de una provincia a otra, en cuyo caso esta garantía limitada no afecta tales derechos establecidos por ley.

En Estados Unidos:

American Standard Brands
1 Centennial Ave.
Piscataway, Nueva Jersey 08854
Attention: Director of Customer Care
Los residentes de Estados Unidos también pueden obtener información sobre la garantía llamando al siguiente número gratuito: (800) 442-1902.
www.americanstandard.com

En Canadá:

AS Canada, ULC
5900 Avebury Rd.
Mississauga, Ontario
Canadá L5R 3M3
Número gratuito: (800) 387-0369
www.americanstandard.ca

En México:

American Standard B&K Mexico
S. de R.L. de C.V.
Vía Morelos #330
Col. Santa Clara
Ecatepec 55540 Edo. México
Número gratuito: 01-800-839-1200
www.americanstandard.com.mx

GARANTÍA LIMITADA DE AS AMERICA, INC. PARA LAS MESADAS DE CUARZO

Si, dentro del año de haber adquirido este producto sanitario AS America, Inc. ("American Standard") por primera vez, se confirma mediante inspección que tiene defectos en los materiales o la mano de obra, American Standard reparará o, a su opción, cambiará el producto por un modelo similar. Esta garantía limitada no cubre las variaciones en tonos, vetas y textura que pueden resultar de las características naturales de la piedra, dado que como tales no constituyen defectos.

Esta garantía limitada se aplica solamente al comprador y a la instalación originales de estos productos. En el caso de un reclamo, se exigirá la presentación del comprobante de compra; **guarde su recibo.**

Esta garantía limitada no se aplica al cumplimiento de los códigos locales de construcción. Dado que los códigos locales de construcción varían considerablemente, el comprador del producto debe consultar a un contratista local de servicios de construcción o plomería para asegurar el cumplimiento de las normas locales antes de efectuar la instalación.

Esta garantía limitada quedará sin efecto si el producto se movió de su lugar inicial de instalación; en casos de mantenimiento inadecuado, abuso, uso incorrecto, accidente u otros daños; si no se instaló de acuerdo con las instrucciones de American Standard o si se lo modificó de una manera incongruente con el producto tal como fue enviado por American Standard.

La opción de American Standard de reparar o cambiar el producto conforme a esta garantía limitada no cubre los costos de mano de obra ni de otro tipo incurridos para retirar o instalar el producto. American Standard tampoco será responsable de ningunos otros daños y perjuicios incidentales o emergentes atribuibles a un defecto del producto o a la reparación o al cambio de un producto defectuoso, los cuales quedan todos excluidos expresamente de esta garantía limitada. Esta garantía limitada no cubre responsabilidad alguna por daños emergentes o incidentales, quedando expresamente deslindada toda responsabilidad al respecto, o la prórroga más allá del plazo de esta garantía limitada de cualquier garantía implícita limitada, incluyendo las garantías de comerciabilidad o aptitud para un fin determinado. (Algunos estados o provincias no permiten la exclusión o limitación de garantías implícitas limitadas, por lo cual esta exclusión podría no aplicarse a su caso.)

Esta garantía limitada le otorga derechos legales específicos. Es posible que tenga otros derechos establecidos por ley que varían de un estado a otro o de una provincia a otra, en cuyo caso esta garantía limitada no afecta tales derechos establecidos por ley.

En Estados Unidos:

American Standard Brands
1 Centennial Ave.
Piscataway, Nueva Jersey 08854
Attention: Director of Customer Care
Los residentes de Estados Unidos también pueden obtener información sobre la garantía llamando al siguiente número gratuito: (800) 442-1902.
www.americanstandard.com

En Canadá:

AS Canada, ULC
5900 Avebury Rd.
Mississauga, Ontario
Canadá L5R 3M3
Número gratuito: (800) 387-0369
www.americanstandard.ca

En México:

American Standard B&K Mexico
S. de R.L. de C.V.
Vía Morelos #330
Col. Santa Clara
Ecatepec 55540 Edo. México
Número gratuito: 01-800-839-1200
www.americanstandard.com.mx

INSTRUCTIONS D'INSTALLATION ENTRETIEN ET MAINTENANCE

*American
Standard*

MEUBLES AMERICAN STANDARD POUR LES LAVABOS TOWNSEND

Merci d'avoir choisi American Standard, la référence en matière de qualité depuis plus de 100 ans. Afin de garantir une installation adéquate, veuillez lire attentivement ces instructions avant de commencer. (Certaines installations peuvent requérir l'aide d'un professionnel.) De plus, assurez-vous que votre installation est en conformité avec le code local.

Pour préserver la beauté du fini, assurez-vous de ne pas placer le meuble à la lumière directe du soleil, car celui-ci peut entraîner la décoloration. Évitez également les changements de température extrêmes en plaçant le meuble loin des radiateurs, des orifices de chauffage ou de ventilation et des climatiseurs. Assurez-vous de ne pas placer le meuble directement au-dessous des fenêtres.

Outils et matériaux recommandés



Niveau



Crayon



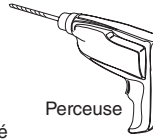
Galon à mesurer



Lunettes de sécurité



Calfeutrage à l'acrylique siliciné



Perceuse



Tournevis à pointe cruciforme



Tournevis classique

PLUS :

- Vis en bois
- Clous à charpente
- Bois 2x4 ou 2x6

Lavabos Townsend (doit être acheté séparément)

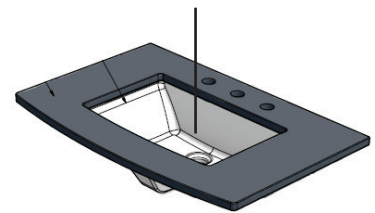
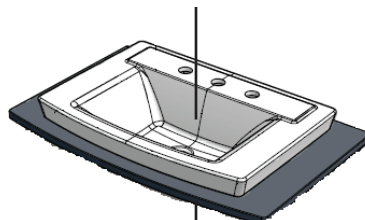
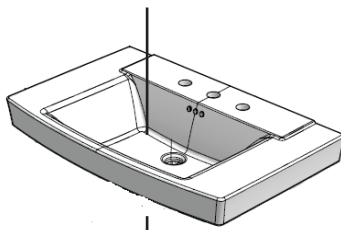
Série 0328

ou

Série 0329

ou

Série 0330



Dessus en quartz (doit être acheté séparément)

Série 7840.000

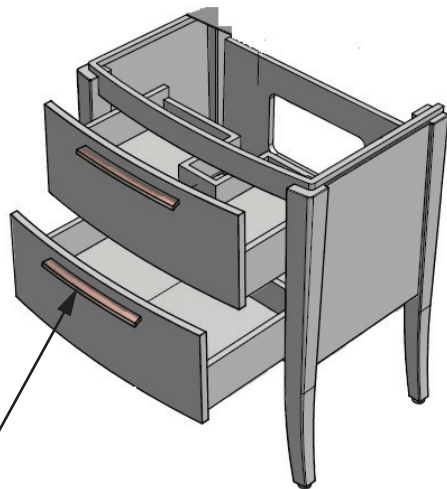
ou

7840.800

Meuble-lavabo

9036.030.020 ou 9036.030.475

(comprend quatre coussinets pour pieds réglables)

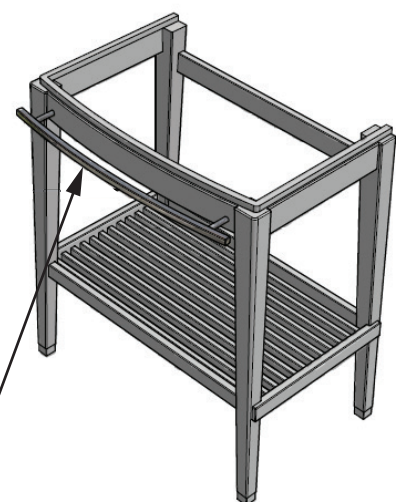


S'attache au-dessus du meuble :

Table de toilette

9039.030.020 ou 9039.030.475

(comprend quatre coussinets pour pieds réglables)



Ensemble de deux poignées de tiroir

(doit être acheté séparément)

7760.000.002 ou 7760.000.295

(comprend quatre vis de fixation)

Porte-serviette (doit être acheté séparément)

3749.000.002 ou 3749.000.295

(comprend deux vis de fixation)

Robinet et drain vendus séparément



770250-100

Les noms des produits indiqués dans la présente sont des marques de commerce de AS America Inc.
© AS America, Inc. 2017

770250-100FR

U
L
T
R
I
E
R
I
E
R
E

U
T
I
L
I
S
A
T
I
O
N

P
O
U
R
U
N
E
U
T
I
L
I
S
A
T
I
O
N

C
O
N
S
E
R
V
E
Z

AVANT DE COMMENCER :

Le meuble doit être utilisé avec les lavabos Townsend et les dessus en quartz comme illustré sur la première page. D'autres lavabos et dessus ne sont pas compatibles avec ce meuble.

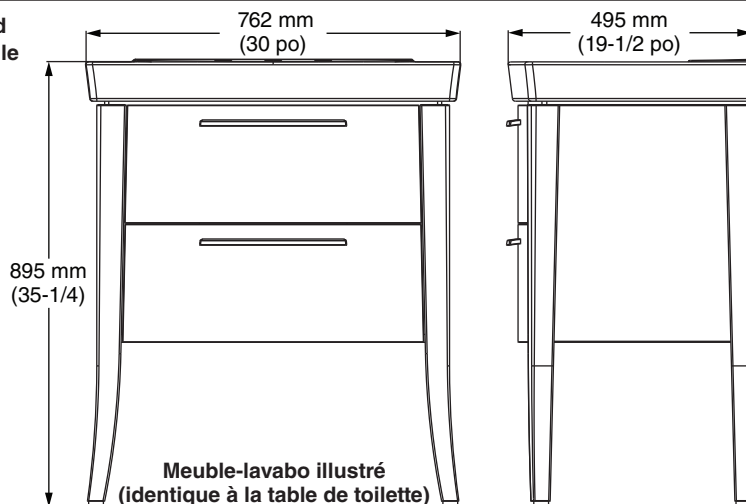
ATTENTION: Risque de dommage au produit. Le calfeutrage à l'acrylique siliconé doit être utilisé pour fixer le dessus au meuble. N'utilisez pas de mastic en silicone 100 % car celui-ci peut endommager le fini du meuble.

Avant l'installation, déballez le meuble et les accessoires connexes et vérifiez qu'ils ne sont pas endommagés. Remplacez le produit dans le carton de protection jusqu'à ce que vous soyez prêt à l'installer.

Référez-vous aux documents appropriés sur le lavabo, le robinet et le drain pour obtenir des détails sur l'installation. Le présent document fait spécifiquement référence à l'installation du meuble uniquement.

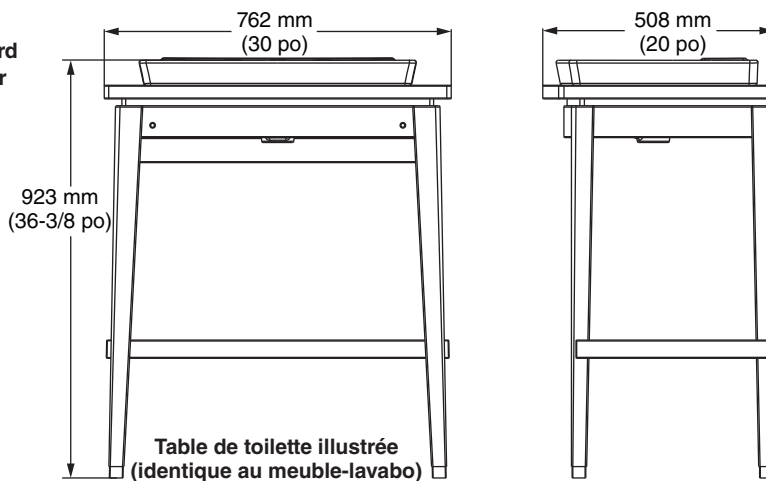
Le meuble est conçu pour permettre aux moulures de base de passer derrière. Cependant, toute moulure pouvant empêcher le meuble de rester de niveau contre le mur doit être entaillée au besoin.

Dimensions pour le raccordement des meubles American Standard (voir les dimensions brutes du lavabo pour obtenir des détails sur le robinet et le drain)



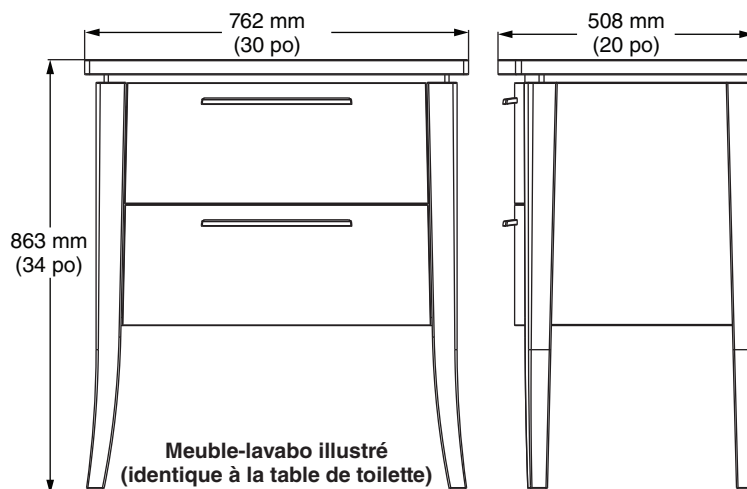
Dimensions nominales : 9036.030 Meuble-lavabo ou 9039.030
Table de toilette avec lavabos sur colonne Townsend de série 0328

Dimensions pour le raccordement des meubles American Standard (voir les dimensions brutes du lavabo pour obtenir des détails sur le robinet et le drain)



Dimensions nominales : 9036.030 Meuble-lavabo ou 9039.030
Table de toilette avec Lavabos sur comptoir Townsend de série 0329 et 7840.000.820 Dessus en quartz

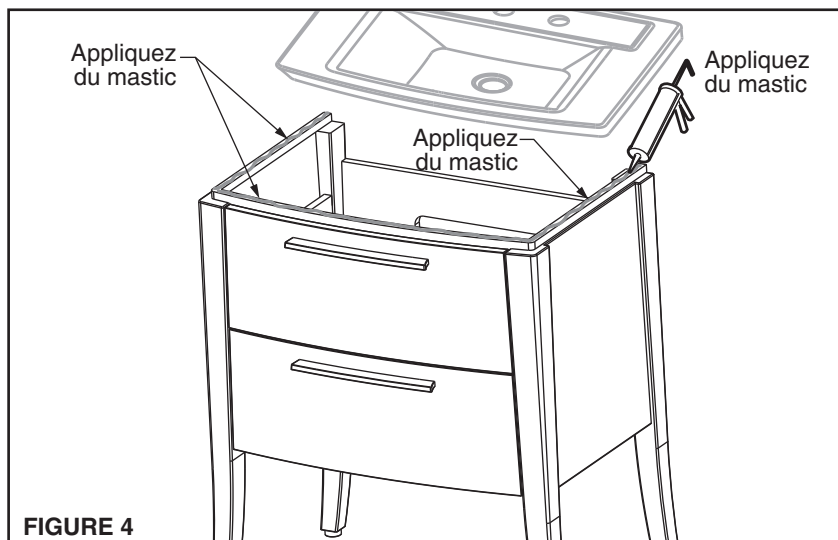
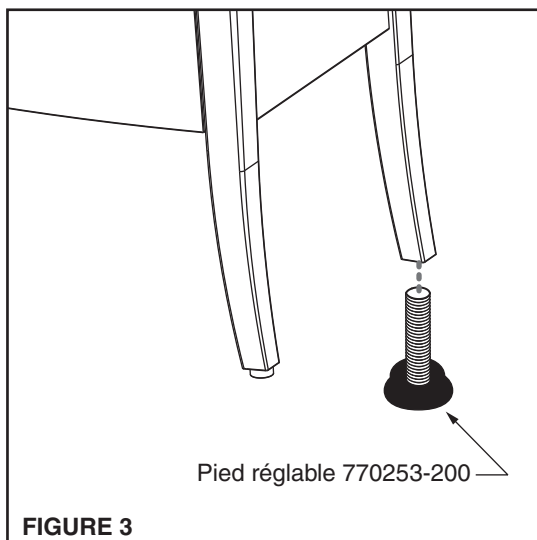
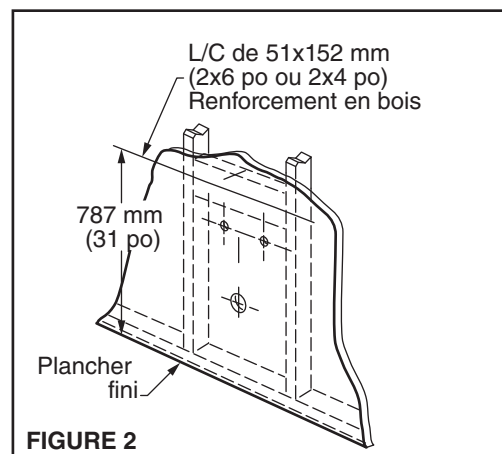
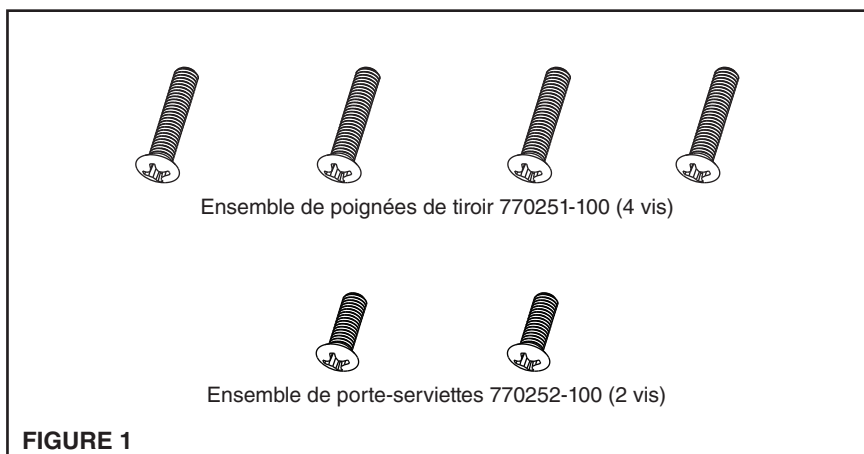
Dimensions pour le raccordement des meubles American Standard (voir les dimensions brutes du lavabo pour obtenir des détails sur le robinet et le drain)



Dimensions nominales : 9036.030 Meuble-lavabo ou 9039.030
Table de toilette avec Lavabos sous comptoir Townsend de série 0330.000 et 7840.800.820 Dessus en quartz

ÉTAPES D'INSTALLATION DU MEUBLE :

1. Fixez deux poignées de tiroir au meuble-lavabo à l'aide de l'ensemble des vis de fixation M5 x 25 fourni (770251-100) ou fixez le porte-serviette à la table de toilette à l'aide de l'ensemble des vis de fixation M8 x 25 fourni (770252-200) (Figure 1). Veuillez remarquer que les poignées de tiroir et le porte-serviette sont des accessoires requis et doivent être achetés séparément du meuble.
2. Préparez le mur afin d'y fixer solidement le meuble. Fournissez un renforcement adéquat derrière le mur fini. La ligne centrale du renforcement doit être située à 787 mm (31 po) du sol (Figure 2)
3. Mettez à niveau le meuble en ajustant les quatre pieds réglables 770253-200 (Figure 3). Quatre pieds réglables sont inclus avec l'achat du meuble.
4. Percez au moins deux trous d'ancrage de 10 mm (3/8 po) dans la ligne centrale de la longrine arrière du meuble et fixez le meuble au mur à l'aide des vis en bois (non fournies avec le meuble). Comme mentionné dans l'étape 2, les vis doivent être insérées dans le renforcement adéquat dans le mur. Fixez le meuble au mur à partir d'au moins deux des trous d'ancrage à l'arrière du meuble.
5. Installez le dessus de lavabo Townsend sur le meuble. Référez-vous aux instructions d'installation appropriées pour obtenir des détails sur le lavabo. Veuillez remarquer que vous devez sélectionner l'un des choix de dessus mentionnés aux pages précédentes et que celui-ci doit être acheté séparément du meuble.
6. Appliquez un trait de calfeutrage à base d'eau d'une épaisseur de 3 mm (1/8 po) autour de la partie supérieure du meuble (Figure 4) et placez le dessus sur le meuble. Référez-vous à la première page pour obtenir des détails sur le type de calfeutrage. Laissez sécher le calfeutrage avant de procéder.
7. Achetez et installez le robinet et le drain appropriés selon les instructions du fabricant.



ENTRETIEN ET NETTOYAGE RECOMMANDÉS POUR LES MEUBLES AMERICAN STANDARD :

1. Nettoyez le meuble et le dessus en quartz en utilisant un linge doux légèrement humide. Lustrez le produit en utilisant un linge doux et sec.
2. N'utilisez pas de nettoyeurs avec silicone ou de la cire. Enlevez l'eau excédentaire et les liquides renversés immédiatement. Épongez au lieu d'essuyer. L'eau laissée pendant une longue période peut causer des taches blanches sur le fini.
3. **REMARQUE :** Certains produits chimiques peuvent endommager les finis du produit. Prenez soin d'éviter ces produits : iode, colorant capillaire, lotion après rasage, crème à raser, alcool, parfum, Lestoil®, nettoyeur pour la baignoire et les carreaux Lysol®, désinfectant en aérosol Lysol®, désinfectant Dow®, acétone, décapant, produits Formula 409®, Tile-X®, et Nair®.

GARANTIE LIMITÉE À VIE GARANTIE LIMITÉE SUR LES MEUBLES DE SALLE DE BAIN

Si l'examen de ce produit de plomberie d'AS America, Inc. (« American Standard® »), effectué au cours de la période d'un an suivant l'achat initial, confirme que le matériel est défectueux ou qu'il y a un défaut de fabrication, American Standard réparera le produit ou l'échangera, à son entière discrétion, pour un modèle semblable. Des variations à l'égard des teintes et des finis du bois, qui pourraient être le reflet de caractéristiques naturelles du bois telles que les motifs du grain du bois, les rainures minérales ne constituent pas des défauts et elles ne sont pas couvertes par la présente garantie limitée.

La présente garantie limitée ne s'applique qu'à l'acheteur et à l'installation d'origine de ces produits. Dans l'éventualité d'une réclamation, une preuve d'achat sera exigée — **conservez tout reçu d'achat.**

Cette garantie limitée ne s'applique pas à la conformité au code de construction local. Puisque les codes de construction locaux peuvent varier de façon considérable, l'acheteur de ce produit doit effectuer des vérifications auprès d'un entrepreneur en plomberie ou en construction local afin de s'assurer de la conformité au code local avant l'utilisation.

La garantie limitée est nulle si le produit a été déplacé de son emplacement initial d'installation; s'il a fait l'objet d'un entretien défectueux, d'abus, de mauvaise utilisation, d'un accident ou a subi d'autres dommages; s'il n'a pas été installé conformément aux directives d'American Standard; ou s'il a été modifié d'une façon qui est incompatible avec le produit tel qu'il a été livré par American Standard.

L'option d'American Standard de réparer ou de remplacer le produit en vertu de la présente garantie limitée ne couvre pas les coûts de main-d'œuvre ni aucun autre coût pour le retrait ou l'installation du produit. American Standard ne sera nullement tenue responsable de tout dommage consécutif ou indirect attribuable à une défectuosité d'un produit ou à la réparation ou à l'échange d'un produit défectueux, tous étant expressément exclus de la présente garantie limitée. Cette garantie limitée ne couvre aucune responsabilité pour les dommages indirects ou consécutifs, laquelle est expressément niée, ou la prolongation au-delà de la durée de la présente garantie limitée de toutes garanties limitées implicites, incluant celles de qualité marchande ou d'aptitude dans un but particulier. (Certains États ou certaines provinces ne permettent pas l'exclusion ni la limitation de garanties limitées implicites. Cette exclusion pourrait donc ne pas s'appliquer à vous.)

La présente garantie limitée vous confère des droits juridiques particuliers. Vous pourriez pouvoir vous prévaloir d'autres droits prévus par la loi qui varient d'une province à l'autre ou d'un état à l'autre et, dans ces cas, la présente garantie n'a aucun effet sur ces droits prévus par la loi.

Aux États-Unis :

American Standard Brands
1 Centennial Ave.
Piscataway, New Jersey 08854
Attention : Director of Customer Care
Pour les résidents des États-Unis, il est également possible d'obtenir les renseignements relatifs à la garantie en téléphonant au numéro sans frais suivant : 800-442-1902.
www.americanstandard.com

Au Canada :

AS Canada, ULC
5900 Avebury Rd.
Mississauga (Ontario)
Canada L5R 3M3
Sans frais : 800-387-0369
www.americanstandard.ca

Au Mexique :

American Standard B&K Mexico
S. de R.L. de C.V.
Via Morelos #330
Col. Santa Clara
Ecatepec 55540 Edo. Mexico
Sans frais : 01-800-839-1200
www.americanstandard.com.mx

AS AMERICA, INC. GARANTIE LIMITÉE SUR LE DESSUS EN QUARTZ

Si l'examen de ce produit de plomberie AS America, Inc. (« American Standard »), effectué au cours de la période d'un an suivant l'achat initial, confirme que le matériel est défectueux ou qu'il y a un défaut de fabrication, American Standard réparera le produit ou l'échangera, à son entière discrétion, pour un modèle semblable.

Des variations à l'égard des dégradés, des nervures et des textures qui pourraient être le reflet de caractéristiques naturelles de la pierre ne constituent pas des défauts et elles ne sont pas couvertes par la présente garantie limitée.

La présente garantie limitée ne s'applique qu'à l'acheteur et à l'installation d'origine de ces produits. Dans l'éventualité d'une réclamation, une preuve d'achat sera exigée - conservez votre reçu.

Cette garantie limitée ne s'applique pas à la conformité au code de construction local. Puisque les codes de construction locaux peuvent varier de façon considérable, l'acheteur de ce produit doit effectuer des vérifications auprès d'un entrepreneur en plomberie ou en construction local afin de s'assurer de la conformité au code local avant l'utilisation.

La garantie limitée est nulle si le produit a été déplacé de son emplacement initial d'installation; s'il a fait l'objet d'un entretien défectueux, d'abus, d'une mauvaise utilisation, d'un accident ou a subi d'autres dommages; s'il n'a pas été installé conformément aux directives d'American Standard; ou s'il a été modifié d'une façon qui est incompatible avec le produit tel qu'il a été livré par American Standard.

L'option d'American Standard de réparer ou de remplacer le produit en vertu de la présente garantie limitée ne couvre pas les coûts de main-d'œuvre ni aucun autre coût pour l'enlèvement ou l'installation du produit. American Standard ne sera nullement tenue responsable de quelque dommage autre, qu'il soit de nature consécutive ou indirecte, qui soit attribuable à une défectuosité d'un produit ou à la réparation ou à l'échange d'un produit défectueux, tous étant expressément exclus de la présente garantie limitée. Cette garantie limitée ne couvre aucune responsabilité pour les dommages indirects ou consécutifs, laquelle est expressément niée, ou la prolongation au-delà de la durée de la présente garantie limitée de toutes garanties limitées implicites, incluant celles de qualité marchande ou d'aptitude dans un but particulier. (Certains États ou certaines provinces ne permettent pas l'exclusion ni la limitation de garanties limitées implicites. Cette exclusion pourrait donc ne pas s'appliquer à vous.)

La présente garantie limitée vous confère des droits juridiques particuliers. Vous pourriez pouvoir vous prévaloir d'autres droits prévus par la loi qui varient d'une province à l'autre ou d'un état à l'autre et, dans ces cas, la présente garantie n'a aucun effet sur ces droits prévus par la loi.

Aux États-Unis :

American Standard Brands
1 Centennial Ave.
Piscataway, New Jersey 08854
Attention : Director of Customer Care
Pour les résidents des États-Unis, il est également possible d'obtenir les renseignements relatifs à la garantie en téléphonant au numéro sans frais suivant : 800-442-1902.
www.americanstandard.com

Au Canada :

AS Canada, ULC
5900 Avebury Rd.
Mississauga (Ontario)
Canada L5R 3M3
Sans frais : 800-387-0369
www.americanstandard.ca

Au Mexique :

American Standard B&K Mexico
S. de R.L. de C.V.
Via Morelos #330
Col. Santa Clara
Ecatepec 55540 Edo. Mexico
Sans frais : 01-800-839-1200
www.americanstandard.com.mx