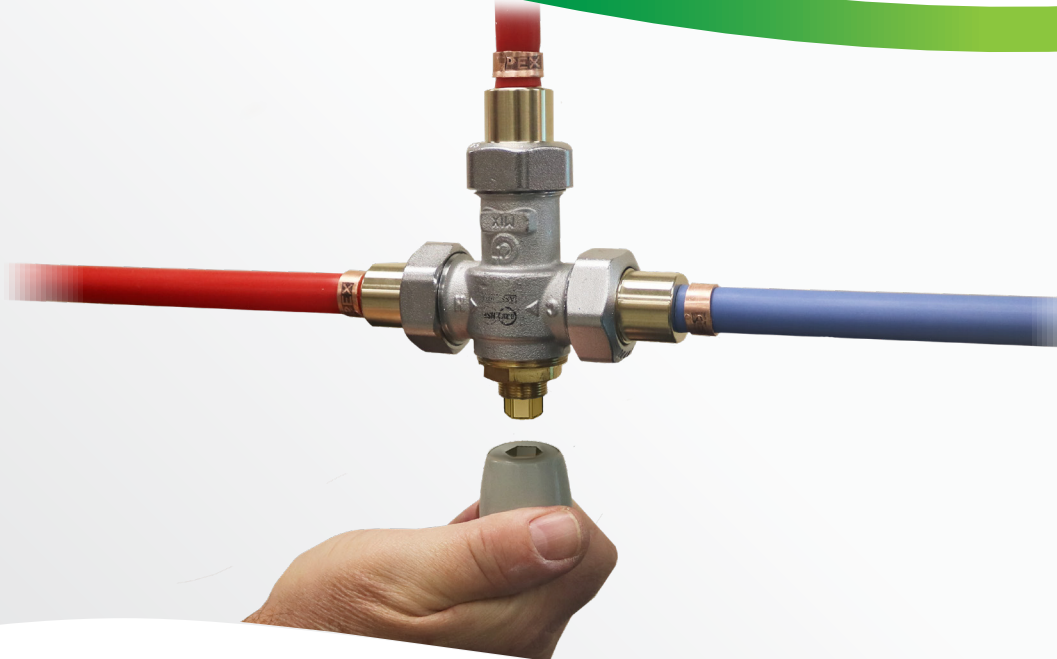




TubMixer™

SCALD PROTECTION THERMOSTATIC MIXING VALVE
5213 SERIES



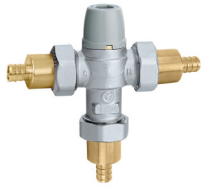
PRODUCT FEATURES

-
- | | |
|---|---|
| <p>■ Fast filling: 9 GPM max flow rating fills standard bathtub in 3 to 4 minutes.</p> | <p>■ Guards against thermal shock: Fast acting cartridge closes inlet ports quickly in the event of failure of cold or hot water supply.</p> |
|---|---|
-
- | | |
|---|---|
| <p>■ Resists limescale: Working parts are constructed of low friction, anti-scale materials to ensure long life.</p> | <p>■ Exclusive “quick-snap” anti-tamper cap: Dual purpose cap: 1) top serves as wrench to set temperature, 2) snap onto body to prevent set point tampering.</p> |
|---|---|
-
- | | |
|---|--|
| <p>■ Stable temperature at low flow: Rated for accurate temperature control down to 0.5 GPM for today’s low flow fixtures.</p> | <p>■ Proven reliable: Reliability assured with tens of thousands installed over two decades throughout North America.</p> |
|---|--|
-

Ease of commissioning and fixture temperature consistency

The Caleffi TubMixer™ thermostatic mixing valve is precision engineered for long-lasting delivery of ASSE 1070 compliant and stable water temperature. Enjoy a standard bathtub fill in under four minutes. The versatile 0.5 to 9.0 GPM flow rating meets the requirements of both low-flow sink fixtures as well as high-flow Roman tubs. The fast-acting internal cartridge guards against thermal shock by closing the inlet ports due to failures in the cold or hot water supply. Reliability assured with tens of thousands installed over two decades throughout North America.

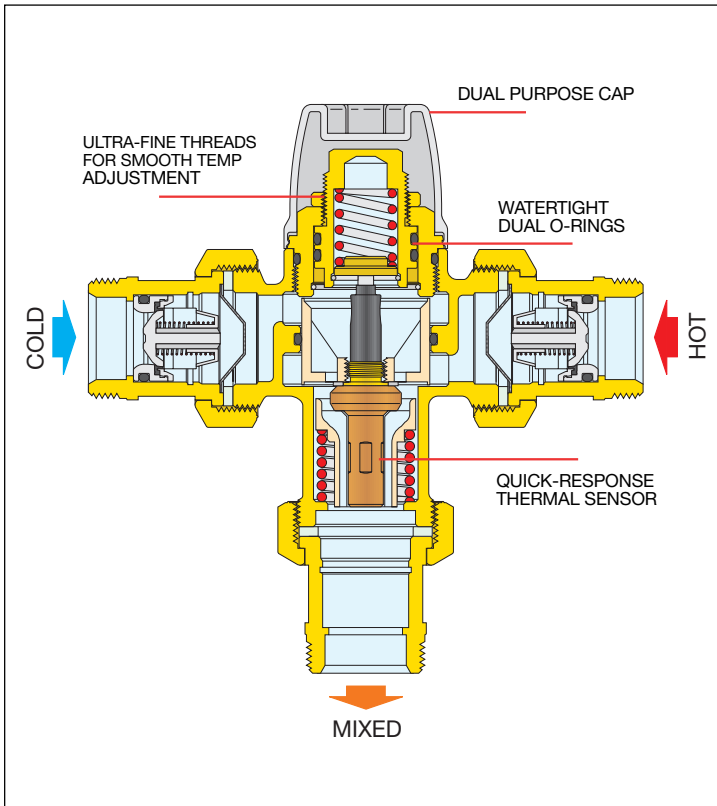
PRODUCT RANGE - TubMixer™ 5213 Series



| CODE | SIZE | FITING |
|----------|------|-------------------------------|
| 521333A | 3/8" | compression union |
| 521347A | 1/2" | PEX crimp union |
| 521348A | 1/2" | PEX expansion union |
| 521342A | 1/2" | NPT male union |
| 521349A | 1/2" | sweat union |
| 521357A | 3/4" | PEX crimp union |
| 521358A | 3/4" | PEX expansion union |
| 521352A | 3/4" | NPT male union |
| 521359A | 3/4" | sweat union |
| 521367A | 1" | PEX crimp union |
| 521368A | 1" | PEX expansion union |
| 521362A | 1" | NPT male union |
| 521369A | 1" | sweat union |
| 521301A* | | Replacement body, no fittings |



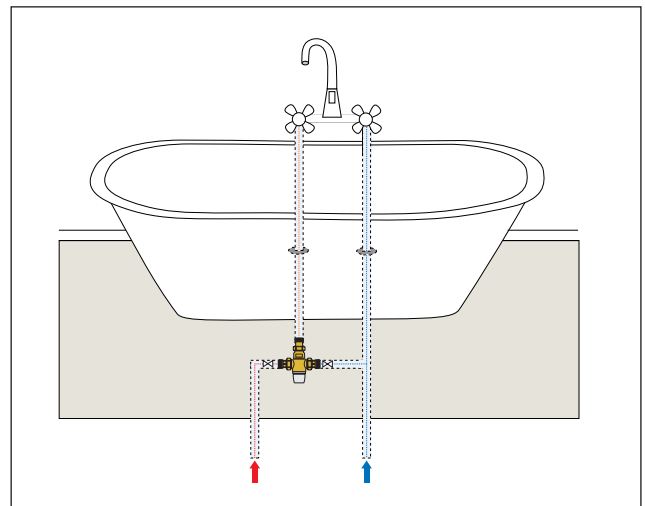
SECTION VIEW



PERFORMANCE

| | |
|---------------|------------|
| MAX PRESSURE | 150 psi |
| SETTING RANGE | 85 – 120°F |
| MIN. FLOW | 0.5 gpm |
| MAX. FLOW | 9 gpm |
| CV | 2 |

APPLICATION DIAGRAM



03661-22 NA

Caleffi Partner:

WE RESERVE THE RIGHT TO CHANGE OUR PRODUCTS AND THEIR RELEVANT TECHNICAL DATA CONTAINED IN THIS PUBLICATION AT ANY TIME AND WITHOUT PRIOR NOTICE.



Caleffi North America, Inc.
 sales@caleffi.com · www.caleffi.com
 © Copyright 2022 Caleffi North America, Inc.