



PresCal™ COMPACT PRESSURE REDUCING VALVES 533H SERIES



PRODUCT FEATURES

■ Most recognized PRV in the world

Millions installed in over 60 countries around the world.

■ Removable self-contained cartridge with stainless steel mesh filter:

Maximum debris protection and convenient in-pipe cleaning or replacement.

■ Precision engineered:

- Low-lead DZR “Ecobrass” alloy forging resists corrosion from hard water, chlorine and oxygen.
- Low friction, high-performance moving parts for stable, accurate pressure control. Results in excellent falloff performance and quiet operation.
- Peroxide-cured EPDM elastomers for chloramine resistance and long life.

■ Installation flexibility:

Variety of inlet union connections: Sweat, NPT, Press, PEX crimp and PEX expansion.

■ Tamper-resistant cap:

Black tamper-resistant cap is included to prevent unauthorized set point adjustments.

■ Hot water boost system compatible:

Rated to 180°F. Certified to NSF 61, ASSE 1003, CSA B356 and NSF 372.

High value accurate control

The Caleffi PresCal™ 533H compact pressure reducing valve is precision engineered to deliver accurate pressure regulation at a competitive price. Low internal pressure losses produce excellent falloff performance enabling more flow capacity to fixtures. NSF 61 certification to 180°F temperature, anti-scale components and a variety of inlet connection styles add to the high value of the most recognized PRV in the world.

PRODUCT RANGE - PresCal™ 533H Series



ASSE 1003 NSF 61

INLET CONNECTION STYLE*	OUTLET TEMP GAUGE	CODE	
		SIZE	
		½ inch	¾ inch
SWEAT		533940HA	533950HA
	✓	533941HA	533951HA
NPT female		533340HA	533350HA
	✓	533341HA	533351HA
PRESS		----	533650HA
	✓	----	533651HA
PEX Crimp (ASTM F 1807)		----	533750HA
	✓	----	533751HA
PEX Expansion (ASTM F 1960)	--	----	533850HA
	✓	----	533851HA

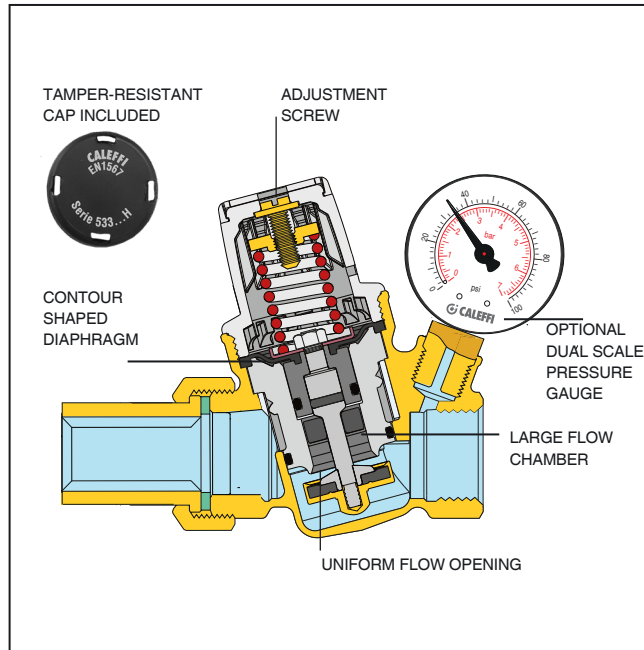
*Outlet connection style: NPT female



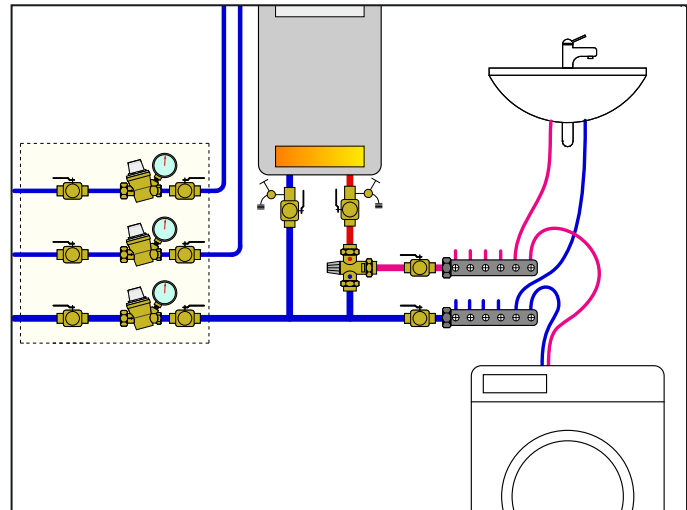
PERFORMANCE

MAX. WORKING PRESSURE	250 psi (17.25 bar)
SETTING PRESSURE RANGE	15 — 80 psi (1.0-5.5 bar)
FACTORY SETTING	45 psi (3 bar)
MAX. WORKING TEMPERATURE	180°F (80°C)

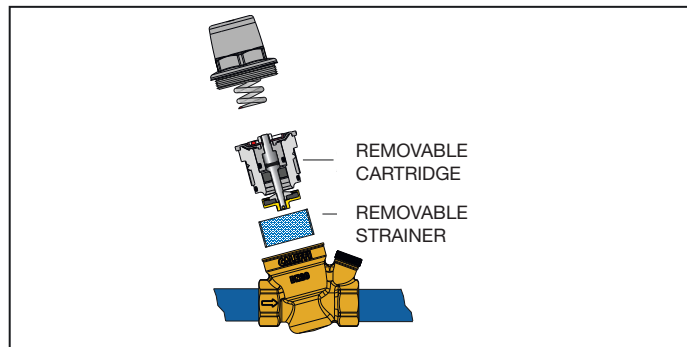
SECTION VIEW



APPLICATION DIAGRAM



MAINTENANCE



Caleffi Partner:

WE RESERVE THE RIGHT TO CHANGE OUR PRODUCTS AND THEIR RELEVANT TECHNICAL DATA CONTAINED IN THIS PUBLICATION AT ANY TIME AND WITHOUT PRIOR NOTICE.



Caleffi North America, Inc.
sales@caleffi.com · www.caleffi.com
© Copyright 2022 Caleffi North America, Inc.