



AutoFill™ pre-adjustable automatic filling valve

553 series

Submittal Data 02950 NA — Issue Date 08/2015

Application

The automatic filling valve is a device consisting of a pressure reducing valve with compensating seat, visual system pressure setting indicator, an inlet filter, anti-scale internal parts, a shut-off valve (round knob on bottom) and a check valve. It is installed on the water inlet piping in sealed heating systems, and its main function is to maintain the pressure of the system at a set value, automatically filling up with water as required. The valve is pre-adjustable, meaning it can be set to the desired pressure value before the system charging phase. After installation, during the filling or topping-off phase, the water feed will stop when the set pressure is reached. This valve fills 50% faster than other valves. There are no levers to flip or valve to close.

Typical Specification

Furnish and install on the plans and described herein, a Caleffi AutoFill™ pre-adjustable automatic filling valve as manufactured by Caleffi. Each valve must be designed with a visual system pressure setting indicator. The filling valve design must include a brass body, nylon plastic cover, sliding surfaces in anti-scale plastic, diaphragm and seals in NBR and removable cartridge for maintenance operations. The filling valve must have a pressure indicator for pre-adjustment of device, accuracy ±2 psi (±0.15 bar). Complete with isolating valve and filter. Integral downstream pressure gauge (0-60 psi/0-4 bar) for codes 553642A and 553649A. (See product instructions for specific installation information.)

Technical Data

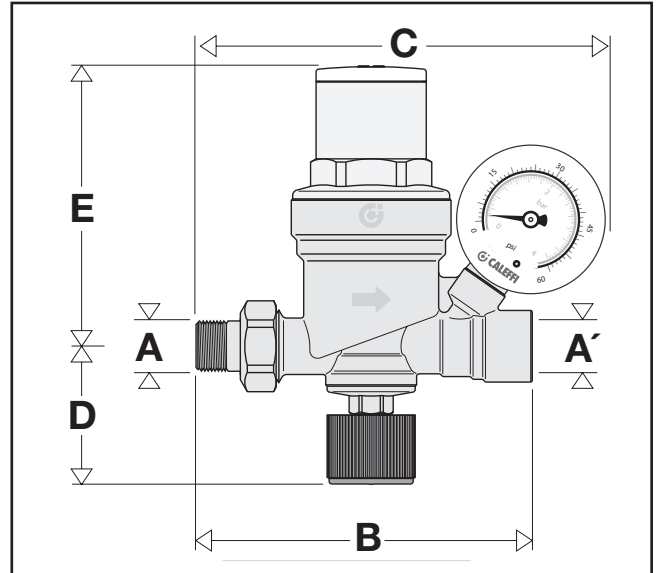
Materials - body: brass
 - cover: PA 66 GF 30
 - seals: NBR

Performance

Suitable fluids: water, glycol solution
 Max. percentage of glycol: 50%
 Max. working pressure: 230 psi (16 bar)
 Pressure setting range: 3-60 psi (0.2-4 bar)
 Factory setting: 15 psi (1.035 bar)
 Indicator accuracy: ±2 psi (± 0.15 bar)
 Max. working temperature: 150°F (65°C)
 Pressure gauge scale: 0-60 psi / 0-4 bar

Connections - 553542A 1/2" NPT male inlet x 1/2" NPT female outlet
 - 553549A 1/2" sweat inlet x 1/2" NPT female outlet
 - 553642A 1/2" NPT male inlet x 1/2" NPT female outlet
 - 553649A 1/2" sweat inlet x 1/2" NPT female outlet
 - Pressure gauge 1/4" NPT

Dimensions



Code	A	A'	B	C	D	E
553542A	1/2" NPT	1/2" NPT	4 3/4"	—	1 15/16"	4"
553549A	1/2" SWT	1/2" NPT	4 3/4"	—	1 15/16"	4"
553642A	1/2" NPT	1/2" NPT	4 3/4"	5 3/4"	1 15/16"	4"
553649A	1/2" SWT	1/2" NPT	4 3/4"	5 3/4"	1 15/16"	4"

We reserve the right to change our products and their relevant technical data, contained in this publication, at any time and without prior notice. Contractors should request production drawings if prefabricating the system.

Job name _____
 Job location _____
 Engineer _____
 Mechanical contractor _____
 Contractor's P.O. No. _____
 Representative _____

Size _____
 Quantity _____
 Approval _____
 Service _____
 Tag No. _____
 Notes _____