

Z-one™ zone valves



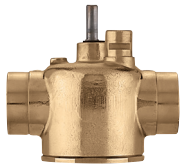
01115/21 NA

Replaces 01115/20 NA

Z series









Function



Z-one™ valves are used to automatically shut-off the flow or redirect hot and chilled water in hydronic systems, open systems, closed systems, low-pressure steam; and are UL listed for plenum installations. The motorized two-position, on/off, spring return Z1 series actuator has an end mounted push button for quick installation to the valve body. The actuator is equipped with or without an auxiliary micro-switch and models are either normally closed or normally open and with wire or terminal connections. The high temperature zone valve body Z2 series is 2-way straight through and the valve body Z3 series is 3-way diverting or mixing. The Z1 series actuator is easily attached by a push button lock and requires no tools. The Z-one valve provides 100% bubble-tight seat close-off leakage. The high temperature and high close-off performance characteristics of these zone valves, combined with the compact size, makes them suitable to fit inside baseboards or directly in fan coil units. Z-one valves are available with 1/2 to 1 inch press fittings, a copper tail-piece with union nut, making installation and maintenance fast, easy and efficient. Special slots in the EPDM O-ring allows fluid to leak during system testing if unpressed and provide a perfect leak proof seal when completely pressed. Some models are low-lead brass, for domestic hot water applications.

Quick Order Code Numbers: 24VAC Normally Closed Actuator and 2-way Valve Body Combinations

	Code	Description	Connection	
 Z45	Z40	Z111000 with auxiliary switch, 18 inch wire connection + Z200043 flare body + NA61241 retrofit kit	Inverted	
	Z40F	Z111000 with auxiliary switch, 18 inch wire connection + Z200043 flare body + two NA10006 adapters	sweat 3/4"	
	Z42	Z111000 with auxiliary switch, 18 inch wire connection + Z200053 flare body	1/2" SAE	
	Z44	Z111000 with auxiliary switch, 18 inch wire connection + Z200432 sweat body	1/2"	
	Z44P	Z111000 with auxiliary switch, 18 inch wire connection + Z200687 male union body + two NA16264 press fittings	1/2"	
	Z45	Z111000 with auxiliary switch, 18 inch wire connection + Z200537 sweat body	3/4"	
	Z45P	Z111000 with auxiliary switch, 18 inch wire connection + Z200687 male union body + two NA16265 press fittings	3/4"	
	Z45PL*	Z111000 with auxiliary switch, 18 inch wire connection + Z200687 male union body + one NA16265L press fitting + one NA16265 press fitting	3/4"	
	 Z55	Z46	Z111000 with auxiliary switch, 18 inch wire connection + Z200637 sweat body	1"
		Z46P	Z111000 with auxiliary switch, 18 inch wire connection + Z200687 male union body + two NA16266 press fittings	1"
Z47		Z111000 with auxiliary switch, 18 inch wire connection + Z200737 sweat body	1 1/4"	
 Z55P		Z50	Z151000 with auxiliary switch, screw terminal connection + Z200043 flare body + NA61241 retrofit kit	Inverted
		Z50F	Z151000 with auxiliary switch, screw terminal connection + Z200043 flare body + two NA10006 adapters	sweat 3/4"
		Z54	Z151000 with auxiliary switch, screw terminal connection + Z200432 sweat body	1/2"
		Z54P	Z151000 with auxiliary switch, screw terminal connection + Z200687 male union body + two NA16264 press fittings	1/2"
	Z55	Z151000 with auxiliary switch, screw terminal connection + Z200537 sweat body	3/4"	
Z55P	Z151000 with auxiliary switch, screw terminal connection + Z300687 male union body + two NA16265 press fittings	3/4"		
Z55PL*	Z151000 with auxiliary switch, screw terminal connection + Z300687 male union body + one NA16265L press fitting + one NA16265 press fitting	3/4"		
 Z55S	Z55S	Z151000 with auxiliary switch, screw terminal connection + Z300687 male union body + two NA10003 sweat fittings	3/4"	
	Z56	Z151000 with auxiliary switch, screw terminal connection + Z200637 sweat body	1"	
	Z56P	Z151000 with auxiliary switch, screw terminal connection + Z200687 male union body + two NA16266 press fittings	1"	
	Z57	Z151000 with auxiliary switch, screw terminal connection + Z200737 sweat body	1 1/4"	
	 NA10005 NA10006 NA10007  NA16241 NA16264* NA16265* NA16265L** NA16266*	NA10005	Inverted flare nut with attached copper sweat tail piece	1/2"
NA10006		Inverted flare nut with attached copper sweat tail piece	3/4"	
NA10007		Inverted flare nut with attached copper sweat tail piece	1"	
NA16241		Inverted flare extension adapter to retrofit body into an old style asymmetrical zone valve opening	Inverted	
NA16264*		Copper press tail piece with 1" brass union nut	1/2"	
NA16265*		Copper press tail piece with 1" brass union nut	3/4"	
NA16265L**	Extra long copper press tail piece with 1" brass union nut, for retrofit	3/4"		
NA16266*	Copper press tail piece with 1" brass union nut	1"		

* Valve bodies field assembled with press tailpieces are rated to 200 psi (13 bar) maximum static pressure.

**Models with "L" suffix have one long tailpiece on outlet to provide extra long lay length for retrofit convenience.

Technical specification

Valve body

Material:	- body:	forged brass (optional low-lead brass)
	- seat:	machined brass
	- stem:	stainless steel
	- two o-ring seals and paddle:	EPDM
Flow:		1.0, 2.5, 3.5, 5.0, 7.5 Cv
Suitable fluids:		water and glycol, low pressure steam
Maximum percent of glycol:		50%
Temperature range:		32 to 240° F (0 to 115° C)
Max. static pressure:		15 psi (1 bar) steam 300 psi (20 bar)
		200 psi (13 bar) max. for press models
Max. close-off Δ pressure:		20 to 75 psid (138 to 517 kPa)
Close-off seat leakage:		100% bubble-tight
Connection:	- sweat:	½", ¾" 1" & 1 ¼"
	- press:	½", ¾" & 1"
	- NPT female:	½", ¾" & 1"
	- SAE flare:	½"
	- inverted flare:	½", ¾" & 1" sweat, fittings separate
Lay length (press connections):		size ½ inch: 3 ½" size ¾ inch: 3 5/8" size ¾ inch (PL)*: 5" size 1 inch: 4 1/8"

Complies with NSF/ANSI 372, Drinking Water System Components-Lead Content Reduction of Lead in Drinking Water Act, California Health and Safety Code 116875 S.3874, Reduction of Lead in Drinking Water Act, as certified by ICC-ES, file PMG-1360.

Actuator

Material:	- base and cover:	polycarbonate
	- base plate:	aluminum
Motor:	- AC voltage:	24 V - 120 V; 50/60 Hz
Power requirements:		5.0 W, 7 VA
Power connections:	- Terminal screws with auxiliary switch:	24 V only
	- Wire lead length:	18" (45 cm), 24 V only 6" (15 cm), 120 V
Auxiliary micro-switch:		0.0 A min, 0.4 A max, 24 V (24V, except Z11900, actuators only) 0.25 A min, 5.0 A max, 230 V (120 V & Z11900 actuators)
Ambient temperature range:		32 to 104°F (0 to 40°C) 120 V actuators with micro-switch 32 to 125 °F (0 to 50°C) all models 24 V actuators 32 to 170°F (0 to 77°C) 120 V without micro-switch
Humidity:		95% non-condensing
Full Stroke Time:	- On:	<60 seconds
	- Off:	6 seconds
Approvals:		UL873, cUL Listed & CE UL 1995 sec. 18 approved for air plenum and ducts.
Environmental:		Indoor only
		Power to Normally Open Actuators should be turned off during extended idle periods.

Z-one Normally Closed Valve Actuators

Code	Description
Z111000	24V with auxiliary micro-switch 18" wire
Z119000	24V, high current switch, 18" wire
Z116000	120V with auxiliary micro-switch 6" wire
Z151000	24V w/auxiliary micro-switch terminal block
Z161000	24V w/o auxiliary micro-switch terminal block
Z121000	24V without auxiliary micro-switch 18" wire
Z126000	120V without auxiliary micro-switch 6" wire

Z-one Normally Open Valve Actuators

Code	Description
Z131000	24V with auxiliary micro-switch 18" wire
Z136000	120V with auxiliary micro-switch 6" wire
Z141000	24V without auxiliary micro-switch 18" wire
Z146000	120V without auxiliary micro-switch 6" wire

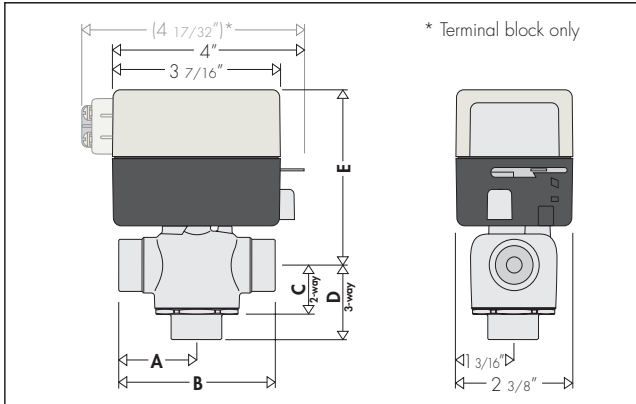
Z-one 2-way Valve Bodies

Code	Description	Cv	ΔP
Z200041	Inverted flare	1.0	75 psi
Z200042	Inverted flare	2.5	50 psi
Z200043	Inverted flare	3.5	30 psi
Z200053	1/2" SAE flare	3.5	30 psi
Z200411	1/2" NPT	1.0	75 psi
Z207411	1/2" NPT low-lead brass	1.0	75 psi
Z200412	1/2" NPT	2.5	50 psi
Z200413	1/2" NPT	3.5	30 psi
Z200431	1/2" sweat	1.0	75 psi
Z200432	1/2" sweat	2.5	50 psi
Z207433	1/2" sweat low-lead brass	3.5	30 psi
Z200512	3/4" NPT	2.5	50 psi
Z200513	3/4" NPT	3.5	30 psi
Z200515	3/4" NPT	5.0	25 psi
Z200517	3/4" NPT	7.5	20 psi
Z200532	3/4" sweat	2.5	50 psi
Z207533	3/4" sweat low-lead brass	3.5	30 psi
Z200535	3/4" sweat	5.0	25 psi
Z200537	3/4" sweat	7.5	20 psi
Z207537	3/4" sweat low-lead brass	7.5	20 psi
Z200617	1" NPT	7.5	20 psi
Z200635	1" sweat	5.0	25 psi
Z200637	1" sweat	7.5	20 psi
Z200737	1-1/4" sweat	7.5	20 psi
Z200683	1" male union	3.5	30 psi
Z200687	1" male union	7.5	20 psi

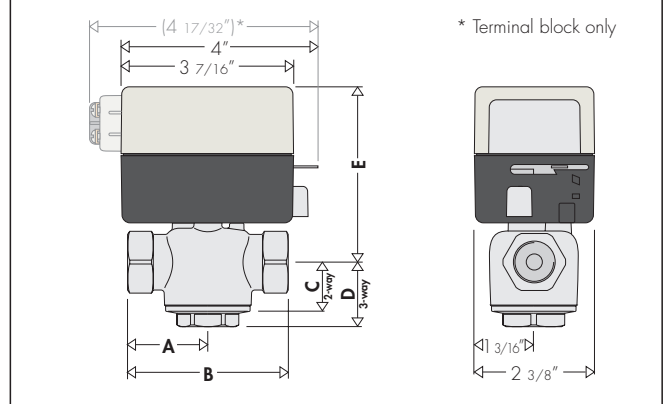
Z-one 3-way Valve Bodies

Code	Description	Cv	ΔP
Z300053	1/2" SAE flare	3.5	30 psi
Z300411	1/2" NPT	1.0	75 psi
Z300412	1/2" NPT	2.5	50 psi
Z300413	1/2" NPT	3.5	30 psi
Z300431	1/2" sweat	1.0	75 psi
Z300432	1/2" sweat	2.5	50 psi
Z307433	1/2" sweat low-lead brass	3.5	30 psi
Z300512	3/4" NPT	2.5	50 psi
Z300513	3/4" NPT	3.5	30 psi
Z300515	3/4" NPT	5.0	25 psi
Z300517	3/4" NPT	7.5	20 psi
Z300532	3/4" sweat	2.5	50 psi
Z300533	3/4" sweat	3.5	30 psi
Z300535	3/4" sweat	5.0	25 psi
Z307537	3/4" sweat low-lead brass	7.5	20 psi
Z300617	1" NPT	7.5	20 psi
Z300635	1" sweat	5.0	25 psi
Z300637	1" sweat	7.5	20 psi
Z300737	1-1/4" sweat	7.5	20 psi
Z300687	1" male union	7.5	20 psi

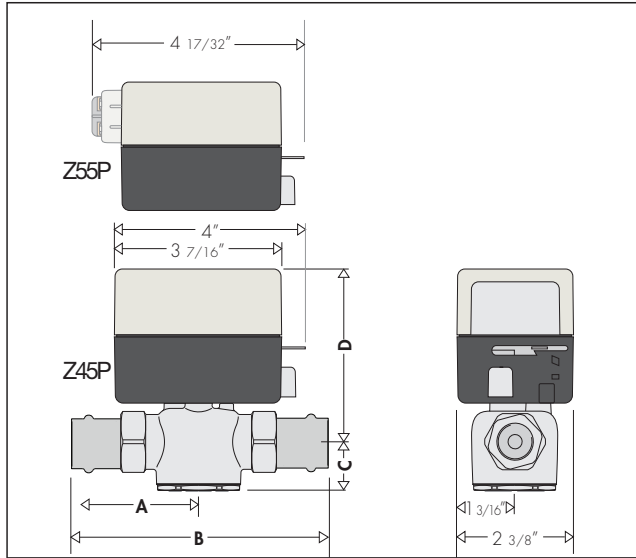
Dimensions



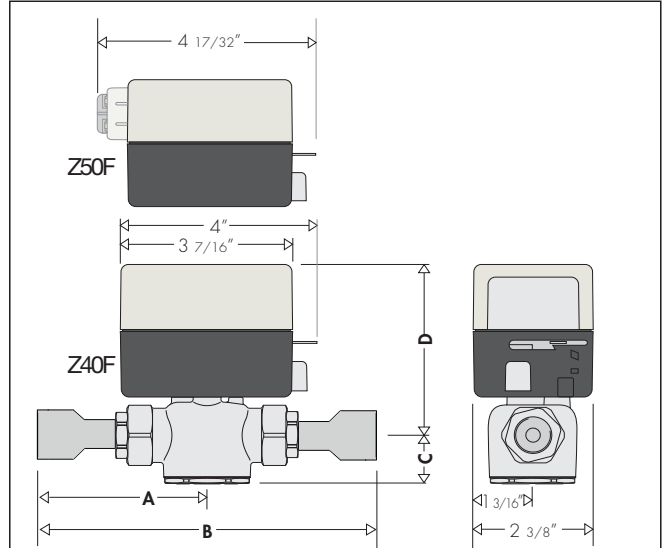
Connections	A	B	C	D	E
½" sweat	1 ⁵ / ₁₆ "	2 ⁵ / ₈ "	1 ⁵ / ₁₆ "	1 ⁵ / ₁₆ "	3½"
¾" sweat	1 ³ / ₈ "	2¾"	1 ⁵ / ₁₆ "	1½"	3½"
1" sweat	1 ¹¹ / ₁₆ "	3 ³ / ₈ "	1 ⁵ / ₁₆ "	1 ⁹ / ₁₆ "	3 ¹¹ / ₁₆ "
1¼" sweat	1 ¹³ / ₁₆ "	3 ⁵ / ₈ "	1 ⁵ / ₁₆ "	1 ¹¹ / ₁₆ "	3 ¹¹ / ₁₆ "



Connections	A	B	C	D	E
½" NPT	1 ⁷ / ₁₆ "	2 ⁷ / ₈ "	1 ⁵ / ₁₆ "	1¼"	3½"
¾" NPT	1 ⁹ / ₁₆ "	3 ¹ / ₁₆ "	1 ⁵ / ₁₆ "	1¼"	3 ¹¹ / ₁₆ "
1" NPT	1 ¹³ / ₁₆ "	3 ⁵ / ₈ "	1 ⁵ / ₁₆ "	1 ¹¹ / ₁₆ "	3 ¹¹ / ₁₆ "
inverted flare	1 ³ / ₈ "	2¾"	1 ⁵ / ₁₆ "	1¼"	3½"
w/ adapter (NA61241)	1 ³ / ₈ "	3½"	1 ⁵ / ₁₆ "	1¼"	3½"

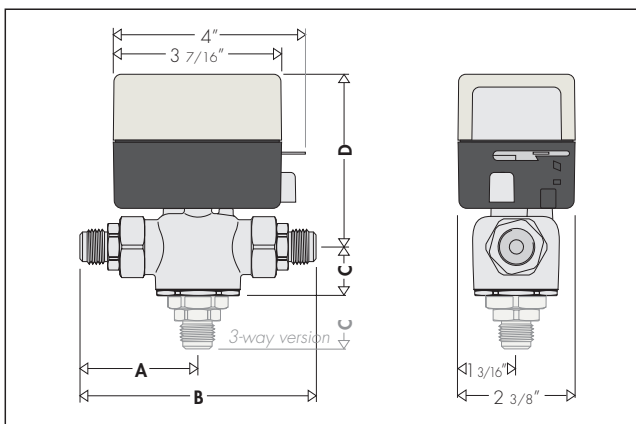


Connections	A	B	C	D
½" press	2½"	5"	1 ⁵ / ₁₆ "	3½"
¾" press	2 ¹³ / ₁₆ "	5 ⁵ / ₈ "	1 ⁵ / ₁₆ "	3½"
¾" press extra long	2 ¹³ / ₁₆ "	7"	1 ⁵ / ₁₆ "	3½"
1" press	2 ¹⁵ / ₁₆ "	5 ⁷ / ₈ "	1 ⁵ / ₁₆ "	3½"



Connections	A	B	C	D
Z40/50F ½" sweat	2 ⁷ / ₈ "	5¾"	1 ⁵ / ₁₆ "	3½"
Z40/50F ¾" sweat	3 ⁵ / ₁₆ "	6 ⁵ / ₈ "	1 ⁵ / ₁₆ "	3½"
Z40/50F 1" sweat	3 ⁵ / ₈ "	6¾"	1 ⁵ / ₁₆ "	3½"

*Inverted flare bodies (7/8" UNS female threads) with 2 attached copper sweat tailpieces:
 ½" = Z20004X + (2) NA10005 field assembled
 ¾" = Z20004Z + (2) NA10006, Z40F or Z50F Quick Order Codes
 1" = Z20004X + (2) NA10007 field assembled



Connections	A	B	C	D
2-way ½" SAE flare	2 ¹¹ / ₃₂ "	4 ¹¹ / ₁₆ "	1 ⁵ / ₁₆ "	3½"
3-way ½" SAE flare	2 ¹¹ / ₃₂ "	4 ¹¹ / ₁₆ "	2 ¹ / ₈ "	3½"

Operating principle

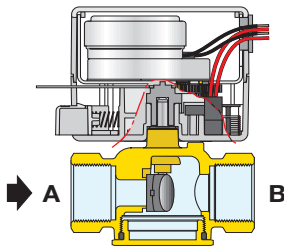
The Z-one actuator has a synchronous motor that winds the return spring and moves the valve paddle to the desired position. When power is removed the actuator spring returns the valve paddle. The Zone actuator is equipped with or without auxiliary micro-switch.

Operation of normally closed valve

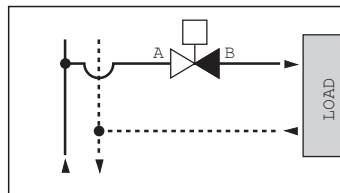
	2-way	3-way
N.C. without power	Port "A" closed	Port "A" closed Port "B" open Port "AB" open
N.C. opened with power	Port "A" open	Port "A" open Port "B" closed Port "AB" open
N.C. manually opened	Port "A" open	Port "A" open Port "B" open Port "AB" open

2-way

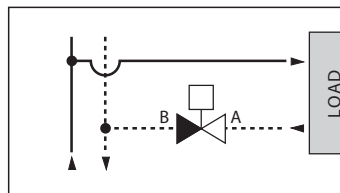
(with the power off, passage A is closed, when using a normally closed actuator)



2-way installed on the flow side

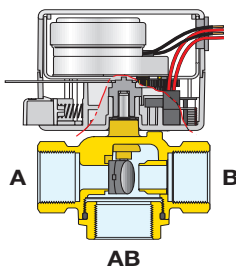


2-way installed on the return side

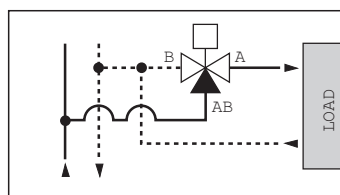


3-way

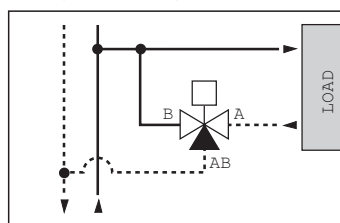
(with the power off, passage A is closed)



3-way installed on the flow side as a diverting valve configuration



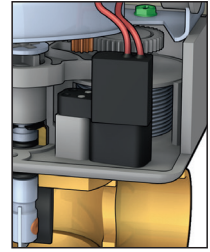
3-way installed on the return side as a mixing valve configuration



Construction details

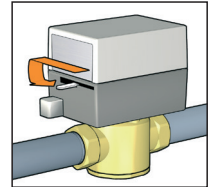
• Auxiliary micro-switch

The actuator contains an auxiliary micro-switch to operate other devices. The 24 V actuators use a sealed reed switch, which has been produced specifically for use with relays, boiler contacts (TT) and DDC systems. It requires no minimum current load. The 120 V to 277 V actuators use a conventional micro-switch with silver contacts. The auxiliary micro-switch is activated when the valve is 60% open or when the actuator is manually opened.



• Manual opening (Normally closed actuator only)

Use the manual opening lever to open the valve. When the power is restored the manual control is automatically overridden. The auxiliary micro-switch in 24 V actuators is tripped when the unit is put into manual open position. This helps during start up to check if the wiring is correct without firing the valve electrically with the thermostat. Note: The manual open lever travels through nearly all of the actuator stroke, providing a good indicator of the valve's position.



• Easy push button

A simple push of the button makes it easy to remove the actuator from the body of the valve for maintenance or replacement operations. Warning: the actuator can only be used with valve bodies Z2-Z3 series.

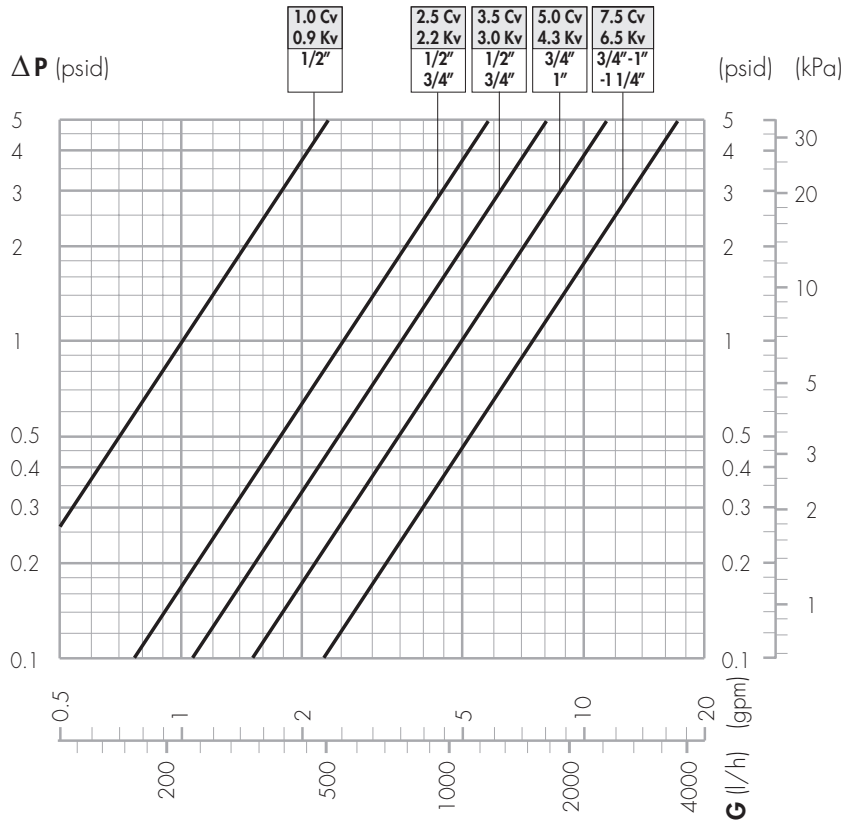
• Operation

The actuator uses a special mechanism for gradual movement of the valve paddle which provides smooth and quiet constant operation. Power-on full stroke run time is 60 seconds with 6 second power-off return time eliminating the effects of water hammer.

• Innovative motion

When power is delivered to the actuator, the motor drives a series of gears against a pre-wound torsion spring until it reaches its fully stroked position. When power is dropped to the actuator, the torsion spring back drives the motor and gear train until the unit returns to its normal position. A lost motion mechanism disengages the motor from the gear train at the end of stroke to prevent the impact that would occur in directly coupled gears. This allows the Z-one actuator to have high spring force resulting in higher close-off pressures without compromising motor and gear longevity.

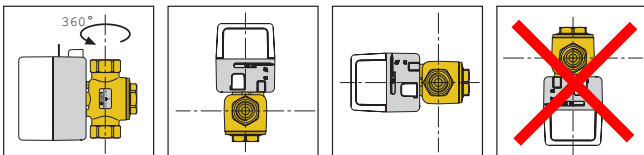
Hydraulic characteristics



Connection size	Flow coefficient	Max. Close-off ΔP
1/2"	1.0 Cv (0.9 Kv)	75 psi (517 kPa)
1/2" - 3/4"	2.5 Cv (2.2 Kv)	50 psi (345 kPa)
1/2" - 3/4"	3.5 Cv (3.0 Kv)	30 psi (207 kPa)
3/4" - 1"	5.0 Cv (4.3 Kv)	25 psi (172 kPa)
3/4" - 1" - 1 1/4"	7.5 Cv (6.5 Kv)	20 psi (138 kPa)

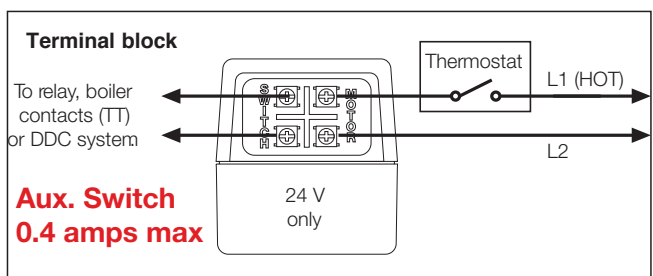
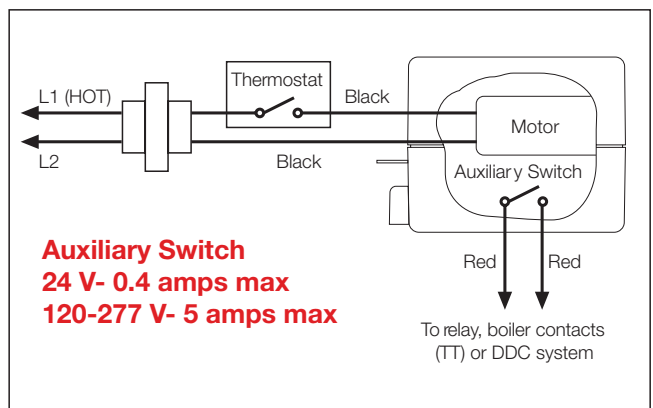
Installation

- The valve can be installed either vertically or horizontally, with the actuator in any position, **except upside down**.



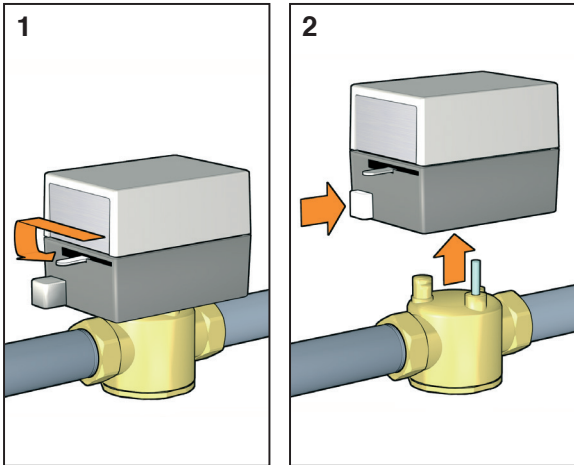
- If it is installed inside an enclosure it is important to ensure that there is adequate ventilation inside the enclosure itself.
- The three-way valve cannot be transformed into a two-way valve and vice versa.
- When zone valves are installed, the direction of flow must be observed.
- Two-way zone valves can be installed either in the supply or return piping; the direction of flow indicated by the arrow on the body of the valve must be observed.
- Three-way zone valves use the normally closed actuator only (rotate 180° the valve body for normally open application).

Wiring diagram



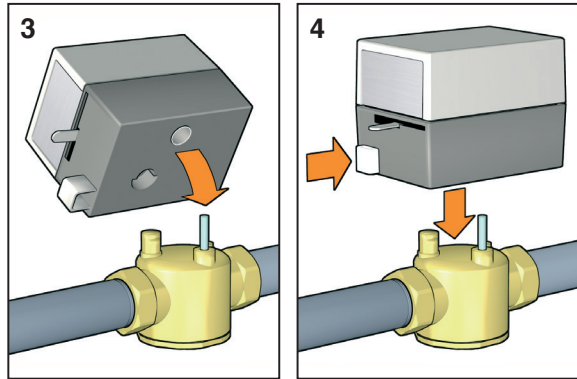
Remove the actuator

1. Move the manual open lever to the lock open position.
2. Press the push button in and pull the actuator up.



Install the actuator

1. Move the manual open lever to the lock open position.
3. Verify the correct position of the valve stem into the mating actuator hole. Move stem if required to align.
4. Press the push button in and slide the actuator onto the valve body, release the push button.



Repair parts and accessories



Two-way and three-way zone valve body repair kit. Includes valve stem paddle with O-rings, C clip and one bottom cap O-ring.

Code	Description
F69293	Repair kit for all 1/2" & 3/4" sweat Z2, Z3 valves
F69294	Repair kit for 3/4" NPT and all 1" Z2, Z3 valves

NOTES

SPECIFICATION SUMMARY

The Z-one series two-position spring return with removable actuator zone valve. Z1 series actuator is normally closed (NC) or normally open (NO) 24 V to 120 V 50/60 Hz, 5 W, 7 VA, with or without auxiliary micro-switch {(24 V: 0.0 min, 0.4A max, 24 V) (120 V: 0.25A min, 5.0A max, 230 V)}, Auxiliary micro-switch for 24 V actuator is a sealed reed switch requiring no minimum current load, includes leads or terminal block (24 V only); Lost motion transmission disengagement actuation mechanism; Quick-connect actuator-to-valve body assembly (no fastener); ambient temperature from 32 to 104 deg F (0 to 40 deg C) for 120 V actuators with micro-switch; 32 to 125 deg F (0 to 50 deg C) for 24 V actuators; 32 to 170 deg F (0 to 77 deg C) for 120 V actuators without micro-switch. Z2 (2-way) series and Z3 (3-way) series are forged brass (2-way and 3-way 1/2" and 3/4" sweat valve bodies pn Z207411, Z207433, Z307433, Z207533, Z207537 and Z307537 are low-lead brass [$<0.25\%$ lead content] and complies with NSF/ANSI 372, low lead, as certified by ICC-ES, file PMG-1360). Valve body rated at 300 psi (20 bar), 15 psi (1 bar) steam, except models field assembled with optional press tailpieces rated at 200 psi (13 bar) maximum. Temperature rated 32 to 240 deg F (0 to 115 deg C). Valve stem stainless steel, peroxide-cured EPDM seals, flows: 1.0, 2.5, 3.5, 5.0 or 7.5 Cv. Close-off seat leakage: 100% bubble-tight. Connections and sizes: 1/2", 3/4", 1" and 1 1/4" sweat or 1/2", 3/4" and 1" NPT female threads, 1/2" SAE flare, inverted flare, 1" straight male threaded union, and 1/2", 3/4" and 1" press, PEX crimp or PEX expansion end connections with unions. Actuator approved to UL 873, cUL listed and CE, and UL 1995 section 18 air plenum and ducts rating. US Patent 7,048,251.

We reserve the right to change our products and their relevant technical data, contained in this publication, at any time and without prior notice.



Caleffi North America, Inc.
3883 W. Milwaukee Road
Milwaukee, WI 53208
Tel: 414-238-2360 · Fax: 414-238-2366
sales@caleffi.com · www.caleffi.com
© Copyright 2021 Caleffi North America, Inc.