



# SinkMixer™

## SCALD PROTECTION THERMOSTATIC MIXING VALVE

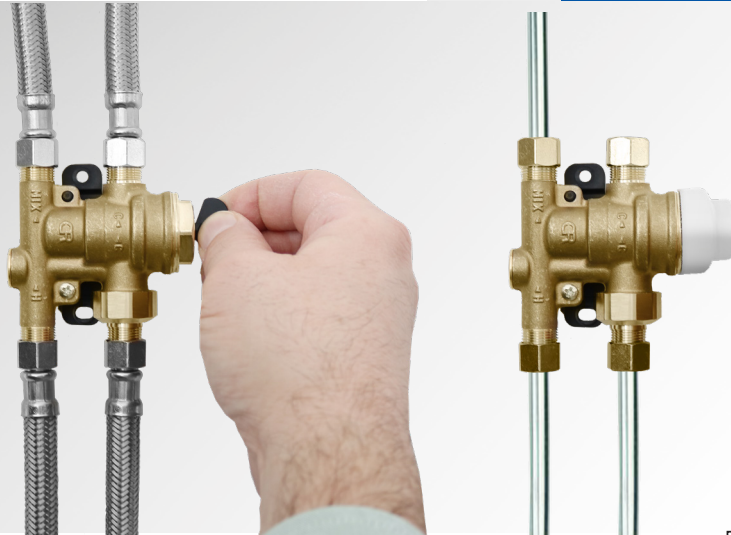
# CALEFFI

Hydronic Solutions



Plumbing

Protecting the system to protect your water



NSF/ANSI/CAN 61  
ICC-ES certified

## PRODUCT FEATURES

### ■ Convenient 4-port design for undersink mounting:

Cold water bypass to fixture eliminates need for additional piping and tee used with 3-port mixing valves.

### ■ Precision engineering:

- DZR low-lead brass forging resists corrosion. Patent pending design.
- Low friction, high-performance moving parts resist scaling for stable, accurate temperature control.
- Peroxide-cured EPDM elastomers for chlorine and chloramine resistance and long life.

### ■ Easy installation and service:

Stand-off wall bracket for sturdy mounting and simple hose connection. Cold water outlet plug and compression fittings included in code 521210AP for single-pipe fixtures or hard piping.

### ■ Replaceable inlet check valves with stainless steel mesh filters:

Maximum debris protection and convenient cleaning or replacement.

### ■ Tamper-resistant locking nut and cap:

Prevent unauthorized set point adjustments.

## High performance; easy-to-install

The Caleffi SinkMixer™ 5212 scald protection undersink thermostatic mixing valve is precision engineered to deliver safe tempered water. Patent pending forged low-lead brass valve body enables high flow capacity in a very compact body. The easy-to-install 4-port design connects all water lines and, compared to standard 3-port valves, requires less piping and no tee. ICC-ES certified compliance to NSF/ANSI/CAN 61-2019 and IPC, IRC, UPC and NPC for drinking water systems in accordance with the U.S. and Canadian plumbing codes.

PRODUCT RANGE - Scald Protection thermostatic mixing valves, 5212 series

INLET CONNECTION STYLE	CODE
	SIZE
	3/8 inch
COMPRESSION	521201A
COMPRESSION w/ cold water outlet port plug and copper compression fittings kit	521201AP



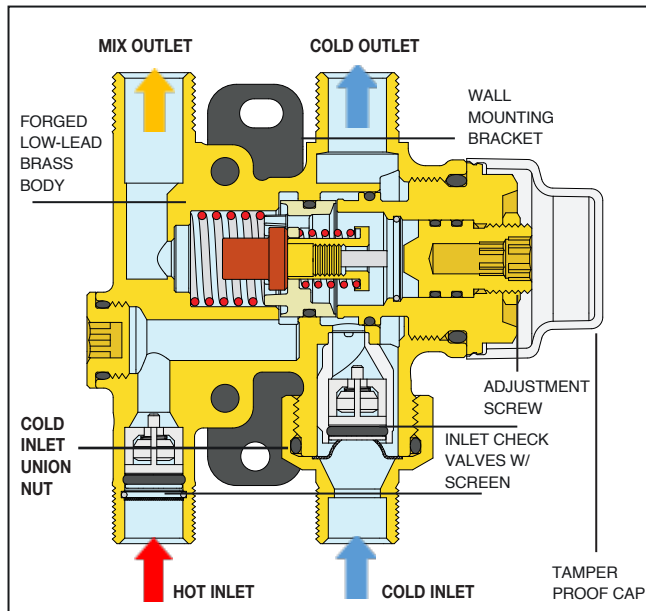
NSF/ANSI/CAN 61

ICC-ES certified

PERFORMANCE

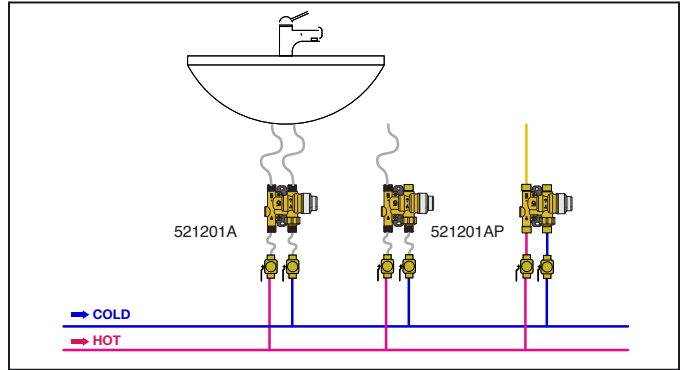
MAX. WORKING PRESSURE	150 psi (10 bar)
SETTING TEMPERATURE RANGE	95 – 120°F (35 – 49°C)
FACTORY SETTING	113°F (45°C)
OPTIMUM MAX. FLOW	2.3 gpm (8.5 lpm)
OPTIMUM MIN. FLOW	0.35 gpm (1.3 lpm)
MAX. WORKING TEMPERATURE	195°F (90°C)

CONSTRUCTION

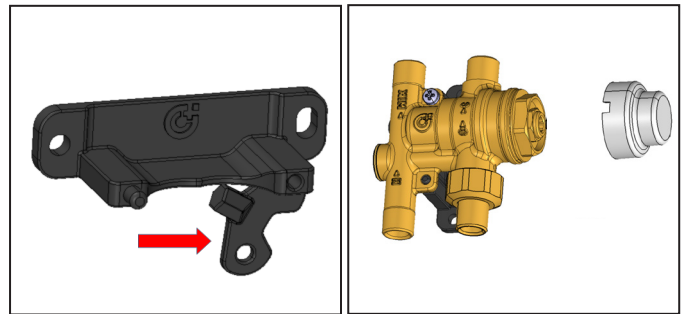


Caleffi Partner:

APPLICATION DIAGRAM

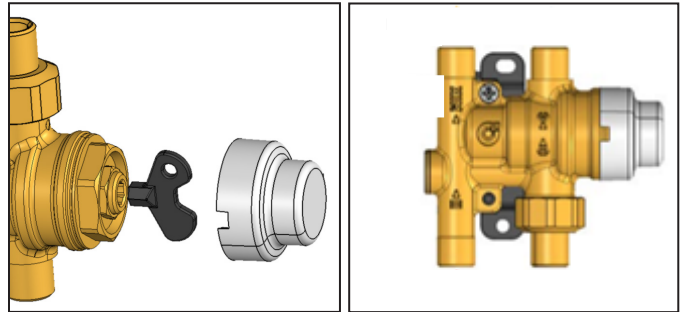


SETTING THE TEMPERATURE



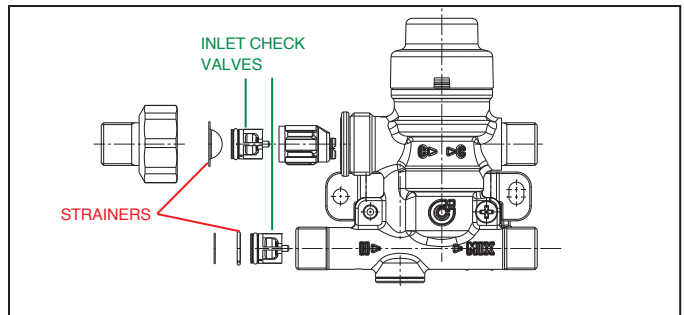
1. Remove 1/4" hex key from mounting bracket.

2. Remove white cap.



3. Adjust temperature setting with 1/4" hex key. After adjustment, lock the temperature with locking nut.

4. Replace tamper proof cap and store key in safe place.



03641-20.4 NA

WE RESERVE THE RIGHT TO CHANGE OUR PRODUCTS AND THEIR RELEVANT TECHNICAL DATA, CONTAINED IN THIS PUBLICATION, AT ANY TIME AND WITHOUT PRIOR NOTICE.

Caleffi North America, Inc.  
sales@caleffi.com · www.caleffi.com  
© Copyright 2020 Caleffi North America, Inc.