

Isolation full-port low-lead ball valve

NA108 series

01396/22.1 NA



Function

The NA108 series low-lead brass full-port ball valves are designed for plumbing or heating applications and can be used for isolating a variety of Caleffi valves with the 1/2" to 2" FNPT connections. The isolation valve easily installs in the inlet and outlet sides of the valve body using a low-lead close nipple. Some products are available pre-assembled with the NA108 series isolation valve. For example, the Caleffi 116 series ThermoSetter™ thermal balancing valve can be ordered complete with two of these ball valves plus low-lead close nipples by adding a suffix "001" to the order code number.

The NA108 series have an extended stem which allows operation if the valve body gets insulated. There is no need to purchase an expensive separate stem extension which then has to be field-installed between the valve body and handle. The valve features a blowout proof stem, PTFE seats, double o-ring stem seals, lead free brass ball and stem, and polyamide thermal plastic T handle.

The NA108 series can be used with other products, such as the Caleffi 130, 142 and 132A series balancing valves, field installed with separately sourced low-lead close nipples.

Product range

NA10824	Isolation ball valve.....	size and connection 1/2" FNPT
NA10825	Isolation ball valve.....	size and connection 3/4" FNPT
NA10826	Isolation ball valve.....	size and connection 1" FNPT
NA10827	Isolation ball valve.....	size and connection 1-1/4" FNPT
NA10828	Isolation ball valve.....	size and connection 1-1/2" FNPT
NA10829	Isolation ball valve.....	size and connection 2" FNPT

Technical specifications

Materials

Valve

Body and end connection:	high tensile strength forged low-lead brass C28500
Ball and stem:	low-lead brass C28500
Stem nut:	steel (CL04)
Seats (2):	PTFE
90° stop:	hot rolled steel (DD11)
O-ring stem seals (2):	nitrile butadiene rubber (NBR) & fluoro-elastomer (FKM)
Thrust washer and packing ring:	PTFE
Black T-handle:	polyamide thermal plastic (PA6.6)
Handle top cap:	acrylonitrile butadiene styrene (ABS)

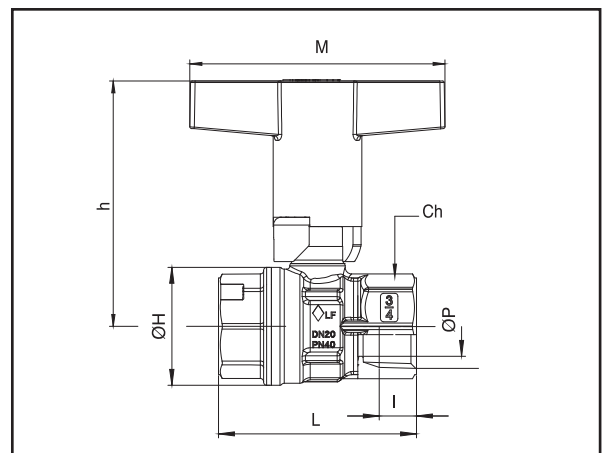
Performance

Suitable Fluids:	water, glycol solutions
Max. percentage of glycol:	50%
Pressure rating:	600 WOG-150WSP
Working temperature range:	-4 – 366°F (-20 – 186°C)
Shutoff performance:	bubble tight

Connections:

Main connections: 1/2", 3/4", 1", 1-1/4", 1-1/2" & 2" NPT female inlet and outlet

Dimensions



Size	ØP	I	L	ØH	Ch	M	h
1/2"	0.55"	0.54"	2.22"	1.22"	0.98"	3.15"	2.8"
3/4"	0.75"	0.55"	2.46"	1.46"	1.22"	3.15"	3.05"
1"	0.94"	0.66"	3.01"	1.76"	1.50"	3.15"	3.15"
1 1/4"	1.19"	0.68"	3.37"	2.11"	1.89"	4.72"	4.34"
1 1/2"	1.50"	0.68"	3.70"	2.64"	2.13"	4.72"	4.57"
2"	1.95"	0.70"	4.31"	3.39"	2.64"	4.72"	4.96"

We reserve the right to change our products and their relevant technical data, contained in this publication, at any time and without prior notice.