

## Low-lead serviceable inline check valves

© Copyright 2019 Caleffi

### NA51 series

#### Function



A check valve ensures that water only flows in a single direction of a plumbing or hydronic system. The NA51 series low-lead serviceable inline spring check valves, ideal for residential and commercial applications, feature union connections with a variety of end connection options for easy installation and maintenance. The valve is constructed of a stainless steel body and low-lead brass or copper tailpieces. It complies with low lead laws and listed by ICC-ES, and meets codes IPC, IRC, UPC and NPC for use in accordance with the US and Canadian plumbing codes.

#### Product range

Serviceable inline spring check valves:

NA5212 series	with NPT female and male threaded, press, PEX crimp and expansion, and sweat dual union connections, flowing Cv 17.....sizes ½" and ¾"
NA5213 series	with NPT female and male threaded, press, PEX crimp and expansion, and sweat dual union connections, flowing Cv 30.....sizes 1" and 1¼"
NA5214 series	with NPT female and male threaded, press, PEX crimp and expansion, and sweat dual union connections, flowing Cv 75.....sizes 1½" and 2"

#### Technical specifications

<b>Materials</b>	- body:	stainless steel
	- check valve:	NBR, POM
	- fitting tailpieces:	low-lead brass or copper

#### Performance

Suitable fluids:	water and non-hazardous glycol solution up to 50%
Max. Working pressure:	150 psi (10 bar)
Operating temperature range:	32 to 150°F (0 to 65°C)
Max. temperature:	for one hour: 190°F (88°C)
Opening pressure differential:	0.25 psi (size ½" through 1¼") 0.50 psi (size 1½" & 2")
Flow capacity:	Cv 17 (size ½" & ¾") Cv 30 (size 1" & 1¼") Cv 75 (size 1½" & 2")

#### Certifications

1. Complies with codes IPC, IRC, UPC and NPC.
2. NSF/ANSI 372, Drinking Water System Components-Lead Content Reduction of Lead in Drinking Water Act, California Health and Safety Code 116875 S.3874, Reduction in Drinking Water Act, Vermont Act 193 - The Lead in Plumbing Supplies Law and Maryland's Lead Free Law HB.372, certified by ICC-ES, file PMG-1360.
4. PEX crimp fittings designed to ASTM F 1807.
5. PEX expansion fittings designed to ASTM F 1960.



## SAFETY INSTRUCTION

This safety alert symbol will be used in this manual to draw attention to safety related instructions. When used, the safety alert symbol means **ATTENTION! BECOME ALERT! YOUR SAFETY IS INVOLVED! FAILURE TO FOLLOW THESE INSTRUCTIONS MAY RESULT IN A SAFETY HAZARD.**



**WARNING:** This product can expose you to chemicals including lead, which is known to the State of California to cause cancer and birth defects or other reproductive harm. For more information go to [www.P65Warnings.ca.gov](http://www.P65Warnings.ca.gov).



**CAUTION:** All work must be performed by qualified personnel trained in the proper application, installation, and maintenance of systems in accordance with all applicable codes and ordinances.



**CAUTION:** Over-tightening and breakage can occur with the use of Teflon<sup>®</sup> pipe joint compounds. Teflon<sup>®</sup> provides lubricity so that care must be exercised not to over-tighten joints. Failure to follow these instructions could result in property damage and /or personal injury.



**WARNING:** System fluids under pressure or temperature can be hazardous. Be sure the pressure has been reduced to zero and the system temperature is below 100°F (38°C). Failure to follow these instructions could result in property damage and/or personal injury.



**CAUTION:** Make sure that all the connecting pipework is water tight.

Caleffi shall not be liable for damages resulting from stress corrosion, misapplication or misuse of its products.



## CONSIGNE DE SÉCURITÉ

Ce symbole d'avertissement servira dans ce manuel à attirer l'attention sur la sécurité concernant instructions. Lorsqu'il est utilisé, ce symbole signifie.

**ATTENTION! DEVEZ-VOUS ÊTRE ALERTES ! VOTRE SÉCURITÉ EST EN JEU ! NE PAS SUIVRE CES INSTRUCTIONS PEUT PROVOQUER UN RISQUE DE SÉCURITÉ.**



**AVERTISSEMENT:** Ce produit peut vous exposer à des produits chimiques comme le plomb, qui est connu dans l'État de Californie pour causer le cancer, dommages à la naissance ou autre. Pour plus d'informations rendez-vous [www.P65Warnings.ca.gov](http://www.P65Warnings.ca.gov).



**ATTENTION:** Tous les travaux doivent être effectués par du personnel qualifié formé à la bonne application, installation et maintenance des systèmes conformément aux codes et règlements locaux.



**ATTENTION:** Un serrage excessif et la rupture peut se produire avec l'utilisation de composés à joint de tuyau en Téflon®. Pouvoir lubrifiant Teflon® permet de sorte qu'il faut prendre soin de ne pas trop serrer les articulations. Le non-respect de ces instructions peut entraîner des dommages matériels et/ou des blessures.



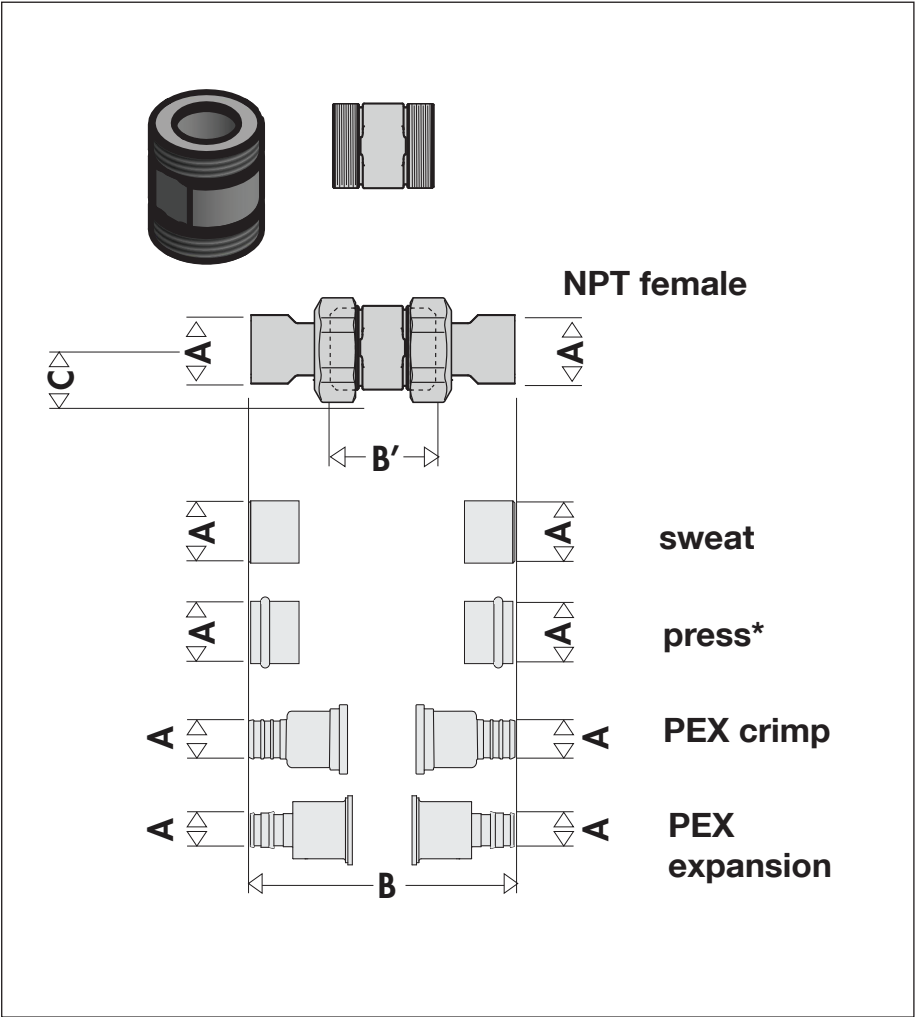
**AVERTISSEMENT:** Les liquides du système sont sous pression ou de la température peuvent être dangereux. Être sûr que la pression a été réduite à zéro et la température du système est inférieure à 100°F (38°C). Le non-respect de ces instructions peut entraîner des dommages matériels et/ou des blessures. Le non-respect de ces instructions peut entraîner des dommages matériels et/ou des blessures.



**ATTENTION:** S'assurer que tous les raccords sont étanches.

Caleffi ne pourra être tenue responsable des dommages résultant de la corrosion, d'une mauvaise utilisation ou une mauvaise utilisation des produits.

**Dimensions**



\*Lay length:

- 1/2" press- 2 7/16 inch.
- 3/4" press- 2 5/16 inch.
- 1" press- 4 inch.
- 1 1/4" press- 5 7/8 inch.
- 1 1/2" press- 5 1/8 inch.
- 2" press- 7 7/8 inch.

Code	A	B	B'	C	Wt (lb)
NA51200	1" metric, no fittings (1)	--		<sup>5</sup> / <sub>8</sub> "	1.0
NA51240	½" NPT Male	3 <sup>5</sup> / <sub>8</sub> "	1 <sup>9</sup> / <sub>16</sub> "	13/ <sub>16</sub> "	1.5
NA51249	½" SWT	3 <sup>1</sup> / <sub>8</sub> "			
NA51243	½" NPT Female	4"			
NA51246	½" press	3 <sup>15</sup> / <sub>16</sub> "			
NA51247	½" PEX crimp	4 <sup>15</sup> / <sub>16</sub> "			
NA51248	½" PEX expansion	5 <sup>3</sup> / <sub>16</sub> "			
NA51250	¾" NPT Male	3 <sup>5</sup> / <sub>16</sub> "			
NA51259	¾" SWT	3 <sup>5</sup> / <sub>8</sub> "			
NA51253	¾" NPT Female	4 <sup>3</sup> / <sub>16</sub> "			
NA51256	¾" press	4 <sup>5</sup> / <sub>16</sub> "			
NA51257	¾" PEX crimp	4 <sup>15</sup> / <sub>16</sub> "			
NA51258	¾" PEX expansion	5 <sup>5</sup> / <sub>8</sub> "			
NA51300	1 ½" metric, no fittings (1)	--			
NA51360	1" NPT Male	4 <sup>1</sup> / <sub>8</sub> "	1 <sup>3</sup> / <sub>4</sub> "	1 <sup>1</sup> / <sub>8</sub> "	2.0
NA51369	1" SWT	3 <sup>7</sup> / <sub>8</sub> "			
NA51363	1" NPT Female	3 <sup>7</sup> / <sub>8</sub> "			
NA51366	1" press	5 <sup>7</sup> / <sub>8</sub> "			
NA51370	1 ¼" NPT Male	5 <sup>3</sup> / <sub>8</sub> "			
NA51379	1 ¼" SWT	3 <sup>3</sup> / <sub>8</sub> "			
NA51373	1 ¼" NPT Female	5 <sup>3</sup> / <sub>8</sub> "			
NA51376	1 ¼" press	7 <sup>7</sup> / <sub>8</sub> "			
NA51400	2 ½" metric, no fittings (1)	--		1 <sup>1</sup> / <sub>4</sub> "	2.0
NA51480	1 ½" NPT Male	6 <sup>7</sup> / <sub>8</sub> "	2 <sup>1</sup> / <sub>4</sub> "	1 <sup>3</sup> / <sub>4</sub> "	3.0
NA51489	1 ½" SWT	6 <sup>5</sup> / <sub>8</sub> "			
NA51486	1 ½" press	7 <sup>7</sup> / <sub>8</sub> "			
NA51490	2" NPT Male	6 <sup>7</sup> / <sub>8</sub> "			
NA51499	2" SWT	5 <sup>3</sup> / <sub>8</sub> "			
NA51493	2" NPT Female	5 <sup>5</sup> / <sub>8</sub> "			
NA51496	2" press	10 <sup>7</sup> / <sub>8</sub> "			

## **Installation**

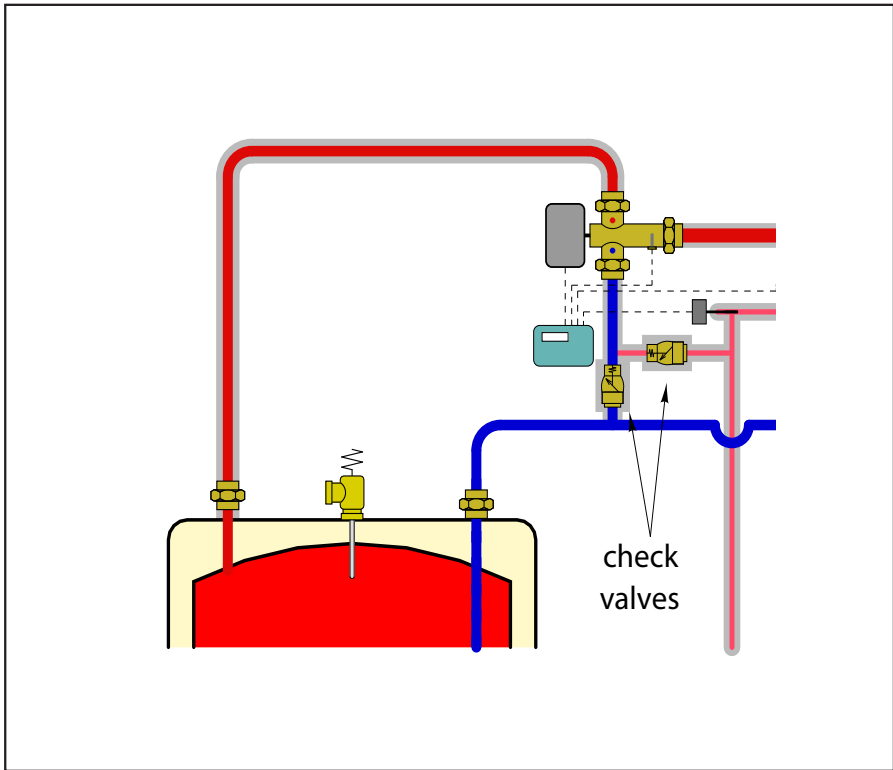
The Caleffi NA51 series spring check valve may be installed in either a vertical or horizontal position. Pipe lines should be thoroughly cleaned and flushed before installing the check valve. A strainer should be installed ahead of the check to prevent unnecessary malfunction. Install shutoff valves on inlet and outlet of check to facilitate servicing and maintenance. Install the check valve with the arrow on the valve body pointing in the direction of flow.

## **Service and Maintenance**

Turn off supply water, or make sure inlet and outlet shutoff valves are in closed position, before servicing. The Caleffi NA51 series check valves have union connections for easy removal to inspect, clean, and either replace the plastic check valve, or replace the entire check valve altogether.

# NOTES

Typical application diagram



LEAVE THIS MANUAL WITH THE USER.

Laissez ce manuel à la disposition de l'utilisateur.



Caleffi North America, Inc.  
3883 West Milwaukee Road  
Milwaukee, WI 53208  
T: 414.238.2360 F: 414.238.2366