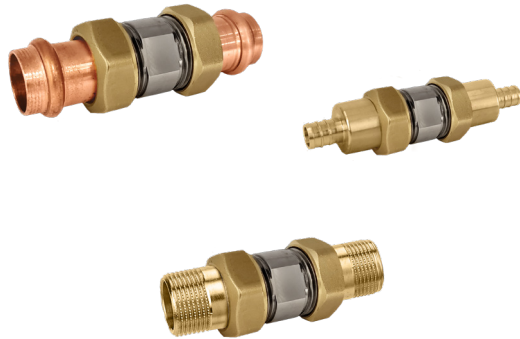


# Low-lead serviceable inline check valves



01363/22 NA

## NA51 series



### Function

A check valve ensures that water only flows in a single direction of a plumbing or hydronic system.

The NA51 series low-lead serviceable inline spring check valves, ideal for residential and commercial applications, feature union connections with a variety of end connection options for easy installation and maintenance.

The valve is constructed of a stainless steel body and low-lead brass or copper tailpieces.

It complies with low lead laws and listed by ICC-ES. It meets codes IPC, IRC, UPC and NPC for use in accordance with the US and Canadian plumbing codes.

### Product range

NA5212 series	Serviceable inline spring check valves with NPT female and male threaded, press, PEX crimp and expansion, and sweat dual union connections, flowing Cv 17.....sizes ½" and ¾"
NA5213 series	Serviceable inline spring check valves with NPT female and male threaded, press, PEX crimp and expansion, and sweat dual union connections, flowing Cv 30.....sizes 1" and 1¼"
NA5214 series	Serviceable inline spring check valves with NPT female and male threaded, press, PEX crimp and expansion, and sweat dual union connections, flowing Cv 75.....sizes 1½" and 2"

### Technical specifications

<b>Materials</b>	- body:	stainless steel
	- check valve:	NBR, POM
	- fitting tailpieces:	low-lead brass copper

### Performance

Suitable fluids:	water and non-hazardous glycol solution up to 50%
Max. Working pressure:	150 psi (10 bar)
Operating temperature range:	32 to 150°F (0 to 65°C)
Max. temperature:	for one hour: 190°F (88°C)
Opening pressure differential:	0.25 psi (size ½" through 1¼") 0.50 psi (size 1½" & 2")
Flow capacity:	Cv 17 (size ½" & ¾") Cv 30 (size 1" & 1¼") Cv 75 (size 1½" & 2")

### Certifications

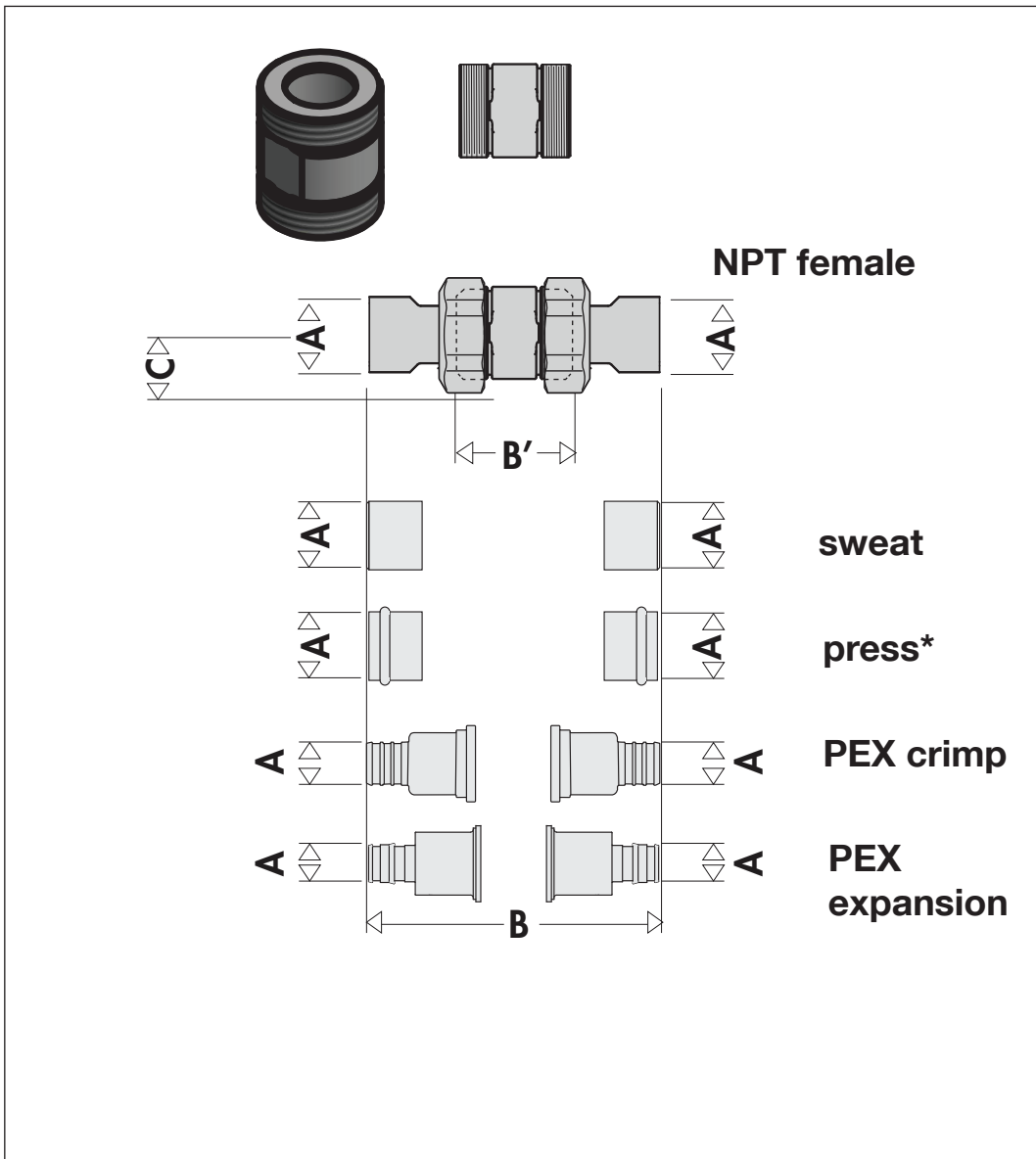
1. Complies with codes IPC, IRC, UPC and NPC.
2. NSF/ANSI/CAN 372, Drinking Water System Components-Lead Content Reduction of Lead in Drinking Water Act, California Health and Safety Code 116875 S.3874, Reduction in Drinking Water Act, Vermont Act 193 - The Lead in Plumbing Supplies Law and Maryland's Lead Free Law HB.372, certified by ICC-ES, file PMG-1360.
4. PEX crimp fittings designed to ASTM F 1807.
5. PEX expansion fittings designed to ASTM F 1960.

### Connections

Main connections:	½", ¾", 1", 1¼", 1½" & 2" NPT female and male dual union sweat dual union press dual union PEX expansion dual union (½", ¾" only) PEX crimp dual union (½", ¾" only)
-------------------	---

Lay length, for press connection pipe cutout:	size ½" - 2 7/16" size ¾" - 2 5/16" size 1" - 4" size 1¼" - 5 7/8" size 1½" - 5 1/8" size 2" - 7 7/8"
---	--

Dimensions

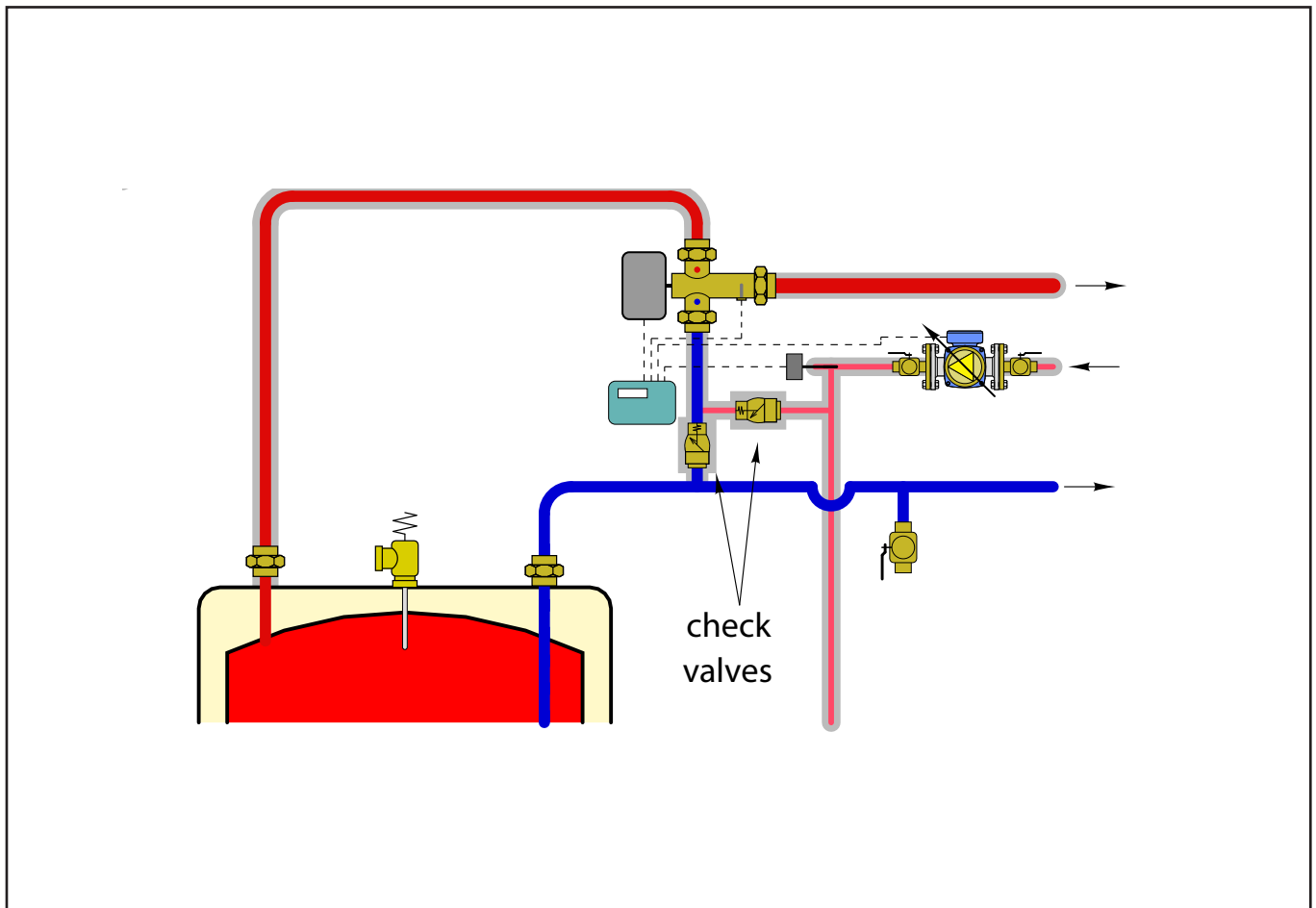


\*Lay length:

- 1/2" press- 2 7/16 inch.
- 3/4" press- 2 5/16 inch.
- 1" press- 4 inch.
- 1 1/4" press- 5 7/8 inch.
- 1 1/2" press- 5 1/8 inch.
- 2" press- 7 7/8 inch.

Code	A	B	B'	C	Wt (lb)		
NA51200	1" metric, no fittings (1)	--	1 9/16"	5/8"	1.0		
NA51240	1/2" NPT Male	3 5/8"		13/16"	1.5		
NA51249	1/2" SWT	3 1/8"					
NA51243	1/2" NPT Female	4"					
NA51246	1/2" press	3 15/16"					
NA51247	1/2" PEX crimp	4 15/16"					
NA51248	1/2" PEX expansion	5 3/16"					
NA51250	3/4" NPT Male	3 5/16"					
NA51259	3/4" SWT	3 5/8"					
NA51253	3/4" NPT Female	4 3/16"					
NA51256	3/4" press	4 5/16"					
NA51257	3/4" PEX crimp	4 15/16"					
NA51258	3/4" PEX expansion	5 5/8"					
NA51300	1 1/2" metric, no fittings (1)	--				1 3/4"	3/4"
NA51360	1" NPT Male	4 1/8"	1 1/8"				2.0
NA51369	1" SWT	3 7/8"					
NA51363	1" NPT Female	3 7/8"					
NA51366	1" press	5 7/8"					
NA51370	1 1/4" NPT Male	5 3/8"					
NA51379	1 1/4" SWT	3 3/8"					
NA51373	1 1/4" NPT Female	5 3/8"					
NA51376	1 1/4" press	7 7/8"					
NA51400	2 1/2" metric, no fittings (1)	--		2 1/4"	1 1/4"	2.0	
NA51480	1 1/2" NPT Male	6 7/8"	1 3/4"		3.0		
NA51489	1 1/2" SWT	6 5/8"					
NA51486	1 1/2" press	7 7/8"					
NA51490	2" NPT Male	6 7/8"					
NA51499	2" SWT	5 3/8"					
NA51493	2" NPT Female	5 5/8"					
NA51496	2" press	10 7/8"					

(1) Check valve body threads match the nut size when field installing tailpieces.  
See fittings table in Caleffi Catalog.



## SPECIFICATION SUMMARY

### NA51 series

Serviceable inline spring check valves, certified by ICC-ES to NSF/ANSI/CAN 372. Meets codes IPC, IRC and UPC for use in accordance with the US and Canadian plumbing codes. Sizes 1/2" to 2" with NPT female union, NPT male union, sweat union or press union connections, sizes 1/2" & 3/4" PEX crimp union or PEX expansion union connections. PEX crimp fittings must comply with ASTM F 1807. PEX expansion fittings must comply with ASTM F 1960. Stainless steel body with low-lead brass or copper tailpieces, certified by and listed by ICC-ES. Check valve in NBR, POM. Maximum working temperature for one-hour 190 degrees F (88 degrees C). Operating temperature range 32 degrees F to 150 degrees F (0 degrees C to 65 degrees C). Maximum working pressure 150 psi (10 bar). Operating pressure differential 0.25 psi (sizes 1/2" to 1 1/4" ), 0.5 psi (sizes 1 1/2" to 2"). Flow capacity: Cv 17 (1/2" & 3/4"), Cv 30 (1" & 1 1/4"), Cv 75 (1 1/2" & 2").

We reserve the right to make changes and improvements to the products and related data in this publication, at any time and without prior notice.



Caleffi North America, Inc.  
 3883 W. Milwaukee Road  
 Milwaukee, WI 53208  
 Tel: 414-238-2360 · Fax: 414-238-2366  
 sales@caleffi.com · www.caleffi.com ©  
 Copyright 2022 Caleffi North America, Inc.