

204053

Retrofit Kits used for:

- converting 1000T6 (from 1999 on) to 1600T6 Hardwire
- converting 83T manual valves to 1600T Hardwire

204053

204053

060924A	Retrofit Kit for 1000T6 WC with 12" frame to 1600T
060925A	Retrofit Kit for 1000T6 WC with 4" box to 1600T
060926A	Retrofit Kit for 1000T6 UR with 12" frame to 1600T
060927A	Retrofit Kit for 1000T6 UR with 4" box to 1600T

204053

204053

1000T6

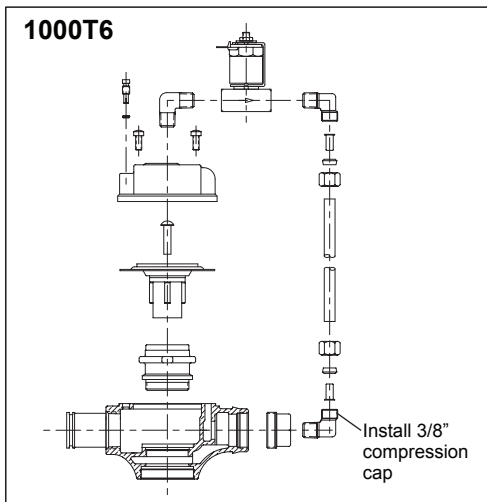
- Remove old style electronics (sensor, s/s cover, solenoid and flush cap).
- Install 3/8" compression cap (supplied) at end of elbow that extends out of body.
- Install new style electronics supplied.

83T Series

- Remove handle assembly and flush cap.
- Install 3/8" compression cap (supplied) at end of elbow that extends out of body.
- Install new style electronics supplied.

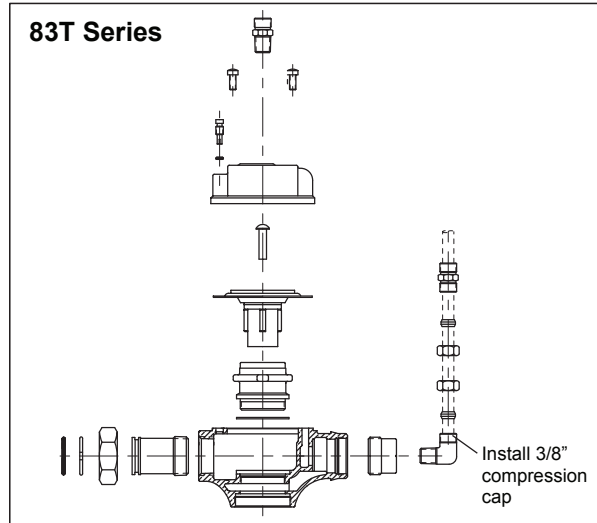
204053

204053



204053

204053



204053

Retrofit Kits used for:

- converting 1000T9 to 1600T9 Hardwire

060928A	Retrofit Kit for 1000T9 Washdown with 10" frame to 1600T
---------	--

1000T9

- Remove old style electronics (sensor, s/s cover and solenoid).
- Install extra washer (supplied) to solenoid. NOTE: all 3 washers are required.
- Install new style electronics supplied.

PLEASE LEAVE this M&I Sheet with the owner, maintenance plumber, etc. as items relating to ongoing maintenance suggestions and procedures are included.