

PRODUCT SPECIFICATIONS

Elkay Faucet Air Gap. Overall dimensions are 1-3/4" x 1-3/4" x 2-1/8". Made of Brass Housing, Plastic Construction.

Material:	Brass Housing, Plastic Construction
Finish:	Antique Steel (AS), Chrome (CR), Lustrous Steel (LS)
Dimensions:	1-3/4" x 1-3/4" x 2-1/8"
Shipping Weight:	1 lbs.

- Universal design that fits many faucet styles.



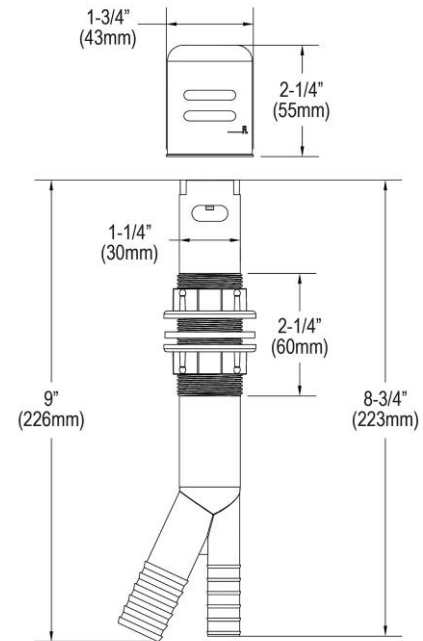
A Century of Tradition and Quality.

For more than 100 years, Elkay has been making innovative products and providing exceptional customer care. We take pride in offering plumbing products that make life easier, inspire change and leave the world a better place.

[Clean and Care Manual \(PDF\)](#)

[Installation Instructions \(PDF\) - LK105 - Install Sheet](#)

[Warranty \(PDF\)](#)



PART: _____ QTY: _____

PROJECT: _____

CONTACT: _____

DATE: _____

NOTES: _____

APPROVAL: _____

In keeping with our policy of continuing product improvement, Elkay reserves the right to change product specifications without notice. Please visit elkay.com for the most current version of Elkay product specification sheets. This specification describes an Elkay product with design, quality, and functional benefits to the user. When making a comparison of other producers' offerings, be certain these features are not overlooked.