

## SPECIFICATIONS

### Features/Benefits

- 1.5 gpm (5.7 L/min) Max Flow @ 80 psi
- 2 Functions: Spray and Massage
- Ball Joint Allows for Directional Adjustments
- Easy Clean Nozzles

### Available Color/Finishes

Color	Description
	Chrome

Please see [gerberonline.com](http://gerberonline.com) or current price list for available finishes. Finish is defined by additional suffix.

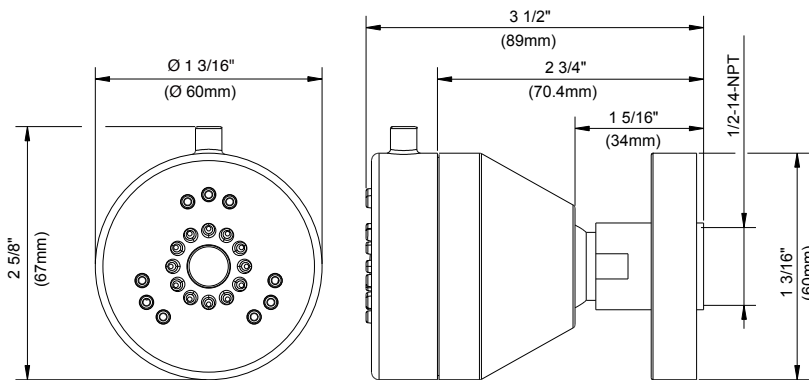
### Standards & Certifications



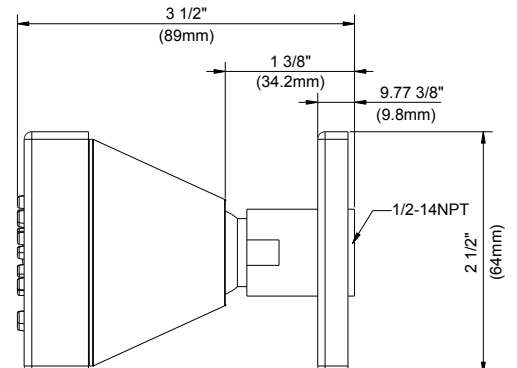
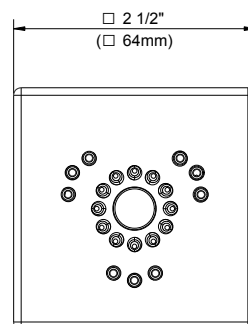
D460258



D460244



D460258



D460244

### Submittal Information:

Name: \_\_\_\_\_ Contractor: \_\_\_\_\_  
 Location: \_\_\_\_\_ Contact #: \_\_\_\_\_