

5
YEAR
PARTS
WARRANTY

10
YEAR
HEAT EXCHANGER
WARRANTY

DC
SERIES

IBC



COMBI



THE **SMART CHOICE** FOR
HEATING AND HOT WATER

IBC INTERGAS[®]

DOUBLE HIGH EFFICIENCY

Our DC provides not only high-efficiency heating, but unrivalled hot water efficiency too. We call this '**Double HE**'. The secret lies in IBC Intergas patented **two-in-one** heat exchanger that ensures optimal heat transfer and minimal heat loss.

Flue gases are condensed with both space heating and domestic hot water production ensuring heat extraction to the fullest extent possible.

Our DC Combi boiler assures you unrivalled high efficiency and economical operation year in, year out.



INTERGAS - THE SMART CHOICE FOR SPACE HEATING AND HOT WATER

Intergas has been at the forefront of boiler manufacturing for almost 50 years. In 1989 we launched our first condensing combination boiler and now lead the market in the development of innovative boiler technology. Our ground-breaking and patented two-in-one heat exchanger has made us the first choice with many households throughout Europe. With over 2 million boilers installed in more than 20 countries and 5,200 boilers produced every week, Intergas is the reliable and environmentally responsible solution to your heating and hot water needs.

"We want to make something beautiful."

Peter Cool, Technical Director, Intergas





**CUTTING EDGE
COMFORT**



THE ONLY FULLY CONDENSING COMBI BOILER ON THE MARKET

You expect your combi boiler to provide enough hot water for both your kitchen and bathroom, as well as enough heat to make your home cozy and snug. Our DC Combi is designed to do just that. Whatever your exact heating and hot water requirements may be, one of our combi boilers is sure to be a perfect match for you.

BUILT TO LAST

- Every DC features our unique back-to-back "Double HE" 2 in 1 heat exchanger
- 30 year track record
- 2 independent copper waterways embedded in a cast aluminum heat exchanger
- Separating the circuits for heating and hot water also means there's no need for a diverter valve or secondary DHW plate heat exchanger, eliminating another source of possible component failures

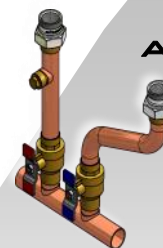
EASY TO USE

- Contractor friendly, reduced internal parts, easy to install, maintain & service
- Innovative state of the art electronics control the gas valve, fan and ignition
- Compatible with standard Propylene Glycol
- Self-cleaning, self-draining vertical fin heat exchanger flue ways

EFFICIENT

- Up to 95% AFUE with full ASME-rated vessel
- Outdoor reset technology increases efficiency by lowering the water temperature automatically
- Up to 3.2 GPM continuously at a 70°F rise
- Advanced modulating temperature control

INSTALLATION AND MAINTENANCE MADE EASY



**EZ Pipe Copper
Manifold**
Part# 190-149

Floor Stand

Part# P-267
Convert any residential IBC wall hanging boiler to a floor standing model instantly.



Parts Kit

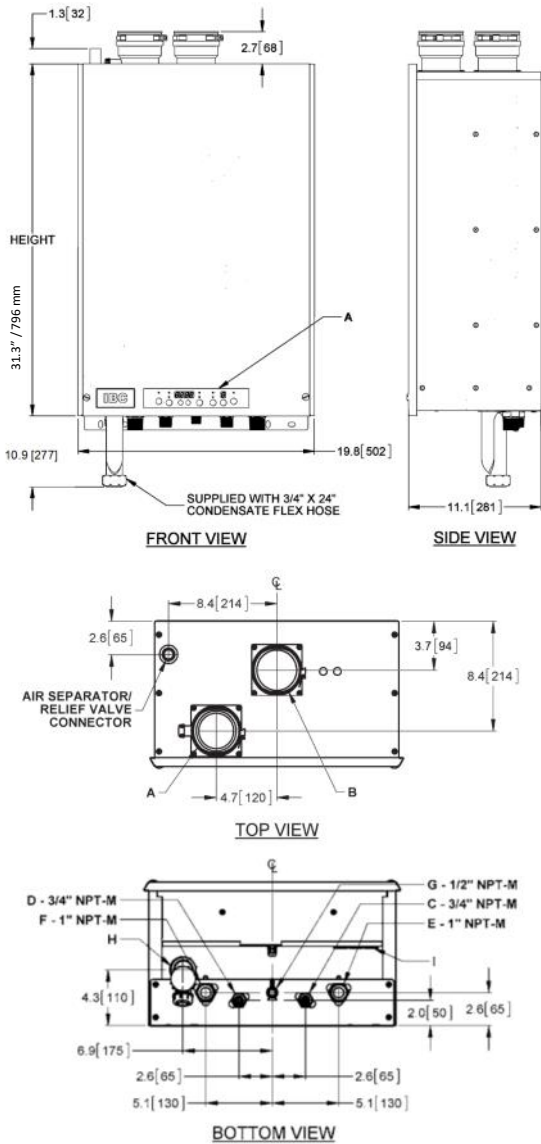
Part# P-734
Contains all the main parts needed to service all DC/HC models.



**ALL THE HOT WATER
AND HEATING
YOU'LL EVER NEED**



Technical Information



SPECIFICATIONS	DC 20-125	DC 33-160
CSA Input (Natural Gas or Propane) – MBH	20 - 125	33 - 160
CSA Input (Natural Gas or Propane) – KW	5.6 - 36.6	9.7 - 46.9
CSA Output – MBH	18.6 - 110.8	30.4 - 140.0
CSA Output – KW	5.4 - 32.5	8.9 - 41.0
DHW - CSA Input (Natural Gas or Propane) - MBH	20 - 125	33 - 124
DHW - CSA Input (Natural Gas or Propane) - KW	9.56 - 36.3	9.7 - 36.3
A.F.U.E	95%	94%
Min gas pressure (Nat. Gas or Propane) – inch w.c.	5	5
Max Gas Pressure (Nat. Gas or Propane) – inch w.c.	14	14
Power (120Vac/60Hz) - Watts @ full fire with internal pump	130	164
Weight (empty) – lbs/Kg	105 / 48	105 / 48
Pressure vessel water content – USG/Liters	0.5/1.9	0.5/1.9
Max boiler flow rate - USgpm	11	11
Min boiler flow rate - USgpm	3	3
Max operating pressure – Space Heating Coil - psig	43.5	43.5
Max operating pressure – Domestic Hot Water Coil - psig	150	150
Approved installation altitude - ASL	0 - 10,000 ft	0 - 10,000 ft
Ambient temperature – Low (°F/°C)	32/0	32/0
Ambient temperature – High (°F/°C)	122/50	122/50
Max relative humidity (non-condensing)	90%	90%
Min water temperature – Space Heating (°F/°C)	50/10	50/10
Max water temperature – Space Heating (°F/°C)	194/90	194/90
Min water temperature – Domestic Hot Water (°F/°C)	104/40	104/40
Max water temperature – Domestic Hot Water (°F/°C)	149/65	149/65
Min flow rate to activate DHW heating - USgpm	0.5	0.5
Max flow rate DHW heating - USgpm	4	4
Max equivalent vent length 2" (each side)	35'	35'
Max equivalent vent length 3" (each side)	120'	120'
Domestic hot water delivery: @70°F/ 39°C temp. rise	3.2 GPM	3.2 GPM

Natural Gas boilers require a Propane conversion kit to be ordered separately if converting a Natural Gas boiler to Propane.
 Propane (LP) boilers require a Natural Gas conversion kit to be ordered separately if converting a Propane boiler to Natural Gas.
 Boilers shipped with a 30 psi relief valve.



SURFACE	DISTANCE FROM COMBUSTIBLE SURFACES	RECOMMENDED DISTANCE FOR INSTALLATION AND SERVICE
Front	2"	24"
Rear	0"	0"
Left Side	1.5"	6"
Right Side	4"	6"
Top	2"	24"
Bottom	8"	24"

DESCRIPTION	DC SERIES
A Exhaust outlet	3" Schedule 40
B Combustion air	3" Schedule 40
C Cold domestic water connection	3/4" Male NPT
D Hot domestic water connection	3/4" Male NPT
E Heating water inlet (return)	1" Male NPT
F Heating water outlet (supply)	1" Male NPT
G Gas inlet	1/2" Male NPT
H Condensate outlet	3/4" Hose
I Knock-outs (3)	1/2"

VENTING	MAXIMUM EQUIVALENT LENGTH
Schedule 40 PVC, CPVC or PPs	
2"	35'
3"	120'
2" or 3" 90' Long Sweep Vent Elbow	Allow 5 equivalent feet
2" or 3" 90' Short Sweep Vent Elbow	Allow 8 equivalent feet
2" or 3" 45' Vent Elbow	Allow 3 equivalent feet
PPs	
PPs 87-90' Elbow	Allow 8 equivalent feet
Flex PPS	
3" PPs Flex	(Max. 35) actual feet times 1.4



HC SERIES



CONDENSING BOILER

Excellent value for the money, the HC Series offers an economical solution to all home heating needs without sacrificing reliability. Same great features as the DC Series without tankless DHW. DHW demand priority standard on all HC Models. Pair with one of our IBC indirect tanks for a complete system.

SPECIFICATIONS	HC 13-50	HC 15-95	HC 20-125	HC 33-160
CSA Input (Natural Gas or Propane) – MBH	13.5 - 51	15 - 95	20 - 125	33 - 160
CSA Input (Natural Gas or Propane) – KW	3.95 - 14.94	4.4 - 27.8	5.6 - 36.6	9.7 - 46.9
CSA Output – MBH	12.4 - 45.4	14.4 - 85.5	18.6 - 110.8	30.4 - 140.0
CSA Output - KW	3.64 - 13.3	4.2 - 25.0	5.4 - 32.5	8.9 - 41.0
A.F.U.E	95%	95%	95%	94%
Min gas pressure (Nat. Gas or Propane) – inch w.c.	5	5	5	5
Max Gas Pressure (Nat. Gas or Propane) – inch w.c.	14	14	14	14
Power (120Vac/60Hz) - Watts @ full fire with internal pump	126	128	130	164
Weight (empty) – lbs/Kg	84 / 38	91 / 41	96 / 44	96 / 44
Pressure vessel water content – USG/Liters	0.37 / 1.4	0.37 / 1.4	0.5 / 1.9	0.5 / 1.9
Max boiler flow rate - USgpm	9	10	11	11
Min boiler flow rate - USgpm	2	2	3	3
Max operating pressure – Space Heating Coil - psig	43.5	43.5	43.5	43.5
Ambient temperature – Low (°F/°C)	32/0	32/0	32/0	32/0
Ambient temperature – High (°F/°C)	122/50	122/50	122/50	122/50
Max relative humidity (non-condensing)	90%	90%	90%	90%
Min water temperature - Space Heating (°F/°C)	50/10	50/10	50/10	50/10
Max water temperature – Space Heating (°F/°C)	194/90	194/90	194/90	194/90
Max equivalent vent length 2" (each side)	35'	35'	35'	35'
Max equivalent vent length 3" (each side)	120'	120'	120'	120'

Natural Gas boilers require a Propane conversion kit to be ordered separately if converting a Natural Gas boiler to Propane.

Propane (LP) boilers require a Natural Gas conversion kit to be ordered separately if converting a Propane boiler to Natural Gas.

Boilers ships with a 30 psi relief valve.



WWW.IBCBOILER.COM



IBC INTERGAS®