

# SFT

## SUPERFLOW

### TANKLESS



## CONDENSING TANKLESS WATER HEATERS

If you'd like to shower with an uninterrupted hot water supply or run hot water from multiple taps at the same time, then the SFT SUPERFLOW™ is the perfect solution. The SFT is the latest innovation in high-efficiency tankless water heaters. A continuous supply of hot water through copper waterways at a constant temperature. And no tank in sight.



### SIMPLE

- A total of 4 moving parts - Unparalleled in the industry
- Illuminated touchscreen control display panel
- Built-in bypass valve to prevent temperature fluctuations
- Superior performance in hard water areas
- Contractor friendly: 2" venting up to 65 ft., and 2" vent adapter, and extended pipe connections
- Universal internal parts

### RELIABLE

- Proven patented single pass Labyrinth heat exchanger with fully integrated copper waterways
- No flow reduction in hard water conditions
- Innovative state of the art electronic control

### EFFICIENT

- Fully condensing one-piece heat exchanger
- Wireless cascade of up to 8 units. Multiple cascade configurations available.
- DHW recirculation pump control eliminates the need for an external timer
- Qualifies for top-tier energy rebates. Check your local utility for rebate opportunities.
- Ultra low NOx / low greenhouse gases
- Up to 5.2 GPM continuous at a 70°F rise
- Advanced temperature control

THE **SMART CHOICE** FOR  
HEAT AND HOT WATER

# IBC®

# SFT - TANKLESS

## Technical Information

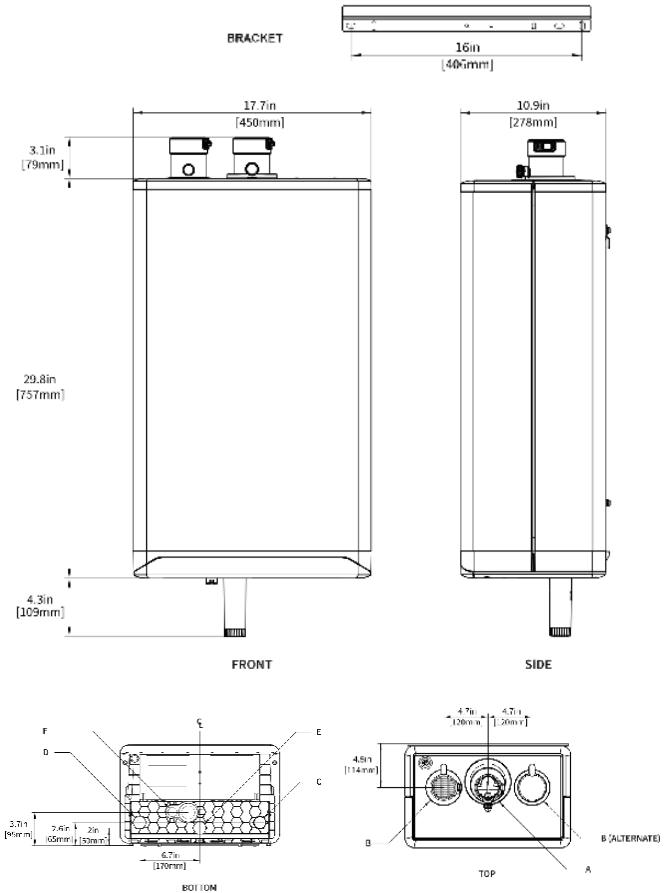


SPECIFICATIONS	SFT 199-1
Heat Capacity (Input)	Natural Gas/Propane - 28,500-199,000 BTU/H
Efficiency Ratings (NG & LP)	U.E.F. - 0.9
Flow Rate (DHW): 35°F (19°C) Temp. Rise	10.1 GPM (38 LPM)
Flow Rate (DHW): 45°F (25°C) Temp. Rise	7.9 GPM (30 LPM)
Flow Rate (DHW): 67°F (36°C) Temp. Rise	5.4 GPM (20 LPM)
Dimensions (W/H/D)	17.7 in. x 29.8 in. x 10.9 in. (450 mm x 757 mm x 277 mm)
Weight (empty)	68 lb/31 kg
Installation Type	Indoor only wall-hung
Venting Type	Forced Draft Direct Vent
Ignition Type	Electronic Ignition
Water Pressure	40 psig - 150 psig
Gas Pressure (NG or LP*)	4 inch w.c. - 14 inch w.c.
Min. Flow Rate to Activate DHW Heating	0.5 GPM (1.9 LPM)
Pressure Vessel Water Content	0.19 USG / 0.72 L
Ambient Temperature - Low	32 °F / 0 °C
Ambient Temperature - High	122 °F / 50 °C
Max. Relative Humidity (Non-Condensing)	90%
Power Supply: Main Supply	120Vac. 60Hz
Power Supply: Watts at Full Fire	100 watts
Materials: Casing	Painted Steel and Plastic
Materials: Heat Exchangers	Copper Tubes in AL Block
Venting (Canada venting must meet ULC S636)	2" or 3" PVC, CPVC, Polypropylene
Vent Clearances	0" to combustibles
Safety Devices	Flame Proving Module, Flue Gas Temp. Sensor, Protective Fuse
Certified Design	ANSI Z21.10.3   CSA 4.3
Freeze Protection	Yes

\* Units ship configured for Natural Gas (NG) with a Propane (LP) conversion kit included.



SURFACE	DISTANCE FROM COMBUSTIBLE SURFACES	RECOMMENDED DISTANCE FOR INSTALLATION AND SERVICE
Front	2"	24"
Rear	0"	0"
Left Side	1.5"	6"
Right Side	4"	6"
Top	2"	24"
Bottom	8"	24"



PIPING CONNECTIONS	SFT 199-1
A. Exhaust Outlet	2" Schedule 40 PVC
B. Combustion Air Inlet	2" Schedule 40 PVC
C. Cold Domestic Water Connection & Inlet Filter	3/4" Male NPT
D. Hot Domestic Water Connection	3/4" Male NPT
E. Gas Inlet	3/4" Male NPT
F. Condensate Outlet	3/4" Hose

VENTING	MAXIMUM EQUIVALENT LENGTH
Schedule 40 PVC, CPVC, or PPs	(each side)
2"	65'
3"	120'
2" or 3" 90° Long Sweep Vent Elbow	Allow 5 equivalent feet
2" or 3" 90° Short Sweep Vent Elbow	Allow 8 equivalent feet
2" or 3" 45° Short Vent Elbow	Allow 3 equivalent feet
<b>PPs</b>	
PPs 87-90° Elbow	Allow 8 equivalent feet
<b>Flex PPs</b>	
3" PPs Flex	35' Actual (Equivalent = Actual x 1.4)



sales@ibcboiler.com ■ www.ibcboiler.com  
Toll Free: 1-844-HEAT IBC / 1-844-432-8422

All information contained in this brochure is subject to change without notice.  
Due to clerical error, regulation change or product development please confirm all information with IBC.

900-343 (R3) 11.29.22