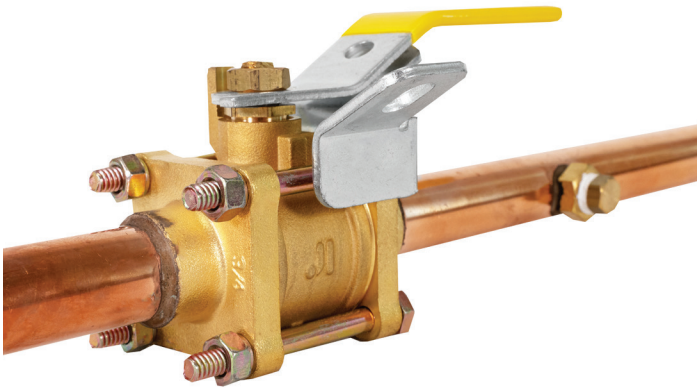


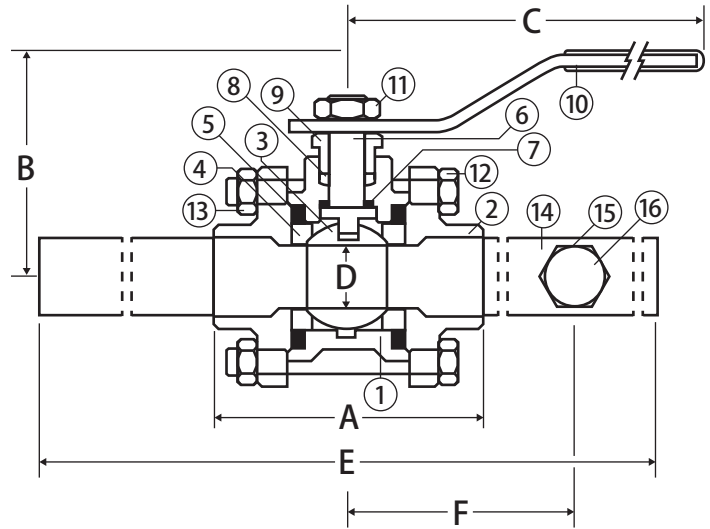
# Medical Gas Ball Valve



**3 Piece 4 Bolt • Oxygen Cleaned for Medical Gas •  
Copper Stub Connection • with Single Gauge Port • 600 WOG**



**S-675-GP-4B**



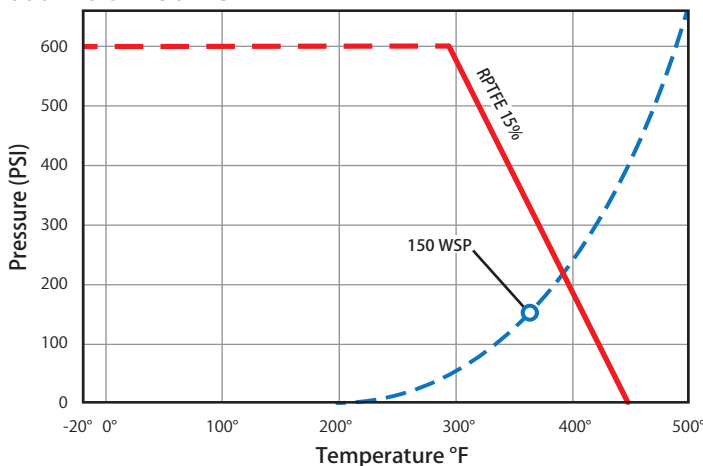
## Features

- NFPA-99C standard
- One 1/8" gauge purge port
- "K" copper tubing extensions silver brazed
- Latch lock handle is standard
- Oxygen cleaned
- 100% leak tested
- 29 in-Hg vacuum rating

## Approvals

- MSS SP-110

## Valve Seat Rating 600 WOG - 150 WSP



## Material Specifications

No.	Part	Materials
1	Body	Brass
2	End Cap (2)	Brass
3	Ball	Chrome Plated Brass
4	Seat (2)	RPTFE - 15%
5	Body O-ring (2)	Viton®
6	Stem	Brass
7	Stem Seal	RPTFE - 15%
8	Packing	RPTFE - 15%
9	Packing Gland	Brass
10	Handle	Steel - Nickel Plated
11	Handle Nut	Steel - Nickel Plated
12	Body Bolt (4)	Steel - Nickel Plated
13	Body Nut (4)	Steel - Nickel Plated
14	Extension (2)	Copper
15	Port Housing	Brass
16	Purge Port	Brass
17	Locking Device*	Steel - Nickel Plated
18	End Plug*	Plastic

\* Not shown in drawing

## Dimensions

Part No.	Size	A	B	C	D	E	F	Torque (in. lbs.)
500-823	1/2	2.64	1.81	2.87	0.59	17.50	5.00	89-106
500-824	3/4	2.95	2.44	4.67	0.79	17.50	5.00	89-106