

# Gas Ball Valve

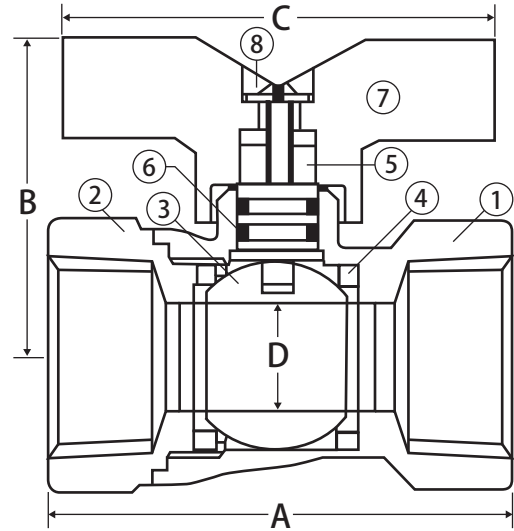


## 2 Piece • Threaded Connection • 600 WOG



CRN# 0C16887.5469870YTN

### T-204 FIP x FIP



### Material Specifications

No.	Part	Materials
1	Body	Brass - CW617N
2	End Connection	Brass - CW617N
3	Ball	Chrome Plated Brass - CW614N
4	Seat (2)	PTFE
5	Stem	Brass - CW614N
6	Stem O-ring (2)	FKM
7	Handle*	Aluminum
8	Handle Screw	Steel - Geomet® Plated

\*101-404BRT has brass handle

### Dimensions

Part No.	Size	Dimensions			
		A	B	C	D
<b>T-handle</b>					
101-401	1/4" FIP	1.85	1.63	2.32	0.39
101-402	3/8" FIP	1.85	1.63	2.32	0.47
101-403	1/2" FIP	2.40	1.63	2.32	0.47
101-404	3/4" FIP	2.53	1.69	2.32	0.59
101-404BRT*	3/4" FIP	2.53	2.05	2.32	0.59
<b>Teardrop Handle</b>					
101-411	1/4" FIP	1.85	1.40	1.97	0.39
101-412	3/8" FIP	1.85	1.40	1.97	0.47
101-413	1/2" FIP	2.40	1.40	1.97	0.47
101-414	3/4" FIP	2.53	1.46	1.97	0.59

**WARNING:** This product can expose you to chemicals including lead, which is known to the State of California to cause cancer, and lead, which is known to the State of California to cause birth defects or other reproductive harm. For more information go to [www.P65Warnings.ca.gov](http://www.P65Warnings.ca.gov).



### Features

- Valve can be locked in the closed position by reversing the handle
- 2 FKM o-rings
- 100% leak tested
- 100% Made in Italy
- Leakproof stem - Lifetime Warranty
- For sizes above 3/4" use Model T-100C

### Approvals

- UL Listed
  - YQNZ - Compressed gas shut-off valves
  - YRPV - Gas shut-off valves
  - YSDT - LP gas shut-off valves
  - MHKZ - Manual valves
  - YRBX - Flammable liquid shut-off valves
  - SFJQ - Valves, refrigerant
- CSA Certified
  - ANSI Z21.15 (.5 PSIG)
  - ASME B16.44 (5 PSIG)
  - CGA CR91 (5 PSIG)
- ANSI B1.20.1
- MSS SP-110

### Valve Seat Rating

600 WOG

