

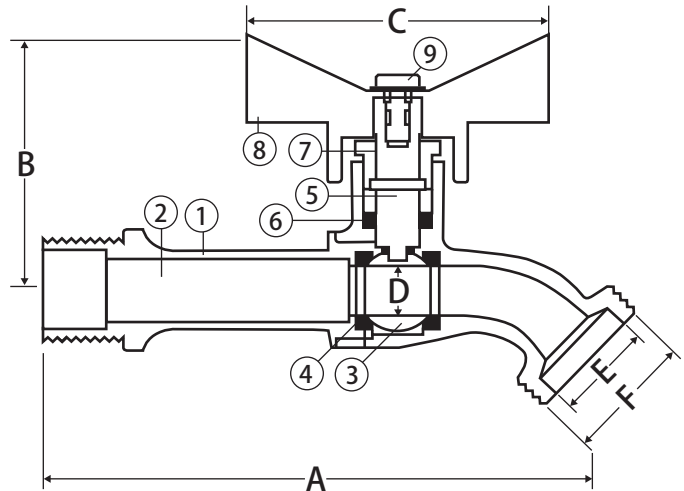
Lead Free Brass Hose Bibb Ball Valve



Nickel Plated • Threaded and Solder Connections •
Quarter Turn • 200 WOG • with No Kink



T-632NKG



Features


- Aluminum T-handle for easy operation
- Long life positive shut-off
- Nickel-plated finish
- 1/2" has combination 1/2" MIP and 1/2" solder inlet
- Wetted surfaces contain less than .25% lead content

Approvals

- Truesdail Certified
- Lead Free Compliant
- ANSI B1.20.1 and B1.20.7

Valve Seat Rating

- 200 WOG

 **WARNING:** This product can expose you to chemicals including lead, which is known to the State of California to cause cancer, birth defects or other reproductive harm. For more information go to www.P65Warnings.ca.gov.

Material Specifications

No.	Part	Materials
1	Body	Lead Free Nickel Plated Brass
2	End Connection	Lead Free Nickel Plated Brass
3	Ball	Lead Free Chrome Plated Brass
4	Seat (2)	PTFE
5	Stem	Lead Free Brass
6	Packing	PTFE
7	Packing Gland	Lead Free Brass
8	Handle	Aluminum
9	Handle Screw	Lead Free Nickel Plated Brass

Dimensions

Part No.	Size	A	B	C	D	E	F
201-207G	1/2"	3.30	1.32	1.89	0.39	0.75	3/4 GHT
201-208G	3/4"	3.30	1.32	1.89	0.39	0.75	3/4 GHT

