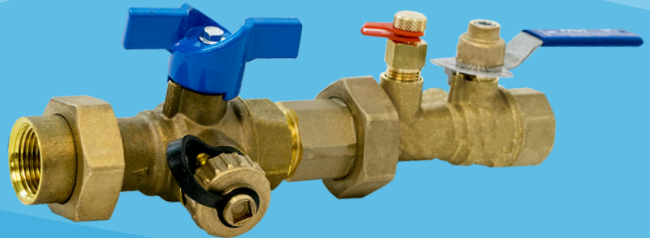
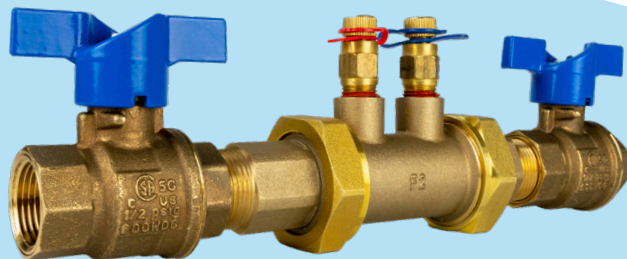


# LEAD FREE BALANCING

## DOMESTIC HOT WATER SYSTEMS

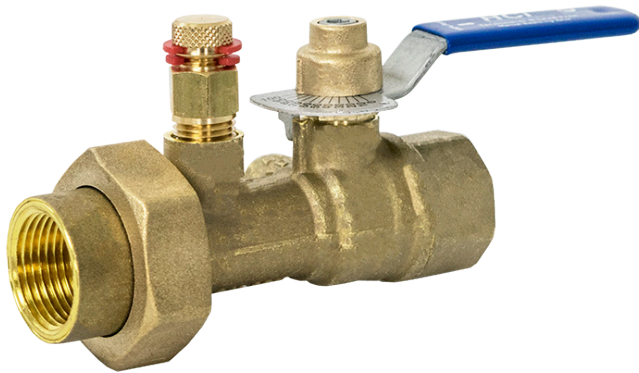


# LEAD FREE BALANCING VALVES



## TBG

INTEGRATED BALL VALVE WITH MEMORY STOP, UNION, FIXED ORIFICE VENTURI, PT PORTS, 400 WOG



PART NUMBER	SIZE	CONNECTION	LIST PRICE
TBG-AFF	1/2"	FNPT	\$75.90
TBG-BFF	3/4"	FNPT	\$79.20

- Made in Italy
- 100% leak-tested
- ±2% accuracy
- Positive shut-off
- Two pressure/temperature (PT) ports
- Triple sealed stem with 2 Viton O-Rings & Teflon Seal
- Design flow range: 0.25 GPM - 1.5 GPM
- Other flow ranges available upon request
- Patented removable venturi
- Additional accessory tap
- Blow-out proof stem
- Leakproof stem - Lifetime Warranty

## TAF

AUTOMATIC BALANCING VALVE, FLOW LIMITER, UNION, PT PORTS, 400 WOG



PART NUMBER	SIZE	CONNECTION	LIST PRICE
TAF-BFF	3/4"	See Guide	\$118.80

- ±5% accuracy
- 100% leak-tested
- Stainless steel cartridge
- Two pressure/temperature (PT) ports
- Single reduction available upon request
- Design flow rate: 0.5 GPM
- Other flow rates available upon request

## TGG

Y-PATTERN MULTI-TURN, GLOBE VALVE, VARIABLE ORIFICE, MEMORY STOP, PT PORTS, 300 WOG

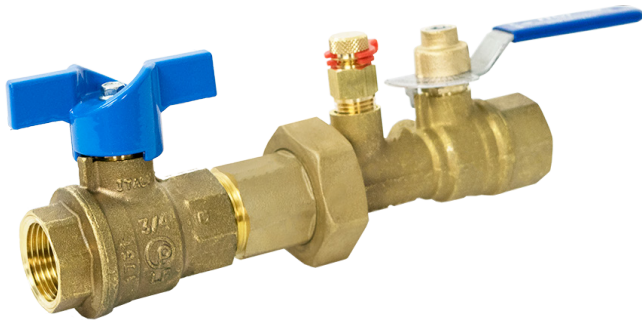


PART NUMBER	SIZE	CONNECTION	LIST PRICE
TGG-AFF	1/2"	FNPT	\$93.80
TGG-ACC	1/2"	SWT	\$91.80
TGG-BFF	3/4"	FNPT	\$101.86
TGG-BCC	3/4"	SWT	\$99.50
TGG-CFF	1"	FNPT	\$133.55
TGG-CCC	1"	SWT	\$131.04
TGG-DFF	1-1/4"	FNPT	\$197.16
TGG-DCC	1-1/4"	SWT	\$194.02
TGG-EFF	1-1/2"	FNPT	\$219.52
TGG-ECC	1-1/2"	SWT	\$215.30
TGG-FFF	2"	FNPT	\$307.05
TGG-FCC	2"	SWT	\$304.97

- +/- 5% accuracy
- Lead free dezincification brass
- Positive shut-off
- Two pressure/temperature (PT) ports
- 100% leak-tested
- Multi-turn, 360° handwheel and vernier scale and digital readouts
- Precise flow measurement and flow balancing

## TRAB-BFF

FIXED ORIFICE VENTURI, MANUAL BALANCING RECIRCULATION ASSEMBLY

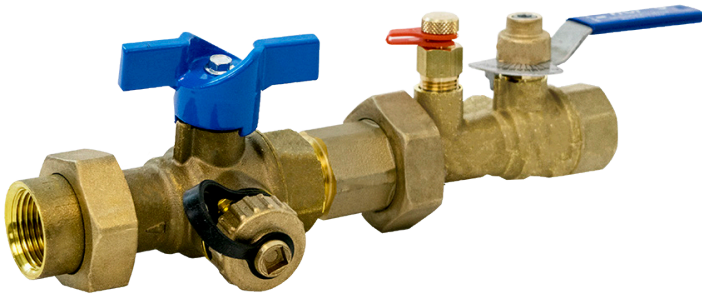


Part Number	Size	Connection	List Price
TRAB-BFF	3/4"	FNPT	\$140.00

- Isolation valve
- Inline check valve
- Venturi type balancing valve
- Direct read balancing valve doubles as an isolation valve
- Design flow range: 0.25 GPM - 1.5 GPM
- Other flow ranges available upon request

## TRAB-BFF-Q

FIXED ORIFICE VENTURI, MANUAL BALANCING RECIRCULATION ASSEMBLY WITH DRAIN

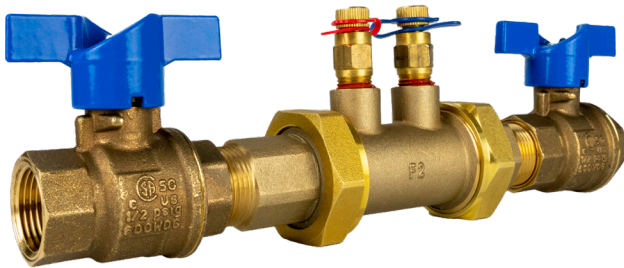


Part Number	Size	Connection	List Price
TRAB-BFF-Q	3/4"	FNPT	\$185.00

- Isolation valve with integrated drain
- Inline check valve
- Venturi type balancing valve
- Direct read balancing valve doubles as an isolation valve
- Design flow range: 0.25 GPM - 1.5 GPM
- Other flow ranges available upon request

## TRAA-BFF

AUTOMATIC BALANCING RECIRCULATION ASSEMBLY

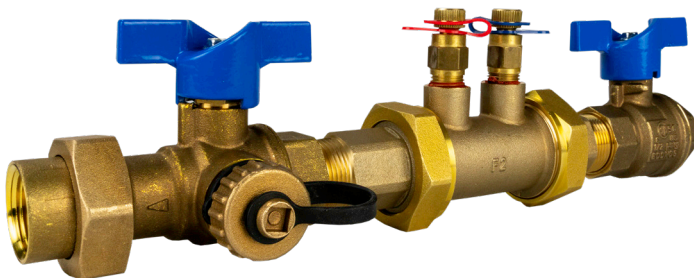


Part Number	Size	Connection	List Price
TRAA-BFF	3/4"	FNPT	\$185.00

- Isolation valves
- Inline check valve
- Stainless steel automatic balancing cartridge
- Design flow rate: 0.5 GPM
- Other flow rates available upon request

## TRAA-BFF-Q

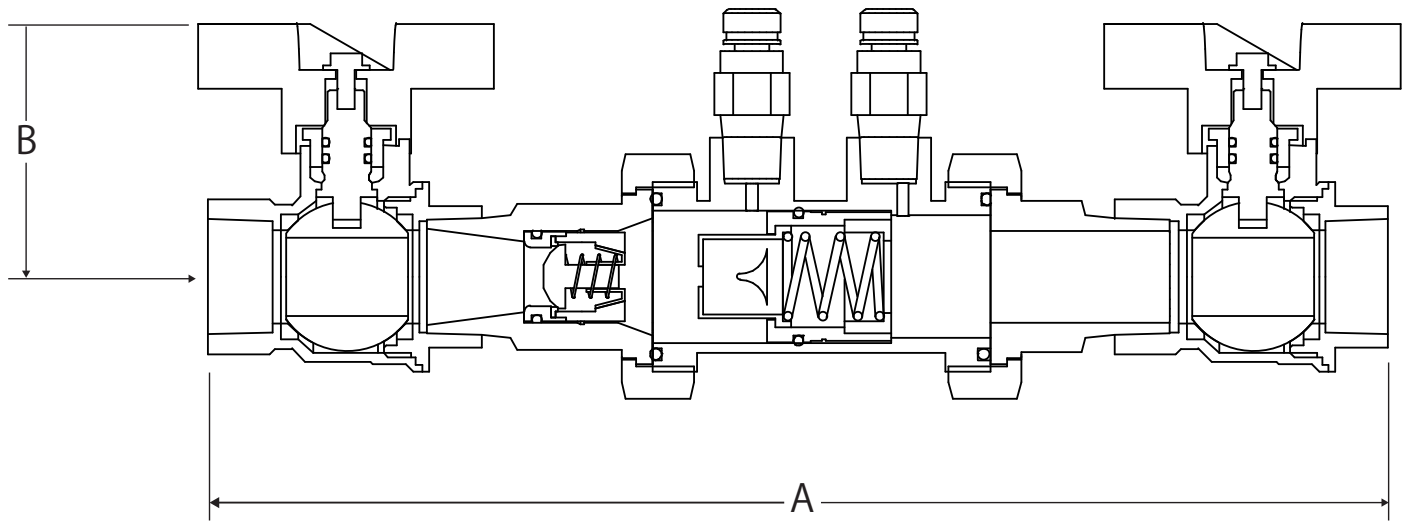
AUTOMATIC BALANCING RECIRCULATION ASSEMBLY WITH DRAIN



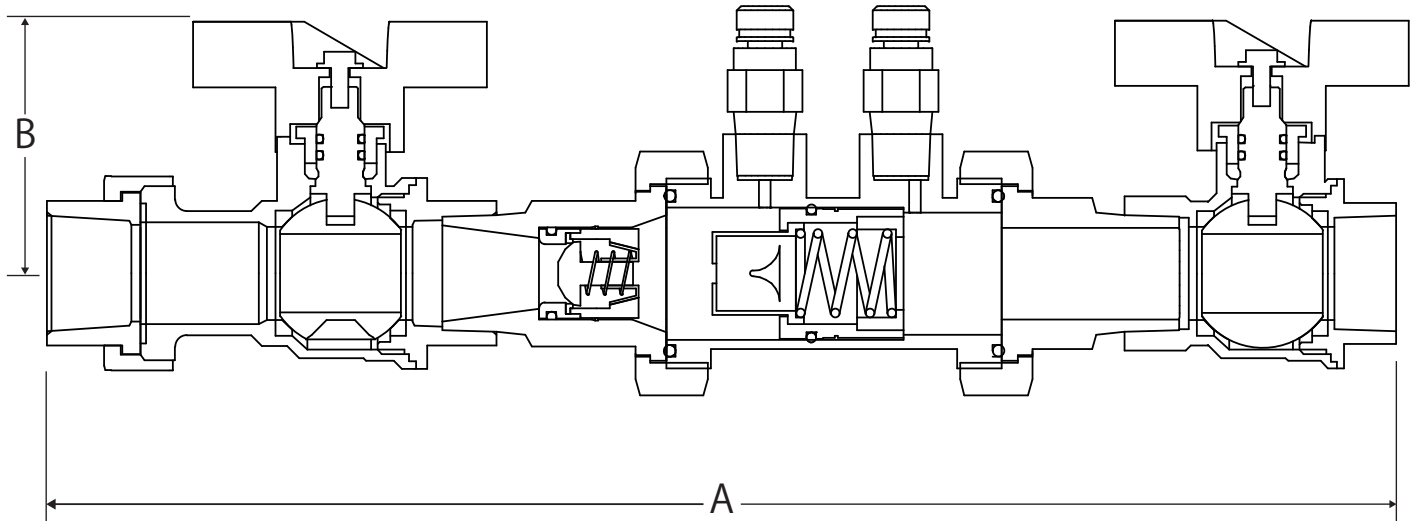
Part Number	Size	Connection	List Price
TRAA-BFF-Q	3/4"	FNPT	\$230.00

- Isolation valves with integrated drain
- Inline check valve
- Stainless steel automatic balancing cartridge
- Design flow rate: 0.5 GPM
- Other flow rates available upon request

## TRAA-BFF



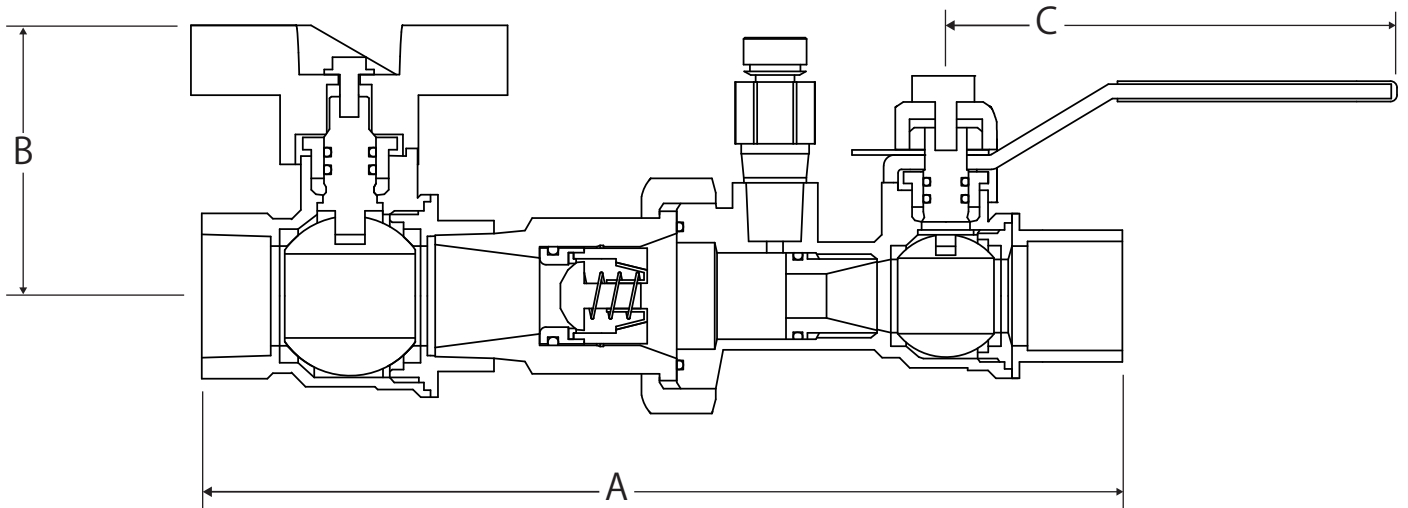
## TRAA-BFF-Q



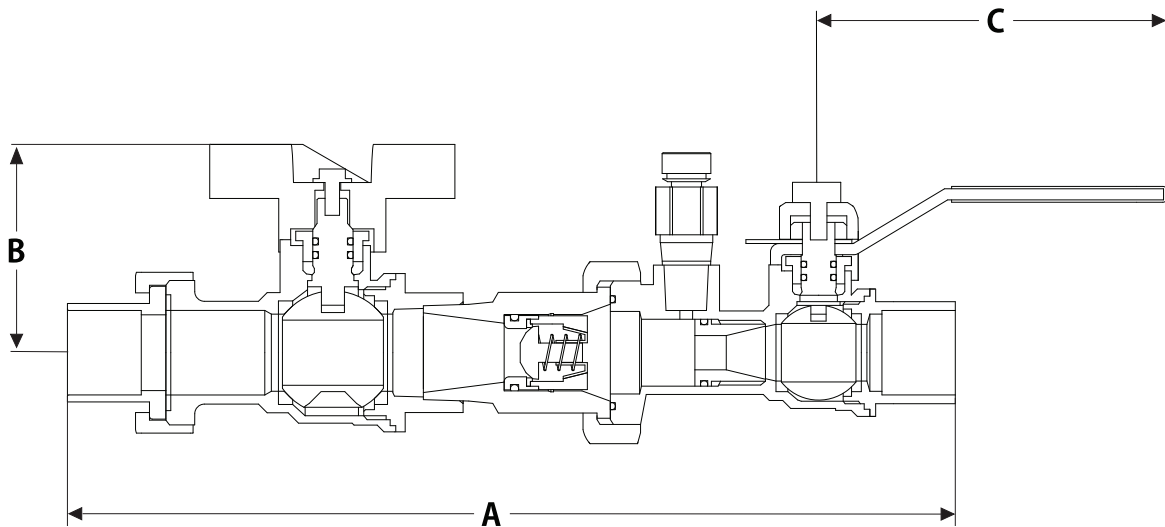
DIMENSIONS		
	TRAA-BFF	TRAA-BFF-Q
<b>A</b>	10.12	11.90
<b>B</b>	2.16	2.17

COMPONENTS	
TRAA-BFF	TRAA-BFF-Q
ISOLATION VALVE	
CHECK VALVE	
AUTOMATIC BALANCING VALVE	
ISOLATION VALVE	ISOLATION & DRAIN VALVE

## TRAB-BFF



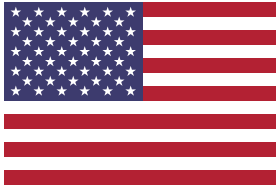
## TRAB-BFF-Q



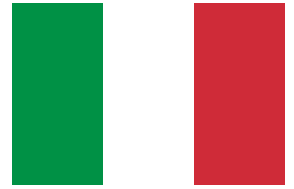
DIMENSIONS		
	TRAB-BFF	TRAB-BFF-Q
<b>A</b>	7.19	8.73
<b>B</b>	2.18	2.16
<b>C</b>	3.64	3.64

COMPONENTS	
TRAB-BFF	TRAB-BFF-Q
ISOLATION VALVE	ISOLATION & DRAIN VALVE
CHECK VALVE	
MANUAL QUARTER TURN BALANCING VALVE / ISOLATION VALVE	





## BUY AMERICAN ACT 41 USC 10A-10D



Many Jomar products comply with the Buy American Act (41 USC 10a-10d). As with all federal building projects before 2009, recipients of the American Recovery and Reinvestment Act of 2009 must comply with the previously established Buy American Act (41 USC 10a-10d) provisions by either certifying that the materials purchased for these projects meet the criteria or apply for a waiver stating that the requirements are consistent with the public interest. All Jomar products produced by Fratelli Pettinaroli meet the criteria for the Buy American Act either by domestic end product definition or public interest exemption through establishment of trade with qualifying countries.

The Buy American Act restricts the purchase of supplies that are not domestic end products. It uses a two-part test to define a domestic end product: 1) the article must be manufactured in the U.S.; and 2) the cost of the domestic components must exceed 50% of the cost of all the components. The Act requires that procurement of covered items in excess of \$3,000, the micro-purchase threshold, for supplies and construction materials must be produced in the U.S., its possessions or qualifying countries that are exempt unless the Contracting Officer determines that satisfactory quality and sufficient quantity "cannot be procured as and when needed at the United States market prices."

The Trade Agreements Act FAR 52.225-12 states further that the Contracting Officer has the authority to approve a waiver to the Buy American Act under several conditions including inconsistency with public interest. The public interest exemption covers materials originating in the following qualifying countries: Australia, Belgium, Canada, Denmark, Egypt, Germany, France, Greece, Israel, Italy, Luxembourg, Netherlands, Norway, Portugal, Spain, Switzerland, Turkey, United Kingdom, Northern Ireland and others.

Please feel free to contact Jomar if you have any questions regarding this important public policy.



7243 MILLER DRIVE, WARREN, MI 48092  
PHONE: (586) 268-1220 | FAX: (586) 979-8315  
EMAIL: [CSR@JOMAR.COM](mailto:CSR@JOMAR.COM) | [WWW.JOMARVALVE.COM](http://WWW.JOMARVALVE.COM)