

SUBMITTAL SHEET

JOB NAME		ITEM TAG
JOB LOCATION		PART NUMBER
CONTRACTOR	DATE	
ENGINEER APPROVAL	DATE	

NO LEAD QUARTER-TURN ANTI-SIPHON FREEZE-RESISTANT SILLCOCK

T-550NL, P-550NL, and T-550PNL

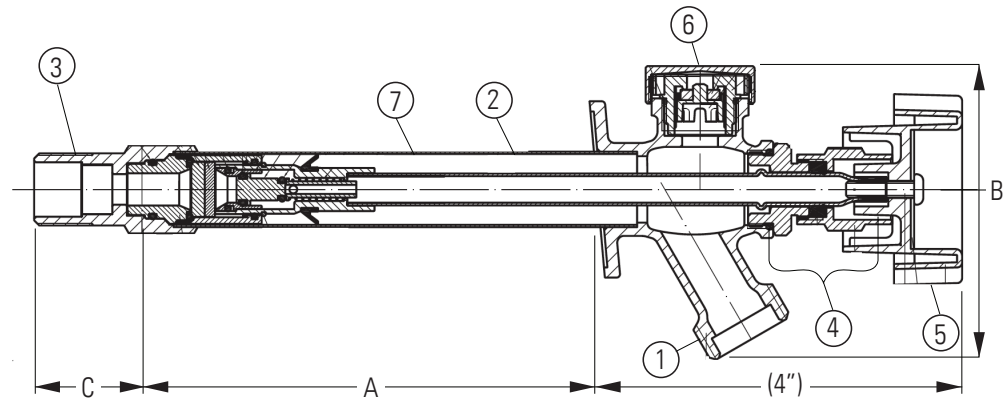
Easy to grip 1/4-turn Softouch™ TPR coated metal handle.
 Patented¹ dual disc cartridge for durable and reliable shut-off.
 Oversized, 5° angled mounting flange for ease of installation. Includes EPDM rubber gasket.
 Integrated anti-siphon vacuum breaker with chrome-plated brass cap
 ASSE 1019-Type A Device.²



MATERIAL SPECIFICATION		
PART	MATERIAL	SPECIFICATION
1 Exterior body	Lead-free brass, chrome plated	UNS Alloy C6802
2 Outer Tube	Lead-free brass, chrome plated	UNS Alloy C27000
3 End Adapter	Lead-free forged brass, chrome plated	UNS Alloy C46400
4 Bonnet nut assembly	Forged brass, chrome plated / Other	UNS Alloy C36000 / Other
5 Handwheel	Aluminum & TPR rubber	--
6 Vacuum breaker assembly	Forged brass / POM	--
7 Stem assembly	Lead-free brass / Other	UNS Alloy C27000 / Other

DIMENSIONS - Inch		
Size	A	B
8"	8"	3.4"
10"	10"	3.4"
12"	12"	3.4"
14"	14"	3.4"

DIMENSIONS - Inch		
Inlet Type	C	
1/2" MNPT / 1/2" Sweat	1.6"	
1/2" PEX (F1807)	1.6"	
1/2" Press	1.2"	
3/4" MNPT / 1/2" FNPT	1.6"	



Pictured:
T-550NL
Cut-away

Certifications/Listings:

Third-party certified
 NSF/ANSI 61: Drinking water system components - Health effects.
 ASSE 1019-A: Performance requirements for wall hydrant with backflow protection and freeze resistance

Standards:

ANSI/ASME B1.20.1: Pipe threads, general purpose, Inch
 ANSI/ASME B16.18: Cast pressure alloy solder-joint pressure fitting
 ASTM F1807: Metal insert fittings utilizing a copper crimp ring or stainless steel clamps.
 ANSI/ASME B16.51: Copper and copper alloy press-connect pressure fittings

¹Patents: US 5,392,805; CAN 2,211,042; D 527,797

²This device must not be subjected to more than 12 hours of continuous water pressure. The hose must be removed in order to prevent damage from freezing.