

## SUBMITTAL SHEET

JOB NAME	ITEM TAG
JOB LOCATION	PART NUMBER
CONTRACTOR	DATE
ENGINEER APPROVAL	DATE

### NO LEAD QUARTER-TURN ANTI-SIPHON FREEZE-RESISTANT SILLCOCK

#### TM-550NL, TM-550PNL, TMP-550NL and TM-550NLP1960

Easy to grip Softouch™ TPR coated metal handle.

Oversized, 5° angled mounting flange for ease of installation. Includes EPDM rubber gasket.

Integrated anti-siphon vacuum breaker with chrome-plated brass cap.

ASSE 1019-Type A Device.<sup>1</sup>

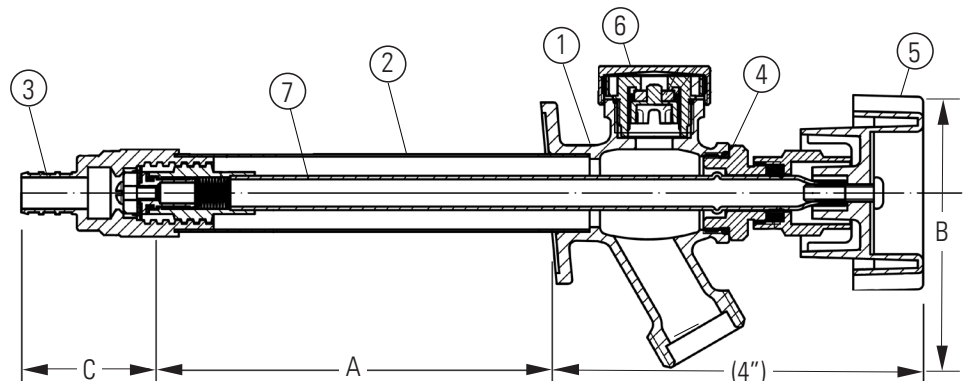


← Extra Wide Flange →

MATERIAL SPECIFICATION		
PART	MATERIAL	SPECIFICATION
1 Exterior body	Lead-free brass, chrome plated	UNS Alloy C6802
2 Outer Tube	Lead-free brass, chrome plated	UNS Alloy C27000
3 End Adapter	Lead-free forged brass, chrome plated	UNS Alloy C46400
4 Bonnet nut assembly	Forged brass, chrome plated	UNS Alloy C36000 / Other
5 Handwheel	Aluminum & TPR rubber	--
6 Vacuum breaker assembly	Forged brass / POM	--
7 Stem assembly	Lead-free brass / Other	UNS Alloy C27000 / Other

DIMENSIONS - Inch		
Size	A	B
4"	4	3.4
6"	6	3.4
8"	8	3.4
10"	10	3.4
12"	12	3.4
14"	14	3.4

DIMENSIONS - Inch		
Inlet Type	C	
1/2" MNPT / 1/2" Sweat	1.06	
1/2" PEX (F1807)	1.12	
1/2" PEX (F1960)	1.25	
1/2" Press	1.81	
3/4" MNPT / 1/2" FNPT	1.12	



#### Certifications/Listings:

Third-party certified  
NSF/ANSI 61: Drinking water system components - Health effects.  
ASSE 1019-A: Performance requirements for wall hydrant with backflow protection and freeze resistance

#### Standards:

ANSI/ASME B1.20.1: Pipe threads, general purpose, Inch  
ANSI/ASME B16.18: Cast pressure alloy solder-joint pressure fitting  
ASTM F1807: Metal insert fittings utilizing a copper crimp ring or stainless steel clamps.  
ASTM F1960: Cold expansion fittings with PEX reinforcing rings.  
ANSI/ASME B16.51: Copper and copper alloy press-connect pressure fittings

**Pictured:**  
TM-550NL  
Cut-away

<sup>1</sup>This device must not be subjected to more than 12 hours of continuous water pressure. The hose must be removed in order to prevent damage from freezing.