

XLE100 and XLE150-SERIES

Explosion-proof Submersible Sewage Pumps for Hazardous Locations

Liberty Pumps®

A Family and Employee Owned Company

X-Series™

1 hp - XLE100-Series

1-1/2 hp - XLE150-Series

2" Solids Handling

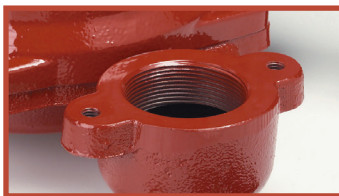
2" or 3" Discharge

Class 1, Division 1, Groups C and D
Class 1, Zone 1, Group IIA and IIB

Features

- Heavy cast iron construction
- Dual shaft seals
- Seal fail sensor
- 2 Vane, semi-open cast iron impeller (bronze optional)
- 303 Stainless-steel rotor shaft
- 1-1/2" Threads provided at power cords for optional conduit connection
- Surface temperature code T4

For use with ISS-Series and
ISD-Series intrinsically safe control panels.
Consult factory for proper control panel sizing.



Dual Sized Discharge
2" or 3"



Patent: See
www.LibertyPumps.com/patents



Meets FM Standards

innovate. evolve.

XLE100-Series and XLE150-Series

Impeller

Cast Iron (standard), bronze option available (order "B" models)

Motor

Submersible type, oil-filled, hermetically sealed

Motor Housing

Class 30 heavy cast iron

Shaft

Dual seals, silicon carbide with BUNA-N elastomers and stainless-steel housing

Bearings

Upper and lower ball bearings

Thermal Protection

1-phase models - built into motor windings with automatic reset. 3-phase models require overloads in the control panel

Capacitor

External run capacitor required in control panel, 1-phase only

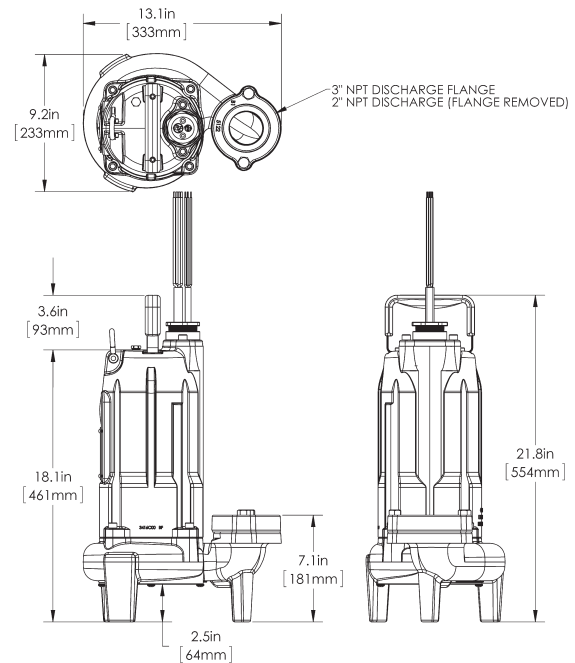
Seal Fail Sensor

Integral moisture sensing probe (functionality requires indicator in control panel - see ISS or ISD-Series control panels)

Max Fluid Temperature

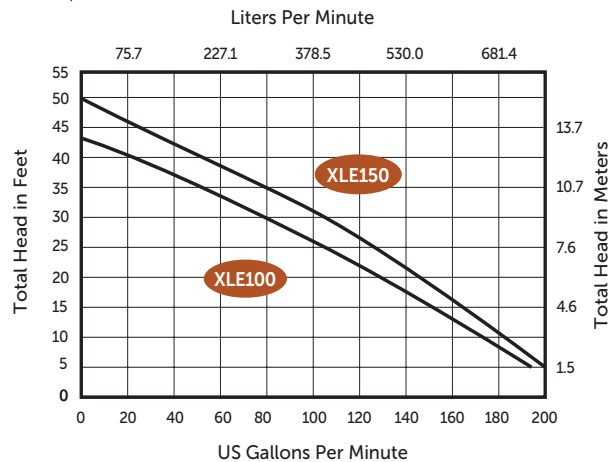
104°F (40°C) Continuous duty

Dimensional Data



Performance Curve

60 Hz, 3450 RPM



MODELS	HP	VOLTS	HZ	PHASE	FULL LOAD AMPS	CAPACITOR KIT	DISCHARGE SIZE	CORD LENGTH	WEIGHT
XLE102M-2	1	208/230	60	1	13.4	K001585	2" & 3"	25'	102 lbs
XLE103M-2	1	208/230	60	3	9	N/A	2" & 3"	25'	102 lbs
XLE104M-2	1	440-480	60	3	4.2	N/A	2" & 3"	25'	102 lbs
XLE105M-2	1	575	60	3	3.2	N/A	2" & 3"	25'	102 lbs
XLE152M-2	1-1/2	208/230	60	1	14	K001585	2" & 3"	25'	102 lbs
XLE153M-2	1-1/2	208/230	60	3	9	N/A	2" & 3"	25'	102 lbs
XLE154M-2	1-1/2	440-480	60	3	4.5	N/A	2" & 3"	25'	102 lbs
XLE155M-2	1-1/2	575	60	3	3.5	N/A	2" & 3"	25'	102 lbs

25' cords standard. For 35' or 50' cords, add "-3" or "-5" suffix respectively. Example: XLE152M-5

Cast iron impeller standard. For bronze impeller add "B" to model number. Example: XLE102BM-2

NOTE: 3-phase models require a control panel with overloads properly sized for the pump. See intrinsically safe control panels ISS-Series (simplex) or ISD-Series (duplex) literature for complete panel information. Consult factory for proper control panel sizing.