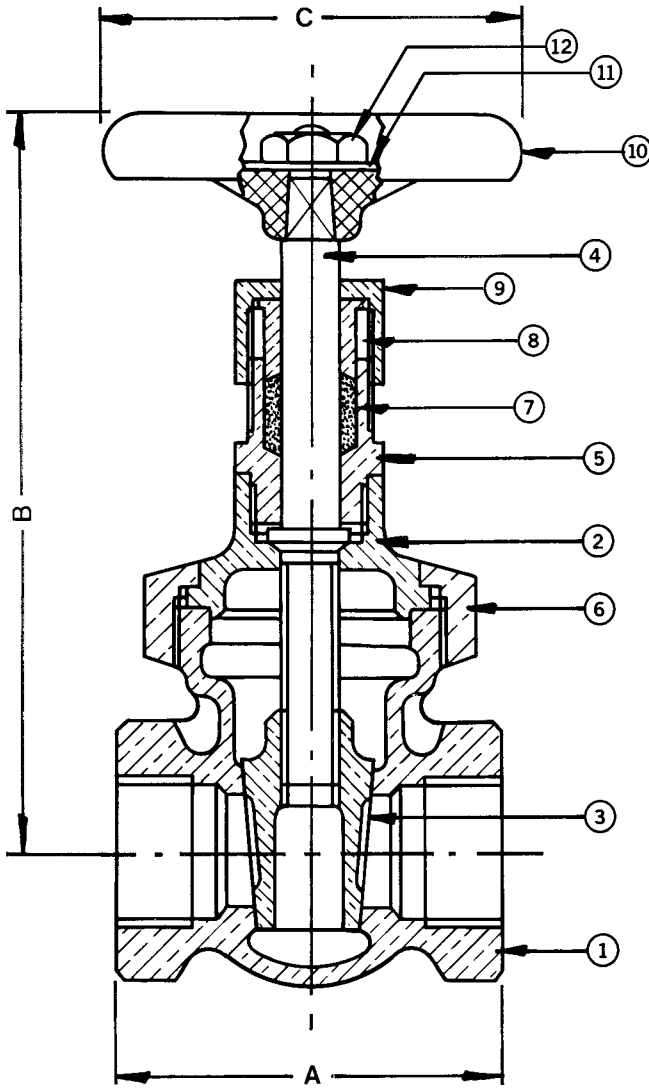


# 1141 1/4"-2"

**Bronze Gate Valve  
150 SWP - 300 WOG †  
Solid Wedge Disc • Non-Rising Stem  
Union Bonnet • Threaded Ends  
Conforms to: MSS SP-80**



Note: Not intended for use in potable water.

MATERIAL LIST			
No.	PART	MATERIAL	SPECIFICATION
1	Body	Bronze	ASTM B62
2	Bonnet	Bronze	ASTM B62
3	Wedge Disc	Bronze	ASTM B62
4	Stem	Bronze	ASTM B62
5	Stuffing Box	Bronze	ASTM B16
6	Union Bonnet Nut	Bronze	ASTM B62
7	Packing	Graphite	Commercial
8	Gland	Brass	ASTM B124 C37700
9	Packing Nut	Brass	ASTM B283 C37700
10	Handwheel	Mall. Iron	Commercial
11	Name Plate	Aluminum	Commercial
12	Handwheel Nut	Brass	Commercial

DIMENSIONS - INCHES/MILLIMETERS					
Units	Size	A	B	C	C <sub>v</sub>
Inches	1/4	1.75	3.69	2.00	5.6
mm		45	94	51	
Inches	3/8	1.88	3.69	2.00	10.7
mm		48	94	51	
Inches	1/2	2.13	4.31	2.50	17.6
mm		54	110	64	
Inches	3/4	2.25	4.56	2.75	32.0
mm		57	116	70	
Inches	1	2.56	5.19	2.75	54.0
mm		65	132	70	
Inches	1 1/4	3.25	5.94	3.44	97.0
mm		83	151	87	
Inches	1 1/2	3.25	6.38	3.75	135.0
mm		83	162	95	
Inches	2	3.63	7.69	4.25	230.0
mm		92	195	108	

† Non-Shock

**INNOVATION** IN EVERY VALVE

The information presented on this sheet is correct at time of publication. Milwaukee Valve reserves the right to change design and/or materials without notice. For our Installation, Operation and Maintenance Manual and the most current product information go to [www.milwaukeevalve.com](http://www.milwaukeevalve.com).  State of California Prop 65 **WARNING:** Cancer and Reproductive Harm. For more information visit [www.p65warnings.ca.gov](http://www.p65warnings.ca.gov).

  
**MILWAUKEE VALVE**