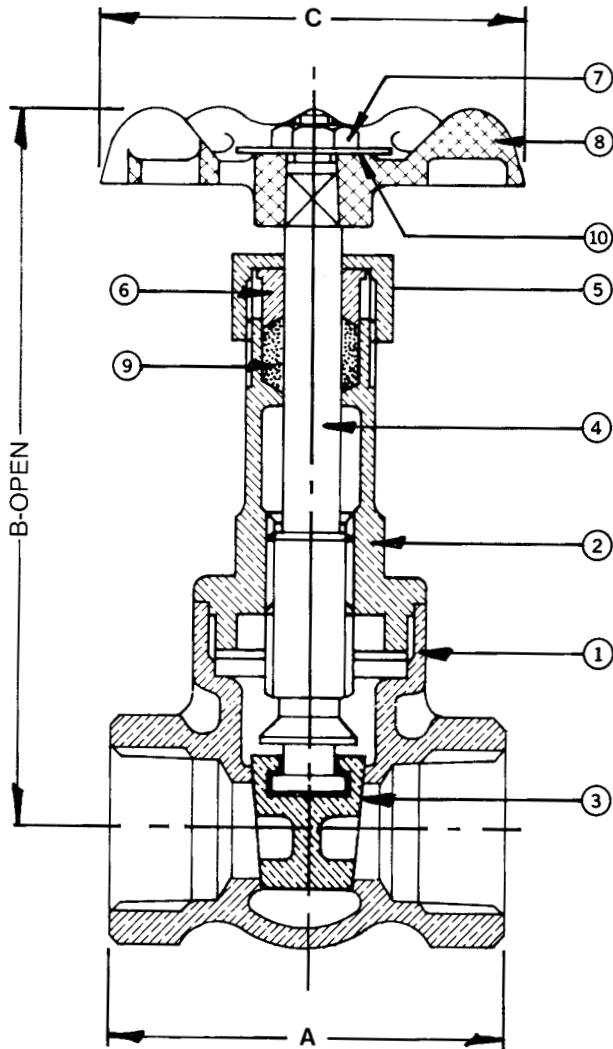


# 148 1/4"-4"

**Bronze Gate Valve**  
**125 SWP - 200 WOG †**  
**Solid Wedge Disc • Rising Stem**  
**Threaded Bonnet • Threaded Ends**  
**Conforms to: MSS SP-80\***



Note: Not intended for use in potable water.

MATERIAL LIST			
No.	PART	MATERIAL	SPECIFICATION
1	Body	Bronze	ASTM B62
2	Bonnet	Bronze	ASTM B62
3	Wedge	Bronze	ASTM B62
4	Stem	Bronze	ASTM B62
5	Packing Nut	Brass	ASTM B283 C37700
6 <sup>1</sup>	Gland	Brass	ASTM B124 C37700
7	Handwheel Nut	Brass	Commercial
8	Handwheel	Mall. Iron	Commercial
9	Packing	Graphite	Commercial
10	Name Plate	Sh. Alum	Commercial

<sup>1</sup> Not used on 1/2" and smaller

DIMENSIONS - INCHES/MILLIMETERS					
Units	Size	A	B	C	C <sub>v</sub>
Inches mm	1/4	1.75 45	4.38 111	2.00 51	5.6
Inches mm	3/8	1.81 46	4.38 111	2.00 51	10.7
Inches mm	1/2	2.00 51	4.38 111	2.00 51	17.6
Inches mm	3/4	2.18 55	5.84 148	2.50 64	32.0
Inches mm	1	2.56 65	7.06 179	2.75 70	54.0
Inches mm	1 1/4	2.78 71	8.78 223	3.44 87	97.0
Inches mm	1 1/2	2.81 72	9.50 241	3.75 95	135.0
Inches mm	2	3.31 84	11.50 292	3.75 95	230.0
Inches mm	2 1/2	4.19 106	14.31 364	4.75 121	337.0
Inches mm	3	4.63 118	16.63 422	5.25 133	536.0
Inches mm	4	5.50 140	15.50 394	5.25 133	960.0

† Non-Shock

\* 4" is not covered in MSS SP-80

**INNOVATION** IN EVERY VALVE

The information presented on this sheet is correct at time of publication. Milwaukee Valve reserves the right to change design and/or materials without notice. For our Installation, Operation and Maintenance Manual and the most current product information go to [www.milwaukeevalve.com](http://www.milwaukeevalve.com).  State of California Prop 65 **WARNING:** Cancer and Reproductive Harm. For more information visit [www.p65warnings.ca.gov](http://www.p65warnings.ca.gov).

  
**MILWAUKEE VALVE**