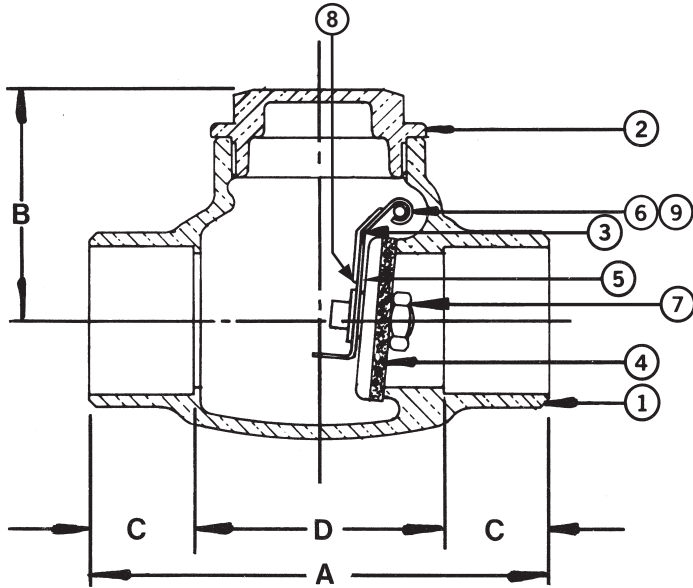


1509/1509T 3/8"-3"

Bronze Check Valve
125 SWP - 200 WOG †
Horizontal Swing • Solder Ends
Conforms to: MSS SP-80



DIMENSIONS - INCHES/MILLIMETERS						
Units	Size	A	B	C	D	C _v
Inches	3/8	2.25	1.32	0.38	1.50	6.0
mm		57	34	10	38.1	
Inches	1/2	2.75	1.32	0.51	1.73	10.0
mm		70	34	13	44	
Inches	3/4	3.31	1.69	0.75	1.75	18.0
mm		84	43	19	45	
Inches	1	4.00	1.97	0.91	2.19	31.0
mm		102	50	23	56	
Inches	1 1/4	4.25	2.16	0.97	2.31	54.0
mm		108	55	25	59	
Inches	1 1/2	4.94	2.41	1.09	2.75	76.0
mm		125	61	28	70	
Inches	2	6.13	2.81	1.34	3.44	131.0
mm		156	72	34	87	
Inches	*2 1/2	7.38	3.63	1.47	4.44	233.8
mm		187	92	37	123	
Inches	*3	8.50	4.19	1.66	5.19	286.4
mm		216	106	42	132	

† Non-Shock

*2 1/2" and 3" not available in the 1509T

MATERIAL LIST			
No.	PART	MATERIAL	SPECIFICATION
1	Body	Bronze	ASTM B62
2	Cap	Bronze	ASTM B62
3	Lever	St. Steel-1509	Commercial 3/8" to 2"
		Bronze-1509	ASTM B584 2 1/2" and 3"
		Brass-1509T	ASTM B16 3/8" to 2"
4	Disc	Brass-1509	ASTM B16 1/4" to 3/4"
			ASTM B453 1" to 1 1/2"
		Bronze-1509	ASTM B62 2" to 3"
5	Disc Holder (1509T Only)	Brass	ASTM B16 3/8" to 3/4"
		Bronze	ASTM B62 1" to 2"
6	Pin	St. Steel	Commercial
7	Disc Nut	Brass	ASTM B16
8	Retaining Ring	St. Steel	Commercial
9	Plug (not shown)	Brass	ASTM B16
10	Washer (not shown)	Brass	ASTM B16

Note: Not intended for use in potable water.

INNOVATION IN EVERY VALVE

The information presented on this sheet is correct at time of publication. Milwaukee Valve reserves the right to change design and/or materials without notice. For our Installation, Operation and Maintenance Manual and the most current product information go to www.milwaukeevalve.com.  State of California Prop 65
WARNING: Cancer and Reproductive Harm. For more information visit www.p65warnings.ca.gov.



MILWAUKEE VALVE