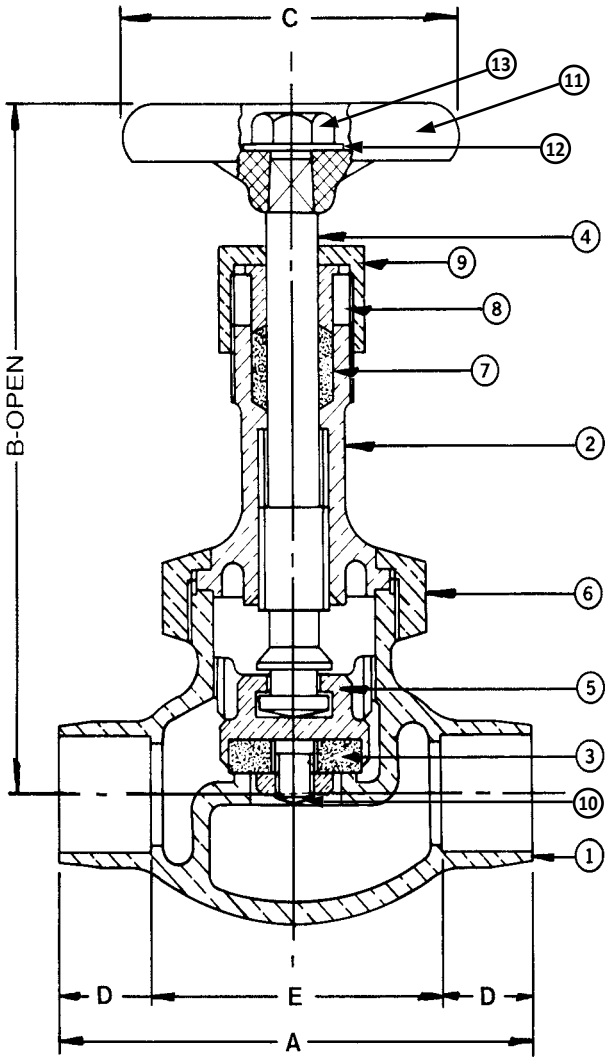


1590T 1/2"-3"

Bronze Globe Valve
150 SWP - 300 WOG †
Teflon Disc
Union Bonnet • Solder Ends
Conforms to: MSS SP-80



MATERIAL LIST			
No.	PART	MATERIAL	SPECIFICATION
1	Body	Bronze	ASTM B62
2	Bonnet	Bronze	ASTM B62
3	Disc	Teflon	
4	Stem	Bronze	ASTM B62
5	Disc Holder	Bronze	ASTM B62
6	Union Bonnet Nut	Bronze	ASTM B62
7	Packing	Graphite	Commercial
8	Gland	Brass	ASTM B16
9	Packing Nut	Brass 1/2"-1 1/4"	ASTM B16
		Bronze 1 1/2"-3"	ASTM B584 or ASTM B62
10	Disc Nut	Brass	ASTM B16
11	Handwheel	Mall. Iron	Commercial
12	Name Plate	Aluminum	Commercial
13	Handwheel Nut	Brass	ASTM B16

DIMENSIONS - INCHES/MILLIMETERS							
Units	Size	A	B	C	D	E	C _v
Inches	1/2	2.75	4.50	2.50	0.50	1.75	3.64
mm		70	114	64	13	45	
Inches	3/4	3.56	5.19	2.75	0.75	2.06	6.65
mm		91	132	70	19	52	
Inches	1	4.38	5.50	3.44	0.91	2.56	11.10
mm		111	140	87	23	65	
Inches	1 1/4	5.00	6.25	3.75	0.97	3.06	20.00
mm		127	159	95	25	78	
Inches	1 1/2	5.88	7.13	3.75	1.09	3.70	28.00
mm		149	181	95	28	94	
Inches	2	7.06	8.88	4.75	1.34	4.38	48.00
mm		179	225	121	34	111	
Inches	2 1/2	8.19	10.63	5.50	1.47	5.25	70.00
mm		64	270	140	37	133	
Inches	3	9.56	12.13	6.00	1.66	6.25	111.00
mm		243	308	152	42	159	

Note: Not intended for use in potable water.

† Non-Shock

INNOVATION IN EVERY VALVE

The information presented on this sheet is correct at time of publication. Milwaukee Valve reserves the right to change design and/or materials without notice. For our Installation, Operation and Maintenance Manual and the most current product information go to www.milwaukeevalve.com.  State of California Prop 65 **WARNING:** Cancer and Reproductive Harm. For more information visit www.p65warnings.ca.gov.



MILWAUKEE VALVE