

20BB/BS Series

1/4" - 2"

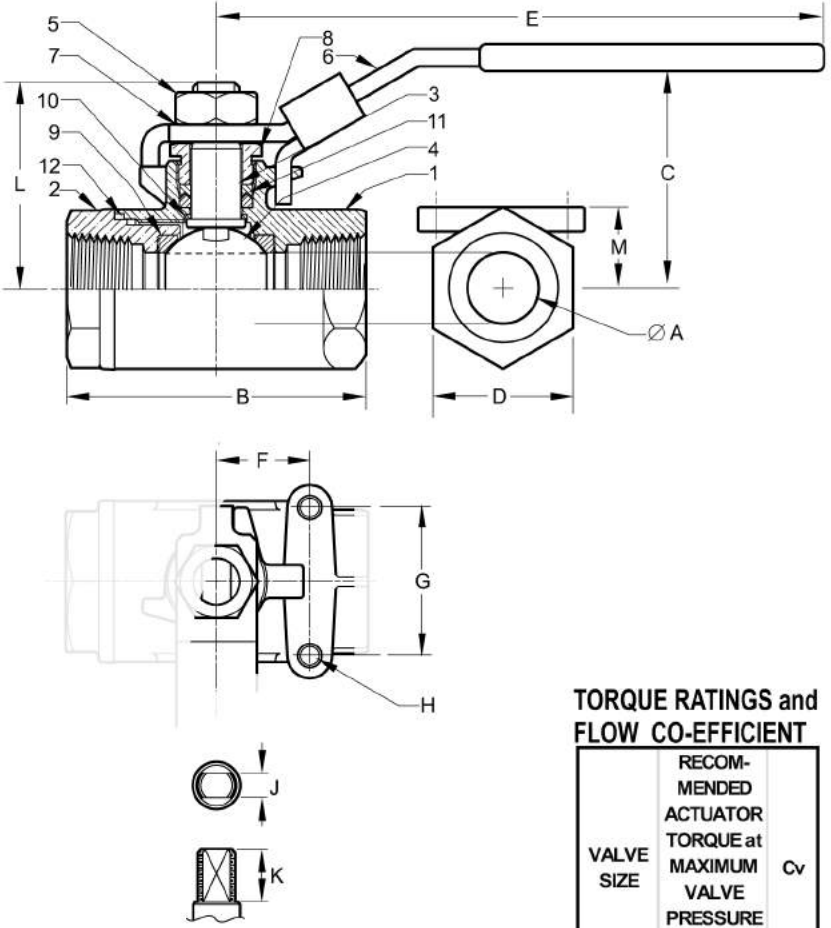
600 WOG / 150 SWP

Specifications: MSS SP110

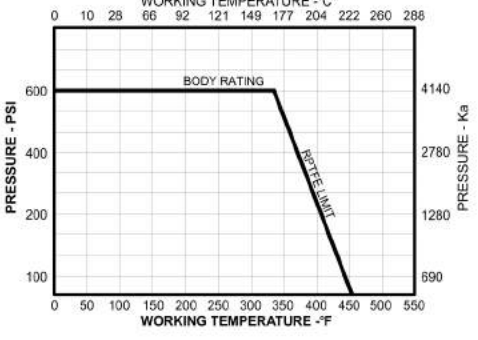
- ASTM Grade Materials Used Throughout
- Standard Port Design
- Low Operating Torque
- Chevron Style Stem Packing
- Locking Oval or Lever Handle Available
- Full Depth N.P.T. Threads
- Standard Actuator Mounting Pads
- Designed per MSS SP 110.

MATERIALS

Item	Part Name	20BBOR-02	20BSOR-02
1	Body	Bronze ASTM-B584 / A744 C84400	
2	Tailpiece	1/4"-3/4"	ASTM B16 C36000
		1"-2"	ASTM B584 C84400
3	Stem	Brass ASTM B16 C36000	Stainless Steel ASTM-A276 Type 316
		ASTM B16 C36000 Hard Chrome Plated	
4	Ball	Stainless Steel Type 316	
5	Handle Nut	Plated Carbon Steel	Stainless Steel Type 18-8
6	Handle	Plated Carbon Steel	Stainless Steel Type 304
7	Lock Washer	Plated Steel	Stainless Steel Type 410
8	Packing Nut	Brass ASTM B16 C36000	
9	Seat	15% Glass Filled PTFE	
10	Thrust Washer		
11	Packing	PTFE	
12	Body/Tailpiece Seal		



PRESSURE / TEMPERATURE CHART



TORQUE RATINGS and FLOW CO-EFFICIENT

VALVE SIZE	RECOMMENDED ACTUATOR TORQUE at MAXIMUM VALVE PRESSURE in. lbs. (Nm)	Cv
1/4 & 3/8	20	6.8
	2.26	
1/2	40	9.8
	4.52	
3/4	50	25
	5.65	
1	100	35
	11.30	
1-1/4	140	47
	15.82	
1-1/2	190	81
	21.47	
2	240	105
	27.12	

DIMENSIONS

NPS		A	B	C	D	E	F	G	H	J	K	L	M
1/4	IN.	0.38	2.09	1.65	.82	4.187	.50	1.12	10-24NC	.196	.390	0.88	.410
	mm	9.5	53.1	41.9	20.8	106.3	12.7	28.4		5.0	9.9	22.2	10.4
3/8	IN.	0.38	2.09	1.65	.82	4.187	.50	1.12	10-24NC	.196	.390	0.88	.410
	mm	9.5	53.1	41.9	20.8	106.3	12.7	28.4		5.0	9.9	22.2	10.4
1/2	IN.	0.50	2.36	1.77	1.06	4.187	.50	1.12	10-24NC	.196	.390	1.00	.57
	mm	12.7	59.9	45.0	26.9	106.3	12.7	28.4		5.0	9.9	25.4	14.5
3/4	IN.	0.69	2.80	2.05	1.34	5.75	.87	1.37	10-24NC	.275	.560	1.25	.750
	mm	17.4	71.1	52.1	34.0	146.1	22.1	34.8		7.0	14.2	31.8	19.1
1	IN.	0.88	3.23	2.24	1.62	5.75	.87	1.37	10-24NC	.275	.560	1.25	0.91
	mm	22.2	82.0	56.9	41.1	146.1	22.1	34.8		7.0	14.2	31.8	23.1
1-1/4	IN.	1.000	3.62	2.48	1.88	7.625	.93	1.50	1/4-20NC	.355	.650	1.38	1.050
	mm	25.4	91.9	63.0	47.8	193.7	23.6	38.1		9.0	16.5	34.9	26.7
1-1/2	IN.	1.25	4.06	2.68	2.25	7.625	.93	1.50	1/4-20NC	.355	.650	1.38	1.250
	mm	31.8	103.1	68.1	57.2	193.7	23.6	38.1		9.0	16.5	34.9	31.8
2	IN.	1.50	4.65	2.91	2.75	7.63	.93	1.50	1/4-20NC	.355	.650	1.38	1.25
	mm	38.1	118.1	73.9	69.9	193.7	23.6	38.1		9.0	16.5	34.9	31.8

The information presented on this sheet is correct at the time of publication. Milwaukee Valve reserves the right to change design, and/or material specifications without notice. For the most current information, access www.milwaukeevalve.com.

