

41SS/41CS SERIES BALL VALVES

Milwaukee Valve Company

Full Port Seal-Welded Fire-Safe Ball Valve

Features and Benefits

- Locking lever for safety lockout
- V-ring stem packing arrangement for longer packing life
- Vented ball in ball slot for cavity venting
- Four bolt actuator mounting pad for easy actuation
- Blow-out proof stem design
- Extended ends allow welding in line w/o disassembly
- Optional Seat materials offer 3000 psig (Peek/Delrin)
- Meets API, ASTM, ASME and MSS standards

Materials of Construction

- Body: Carbon Steel or CF8M Stainless Steel
- Ball: 316 Stainless
- Stem: 316 Stainless
- Seats: PTFE, RPTFE, Multi Filled, Peek, Delrin
- Packing: Graphite or PTFE

Operators Available

- Locking lever handle, Oval handles, Stem Extension
- Pneumatic and Electric Actuation

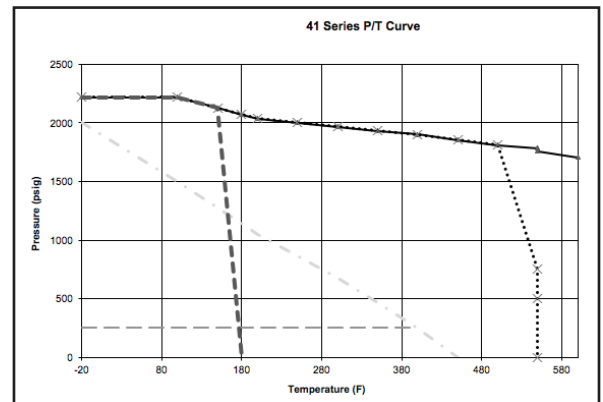
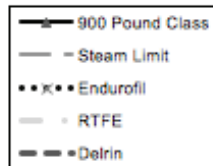


41 Series

Specifications

- ASME/ANSI Class 900
- Meets ASME B16.34 design
- Valves meet API 608
- Valves meet API 607 4th edition for fire safe testing
- Valves tested to API 598 and MSS SP-72
- Valve is rated 150 steam @ 365 degrees F with RPTFE Seats
- Valves meet NACE MRO175
- End Connections: Threaded/Socket-Weld/Ext. Butt-Weld Ends
- Size Range 1/4"-2"

Torque Ratings and CV		
Valve Size Full Port	Maximum Breakaway Torque (in lbs.)	Cv.
1/4-1/2	60	9.8
3/4	110	35
1	130	47
1-1/4	260	81
1-1/2	330	105
2	550	330



How To Order Milwaukee Valve 41 Series Seal Welded 2 Piece Ball Valve								
Series	Body Material	Ball / Stem Material	End Piece Configuration	Port Size	Seat Material	External Options	Internal Options	Size
XX	X	X	X	X	X	XX	XX	XXX
41	C - Carbon Steel (WCB) S - Stainless Steel (CF8M)	S - Stainless Steel (316)	0 - FNPT 1 - Socket Weld 6 - Socket/FNPT B - Extended Butt Welded Sch 40 - 4" Tube Extension	F - Full	01 - Virgin PTFE 02 - Reinforced PTFE (15% Gls.) 03 - Multi-Fill PTFE 04 - UHMWPE 05 - PEEK 07 - Delrin	LL - Stainless Latch-Lock Handle OH - Carbon Steel Oval Handle OS - Stainless Oval Handle LO - Locking SS Oval Handle XH - Extended Handle (2.5")	AD - Assembly Dry GB - Grounded Ball VB - Vented Ball (Uni-Directional)	014 - 1/4" 038 - 3/8" 012 - 1/2" 034 - 3/4" 100 - 1" 114 - 1-1/4" 112 - 1-1/2" 200 - 2"

Example Product Numbers: 41SS0F-02-LL-100 - (1" 41 Series Stainless Steel Body, 316 Stainless Ball and Stem, Full Port, Reinforced PTFE seats, Stainless Latch-Lock Handle)

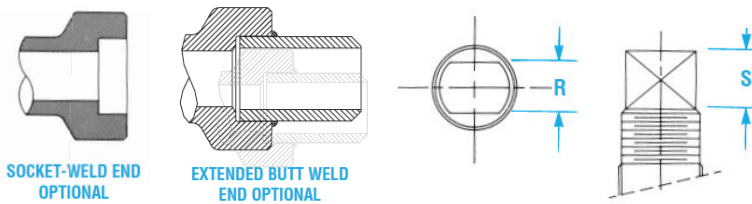
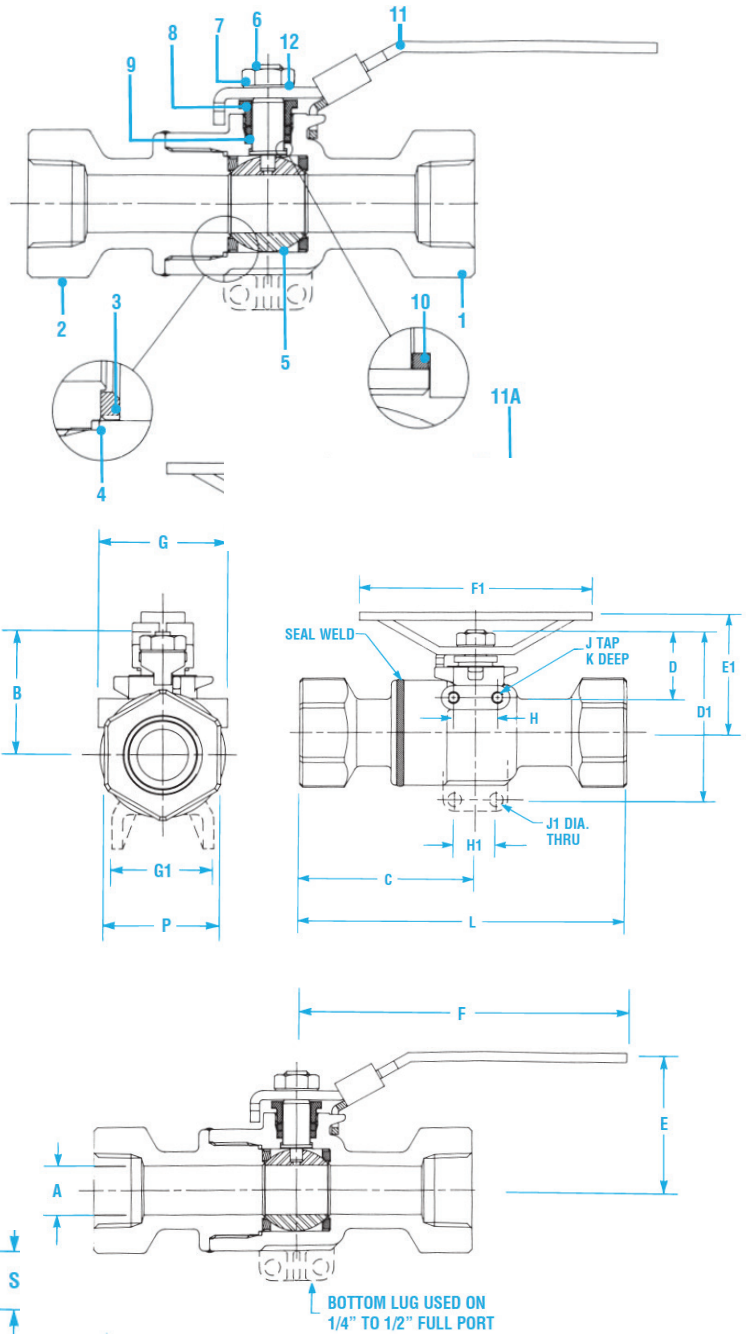


The information presented on this sheet is correct at time of publication. Milwaukee Valve reserves the right to change design and/or materials without notice. For our Installation, Operation and Maintenance Manual and the most current product information go to www.milwaukeevalve.com.

⚠ State of California Prop 65 **WARNING:** Cancer and Reproductive Harm. For more information visit www.p65warnings.ca.gov.

41SS/41CS SERIES BALL VALVES

Material List		
Part	41SS	41CS
1. Body	Stainless Steel ASTM A351/A744 CF3M	Carbon Steel ASTM-A216 GR, WCB
2. Tailpiece	Stainless Steel ASTM A351/A744 CF3M	Carbon Steel ASTM-A216 GR, WCB
3. Ball Seal	Reinforced PTFE 15% Glass Filled	Reinforced PTFE 15% Glass Filled
4. Body/ Tailpiece Seal	PTFE	PTFE
5. Ball	Stainless Steel ASTM A276, Type 316	Stainless Steel ASTM A276, Type 316
6. Stem	Stainless Steel ASTM A276, Type 316	Stainless Steel ASTM A276, Type 316
7. Handle Nut	Stainless Steel 18-8 Commercial	Stainless Steel 18-8 Commercial
8. Gland	Stainless Steel ASTM A276, Type 316	Stainless Steel ASTM A276, Type 316
9. Packing	Graphite	Graphite
10. Thrust Washer	Reinforced PTFE 25% Glass Filled	Reinforced PTFE 25% Glass Filled
11. Handle- Oval	Carbon Steel 1010 Commercial	Carbon Steel 1010 Commercial
11A. Handle- Latch-Lock	Stainless Steel	Stainless Steel
12. Lockwasher	Stainless Steel	Stainless Steel



Dimensions Chart																				
Full Port	A	B	C	D	D1	E	E1	F	F1	G	G1	H	H1	J	J1	K	L	P	R	S
1/4, 3/8, 1/2	.50	1.52	2.72	-	2.41	2.08	2.89	5.8	4.6	-	1.56	-	1.00	-	.28	-	5.1	1.34	.275	.32
3/4	.87	2.38	3.37	1.71	-	2.65	2.78	7.6	4.9	2.56	-	.578	-	1/4-20	-	.28MIN	6.5	1.97	.355	.60
1	1.00	2.51	3.69	1.65	-	2.79	3.91	7.6	4.9	2.83	-	.953	-	1/4-20	-	.28MIN	6.9	2.31	.355	.60
1-1/4	1.25	3.08	3.93	1.88	-	3.51	-	10.0	-	2.83	-	.953	-	1/4-20	-	.28MIN	7.2	2.63	.451	.63
1-1/2	1.50	3.32	5.00	1.82	-	3.75	-	10.0	-	2.75	-	1.719	-	1/4-20	-	.28MIN	8.5	3.25	.451	.63
2	2.00	3.73	5.57	1.79	-	4.16	-	10.0	-	2.75	-	1.719	-	1/4-20	-	.28MIN	9.4	3.81	.451	.63

The information presented on this sheet is correct at time of publication. Milwaukee Valve reserves the right to change design and/or materials without notice. For our Installation, Operation and Maintenance Manual and the most current product information go to www.milwaukeevalve.com.
 ⚠ State of California Prop 65 **WARNING:** Cancer and Reproductive Harm. For more information visit www.p65warnings.ca.gov.