

QUARTER-TURN ELECTRIC ACTUATOR TYPE AT

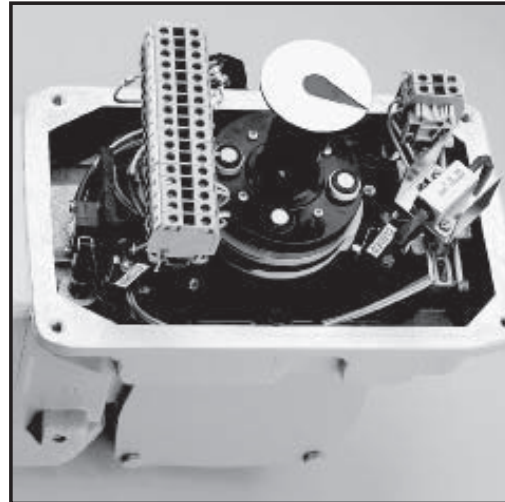
DESCRIPTION:

The AT range offers a selection of heavy duty compact quarter turn actuators designed to operate all kinds of ball, butterfly valves, as well as large industrial dampers, maintenance free for many years:

largely dimensioned final worm and quadrant gear reduction (totally self locking), easy to adjust, precise and vibration proof end of travel system and torque limiting device, heavy duty single or 3 phases motors protected by thermal overload, easy to operate manual handwheel, easy to read position indicator, ISO flange and removable socket permits direct or indirect mounting on any type of quarter-turn valve.

SPECIFICATIONS:

Self-locking quarter-turn, watertight body to NEMA 4, 4X & 6, proportional position indicator, **S4-30%** duty rating motor, class F insulated, 2 end of travel switches and 2 auxilliary limit switches (dry contacts) adjustable over the whole travel, 2 independently adjustable torque limit switches, anti-condensation heater, 2 adjustable mechanical stops, thermal protection, emergency handwheel mounted on the final reduction stage, 2 conduit entries, ISO F07/F10 combined flange.



TECHNICAL DATA

Type	Torque in-lbs	Operating time s/90°	Flange ISO
AT25	2,225	15 - 25 - 50	F07/10
AT50	4,500	25	F10/07
AT100	8,850	24	F12
AT200	22,125	29-59	F16
AT400	35,400	53	F16

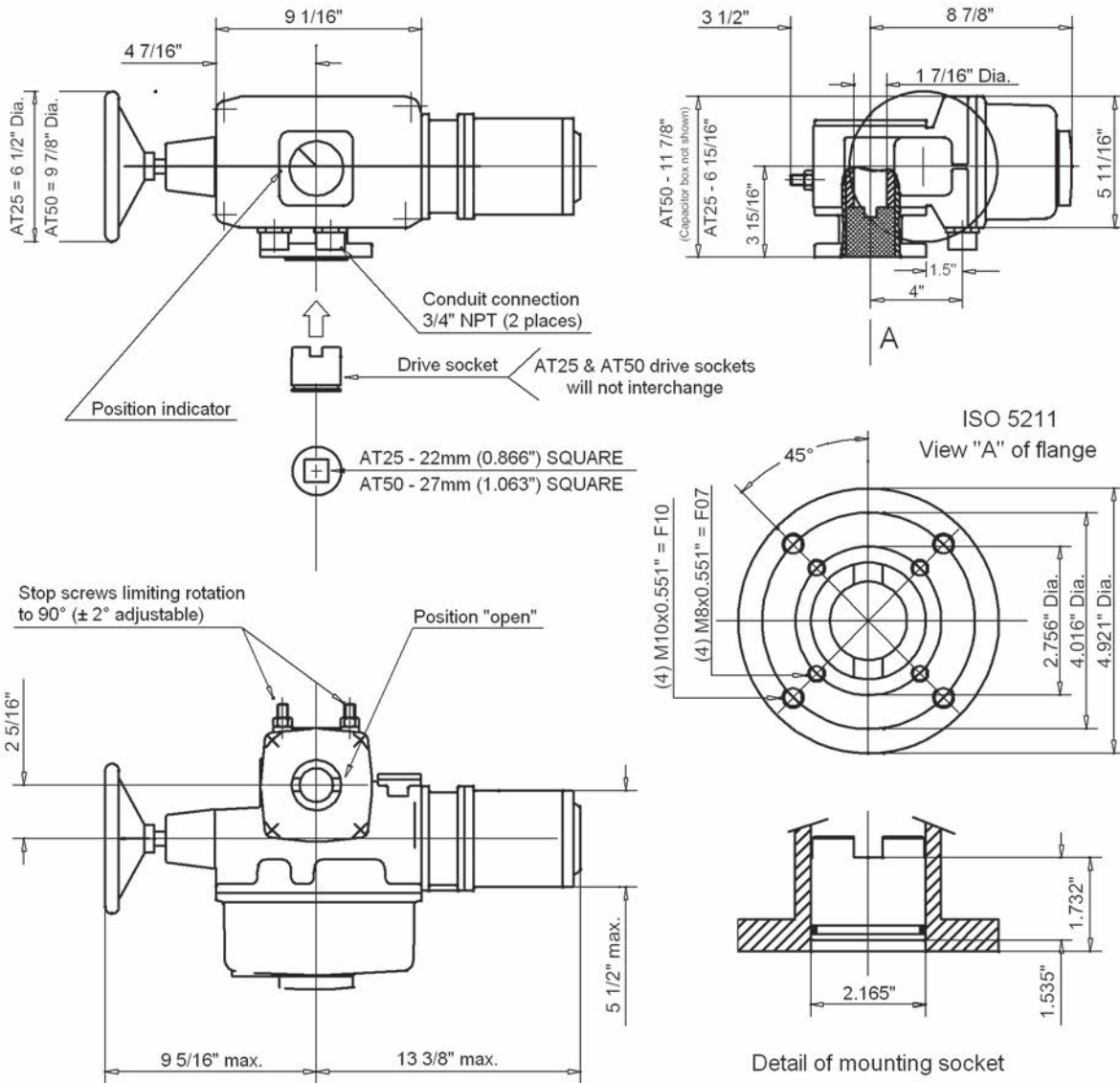
OPTIONS:

- ☞ Position sensor by potentiometer 1000 Ω
- ☞ Position transmitter 4-20 mA
- ☞ INTEGRAL+ control
- ☞ MiniGAM+ or PosiGAM+ positioner
- ☞ Special needs: ask us



AT 25/50 Series

DIMENSIONAL DRAWING:



NET WEIGHT

AT25 - 35 lbs

AT50 - 40 lbs

Note: AT50 sockets have 4 claws.

