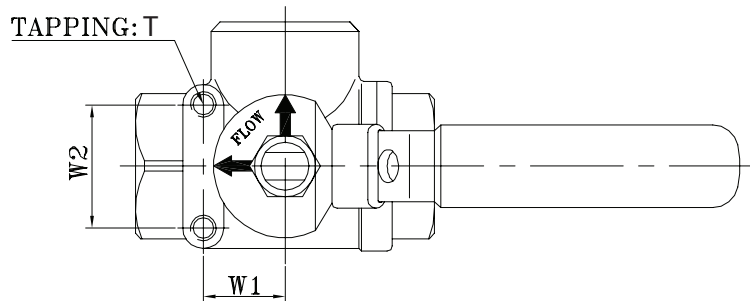
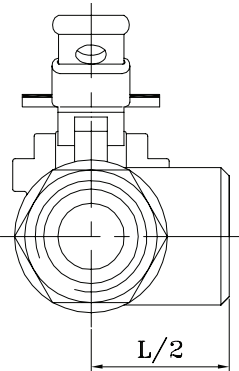
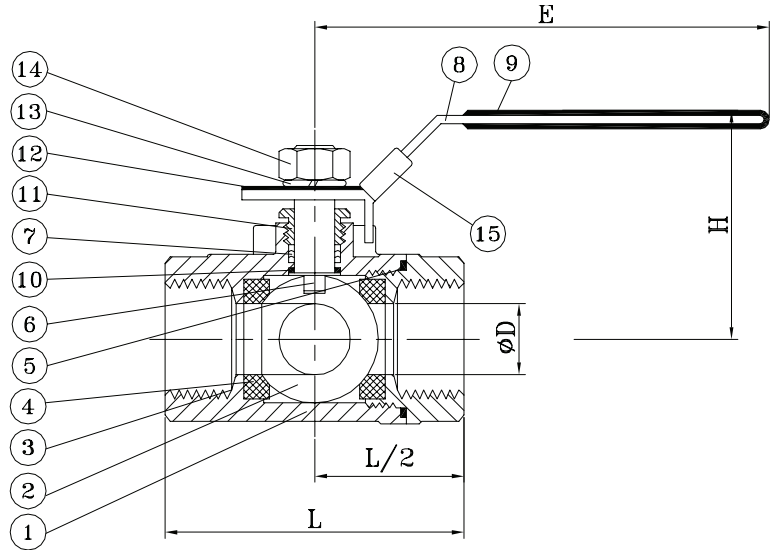


BA3WDSLH

STAINLESS STEEL BODY
 3-WAY DIVERTER, SINGLE REDUCED PORT
 1000# WOG 3/8"-2"
 "L" PORT, FNPT ENDS, PTFE PACKING,
 LOCKING HANDLE

MATERIALS LIST

ITEM	PART	MATERIALS
1	Body	ASTM A351 GR.CF8M
2	Ball	ASTM A351 GR.CF8M
3	End Cap	ASTM A351 GR.CF8M
4	Seat	RTFE
5	Body Seal	PTFE
6	Stem	SS316
7	Stem Packing	PTFE
8	Handle	SS304
9	Handle Cover	Plastic
10	Thrust Washer	PTFE
11	Gland Nut	SS304
12	Flow Indicator	SS304
13	Handle Washer	SS304
14	Handle Nut	SS304
15	Locking Pad	SS304



DIMENSIONS

	UNITS	3/8"	1/2"	3/4"	1"	1 1/4"	1 1/2"	2"
ØD	INCHES	0.50	0.50	0.63	0.77	0.98	1.27	1.50
	MM	13	13	16	20	25	32	38
L	INCHES	2.36	2.36	2.99	3.39	3.82	4.49	5.59
	MM	60	60	76	86	97	114	142
H	INCHES	2.20	2.20	2.52	2.60	2.76	3.36	3.46
	MM	56	56	64	66	70	85	88
E	INCHES	3.90	3.90	4.92	4.95	5.71	5.71	8.07
	MM	99	99	125	126	145	145	205
W1	INCHES	0.59	0.59	0.75	0.84	0.87	1.00	1.18
	MM	15	15	19	21	22	25	30
W2	INCHES	1.12	1.12	1.38	1.38	1.38	1.50	1.50
	MM	29	29	35	35	35	38	38
T		10-24 UNC	10-24 UNC	10-24 UNC	10-24 UNC	10-24 UNC	1/4"-20 UNC	1/4"-20 UNC

The information presented on this sheet is correct at time of publication. Milwaukee Valve reserves the right to change design and/or materials without notice. For our Installation, Operation and Maintenance Manual and the most current product information go to www.milwaukeevalve.com.
 ⚠ State of California Prop 65 **WARNING:** Cancer and Reproductive Harm. For more information visit www.p65warnings.ca.gov.

